

INDEX ŠEMA

| | | | | |
|------------------------|--|-----------------------|--|----------------------|
| A | | C | | LA4032(P) . . . 302 |
| AN | | CXA | | LA4050P . . . 303 |
| AN272 273 | | CXA1005P . . . 287 | | LA4051P . . . 303 |
| AN313 273 | | CXA1034P . . . 287 | | LA4178. 303 |
| AN374 274 | | CXA8008P . . . 287 | | LA4183-BTL . . . 304 |
| AN5260 274 | | | | LA4185-BTL . . . 304 |
| AN7105 275 | | H | | LA4195. 305 |
| AN7110 275 | | HA | | LA4260. 305 |
| AN7130 275 | | HA1306(W) . . . 288 | | LA4261. 305 |
| AN7111 276 | | HA1310 288 | | LA4265. 306 |
| AN7120 276 | | HA1313 288 | | LA4270. 305 |
| AN7131 276 | | HA1314 288 | | LA4280. 306 |
| AN7140 276 | | HA1316 288 | | LA4440BTL . . . 307 |
| AN7150 277 | | HA1317(V,W). . . 289 | | LA4425. 308 |
| AN7154 277 | | HA1322(W) . . . 289 | | LA4445BTL . . . 308 |
| AN7158 277 | | HA1324 290 | | LA4465. 309 |
| AN7166 277 | | HA1325V 290 | | LA4466. 309 |
| AN7161N 278 | | HA1338 291 | | LA4507. 309 |
| AN7169 278 | | HA1345V 291 | | LA4570M 310 |
| AN7176 278 | | HA1361 292 | | LM |
| AN7171NK 279 | | HA1368 292 | | LM1875 311 |
| AN7173NK 279 | | HA1368R 292 | | M |
| AN7177 279 | | HA1371 293 | | MB |
| AN7188K 280 | | HA1372 293 | | MB3735 311 |
| | | HA1384 294 | | MB3737 312 |
| B | | HA1388 294 | | MB3742 312 |
| BA | | HA1389 294 | | |
| BA511 280 | | HA1389R 294 | | S |
| BA521 280 | | HA1394 295 | | STK |
| BA532 280 | | HA1396 295 | | STK040 313 |
| BA514 281 | | HA13104 296 | | STK043 313 |
| BA515 281 | | HA13115 296 | | STK055 314 |
| BA524 282 | | | | STK057 314 |
| BA534 282 | | K | | STK060 314 |
| BA526 282 | | KA | | STK067 314 |
| BA527 282 | | KA2202 297 | | STK071 315 |
| BA546 282 | | KA2207 297 | | STK078-105 . . . 315 |
| BA518 283 | | KA2204 297 | | STK400-010 . . . 316 |
| BA547 283 | | KA2205 298 | | STK400-020 . . . 316 |
| BA5204 283 | | KA22135 298 | | STK400-030 . . . 316 |
| BA5204F 283 | | KA22131 299 | | STK400-040 . . . 316 |
| BA3516 284 | | | | STK400-040 . . . 316 |
| BA3506A 284 | | L | | STK400-050 . . . 316 |
| BA5206BF. 284 | | L | | STK400-060 . . . 316 |
| BA5302A 285 | | L 149 300 | | STK400-070 . . . 316 |
| BA5304 285 | | L165 300 | | STK400-080 . . . 316 |
| BA5410 285 | | L2750 301 | | STK400-090 . . . 316 |
| BA5404 286 | | L272M 302 | | STK401-010 . . . 317 |
| BA5408 286 | | | | STK401-020 . . . 317 |
| BA54021 286 | | LA | | STK401-030 . . . 317 |
| | | LA4030(P). . . . 302 | | STK401-040 . . . 317 |
| | | LA4031(P). . . . 302 | | |

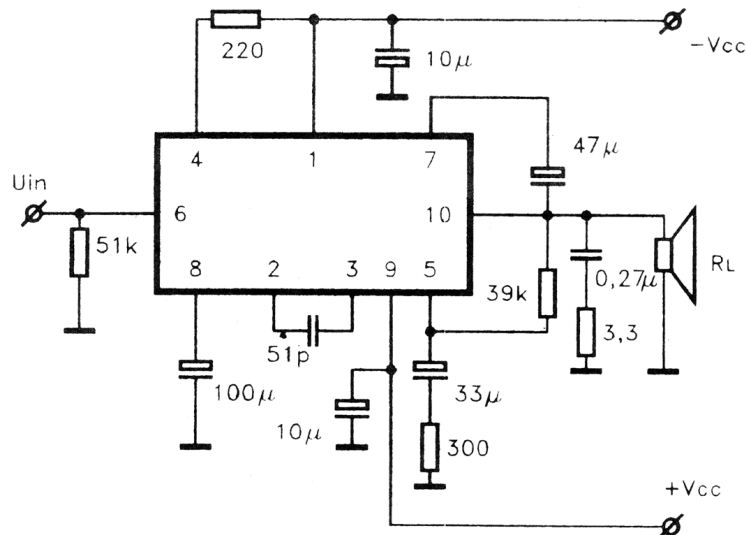
INDEX ŠEMA

| | | | | | |
|------------------|-----|-----------------|-----|-----------------|-----|
| STK401-050 . . . | 317 | STK4036XI . . . | 324 | STK4174MK2. . . | 332 |
| STK401-060 . . . | 317 | STK4038XI . . . | 324 | STK4184MK2. . . | 332 |
| STK401-070 . . . | 317 | STK4040XI . . . | 324 | STK4194MK2. . . | 332 |
| STK401-080 . . . | 317 | STK4042XI . . . | 324 | STK4144MK5. . . | 333 |
| STK401-090 . . . | 317 | STK4044XI . . . | 324 | STK4154MK5. . . | 333 |
| STK401-210 . . . | 318 | STK4046II . . . | 325 | STK4164MK5. . . | 333 |
| STK401-220 . . . | 318 | STK4048II . . . | 325 | STK4174MK5. . . | 333 |
| STK401-230 . . . | 318 | STK4050II . . . | 325 | STK4184MK5. . . | 333 |
| STK401-240 . . . | 318 | STK4046V. . . | 326 | STK4194MK5. . . | 333 |
| STK401-250 . . . | 318 | STK4048V. . . | 326 | STK4145MK2. . . | 334 |
| STK401-260 . . . | 318 | STK4050V. . . | 326 | STK4155MK2. . . | 334 |
| STK401-270 . . . | 318 | STK4046XI . . . | 327 | STK4165MK2. . . | 334 |
| STK401-280 . . . | 318 | STK4048XI . . . | 327 | STK4175MK2. . . | 334 |
| STK401-290 . . . | 318 | STK4100MK2. . . | 328 | STK4185MK2. . . | 334 |
| STK430II . . . | 319 | STK4110MK2. . . | 328 | STK4195MK2. . . | 334 |
| STK433 . . . | 320 | STK4120MK2. . . | 328 | STK4145MK5. . . | 335 |
| STK433-105 . . . | 320 | STK4130MK2. . . | 328 | STK4155MK5. . . | 335 |
| STK441-105 . . . | 320 | STK4140MK2. . . | 328 | STK4165MK5. . . | 335 |
| STK4024II. . . | 321 | STK4150MK2. . . | 328 | STK4175MK5. . . | 335 |
| STK4026II. . . | 321 | STK4160MK2. . . | 328 | STK4185MK5. . . | 335 |
| STK4028II. . . | 321 | STK4170MK2. . . | 328 | STK4195MK5. . . | 335 |
| STK4030II. . . | 321 | STK4180MK2. . . | 328 | STK4151V. . . | 336 |
| STK4032II. . . | 321 | STK4190MK2. . . | 328 | STK4161V. . . | 336 |
| STK4034II. . . | 321 | STK4100MK5. . . | 329 | STK4171V. . . | 336 |
| STK4036II. . . | 321 | STK4110MK5. . . | 329 | STK4181V. . . | 336 |
| STK4038II. . . | 321 | STK4120MK5. . . | 329 | STK4191V. . . | 336 |
| STK4040II. . . | 321 | STK4130MK5. . . | 329 | STK4159MK2. . . | 337 |
| STK4042II. . . | 321 | STK4140MK5. . . | 329 | STK4169MK2. . . | 337 |
| STK4044II. . . | 321 | STK4150MK5. . . | 329 | STK4179MK2. . . | 337 |
| STK4024V. . . | 322 | STK4160MK5. . . | 329 | STK4189MK2. . . | 337 |
| STK4026V. . . | 322 | STK4170MK5. . . | 329 | STK4199MK2. . . | 337 |
| STK4028V. . . | 322 | STK4180MK5. . . | 329 | STK4176X. . . | 338 |
| STK4030V. . . | 322 | STK4190MK5. . . | 329 | STK4186X. . . | 338 |
| STK4032V. . . | 322 | STK4102II. . . | 330 | STK4196X. . . | 338 |
| STK4034V. . . | 322 | STK4112II. . . | 330 | STK4206X. . . | 338 |
| STK4036V. . . | 322 | STK4122II. . . | 330 | STK4216X. . . | 338 |
| STK4038V. . . | 322 | STK4132II. . . | 330 | STK4200MK5. . . | 339 |
| STK4040V. . . | 322 | STK4142II. . . | 330 | STK4210MK5. . . | 339 |
| STK4042V. . . | 322 | STK4152II. . . | 330 | STK4220MK5. . . | 339 |
| STK4044V. . . | 322 | STK4162II. . . | 330 | STK4230MK5. . . | 339 |
| STK4028X. . . | 323 | STK4172II. . . | 330 | STK4201II. . . | 340 |
| STK4030X. . . | 323 | STK4182II. . . | 330 | STK4211II. . . | 340 |
| STK4032X. . . | 323 | STK4192II. . . | 330 | STK4221II. . . | 340 |
| STK4034X. . . | 323 | STK4121V. . . | 331 | STK4231II. . . | 340 |
| STK4036X. . . | 323 | STK4131V. . . | 331 | STK4241II. . . | 340 |
| STK4038X. . . | 323 | STK4141V. . . | 331 | STK4201X. . . | 341 |
| STK4040X. . . | 323 | STK4144MK2. . . | 332 | STK4211X. . . | 341 |
| STK4042X. . . | 323 | STK4154MK2. . . | 332 | STK4204MK2. . . | 342 |
| STK4044X. . . | 323 | STK4164MK2. . . | 332 | STK4214MK2. . . | 342 |

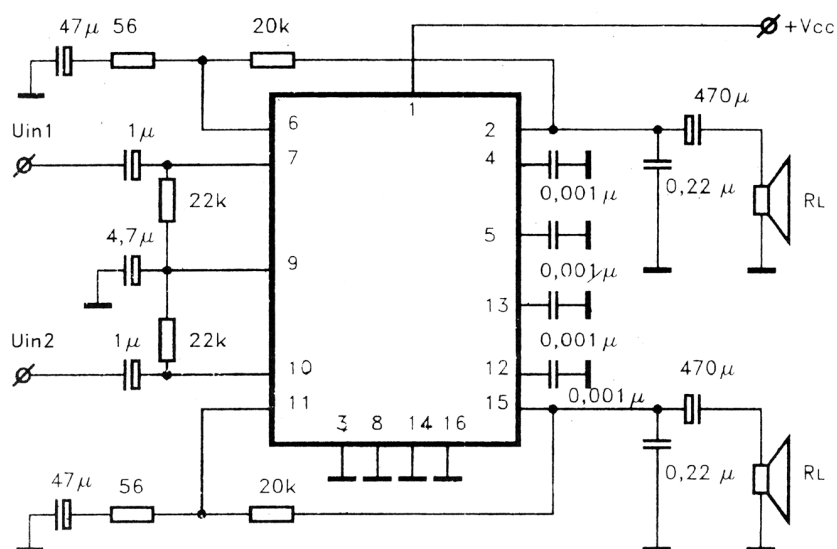
INDEX ŠEMA

| | | | | | |
|------------------------|-----|------------------------|-----|---------------------|-----|
| STK4224MK2. | 342 | TA7268P | 352 | TDA7350 | 382 |
| STK4234MK2. | 342 | TA7269P | 357 | TDA7353 | 383 |
| STK4204MK5. | 342 | TA7274P | 358 | TDA7360 | 384 |
| STK4214MK5. | 343 | TA7275P | 358 | TDA7365 | 381 |
| STK4224MK5. | 343 | TA7281P | 357 | TDA7370 | 385 |
| STK4234MK5. | 343 | TA7286 | 357 | TDA7374 | 386 |
| STK4205MK2. | 344 | TA7331P | 359 | TDA7375 | 386 |
| STK4215MK2. | 344 | TA7336P | 359 | TDA7376B | 387 |
| STK4225MK2. | 344 | TA7376P | 360 | TDA7396 | 387 |
| STK4235MK2. | 344 | TA7625F | 360 | | |
| STK4205MK5. | 345 | TA7628P | 361 | U | |
| STK4215MK5. | 345 | TA8111P | 361 | U | |
| STK4225MK5. | 345 | TA8200AH | 362 | U410B | 388 |
| STK4235MK5. | 345 | TA8216P | 362 | U411B | 388 |
| STK4209MK2. | 346 | TA8238K | 363 | U413B | 388 |
| STK4219MK2. | 346 | | | U413B-FP | 388 |
| STK4229MK2. | 346 | TCA | | U420B | 388 |
| STK4239MK2. | 346 | TCA150 | 363 | U821B | 388 |
| STK4773 | 347 | TCA365 | 364 | U2822B | 389 |
| STK4793 | 347 | TCA1004 | 365 | U2823B | 389 |
| STK4803 | 347 | | | ULN2283B | 389 |
| STK4813 | 347 | TDA | | ULN3705M | 389 |
| STK4833 | 347 | TDA1045 | 365 | | |
| STK4843 | 347 | TDA1051 | 366 | μ | |
| STK4853 | 347 | TDA1100(SP). | 366 | μPC | |
| STK4863 | 347 | TDA1308T. | 367 | μPC563 | 390 |
| STK4873 | 347 | TDA1560Q | 367 | μPC571H | 390 |
| STK4893 | 347 | TDA2004 | 368 | μPC576H | 391 |
| STK4913 | 347 | TDA2005 | 368 | μPC1020 | 391 |
| | | TDA2007A BTL | 368 | μPC1030H | 392 |
| SVI | | TDA2008 | 369 | μPC1155H | 392 |
| SVI3101C | 348 | TDA2009(S) | 370 | μPC1177H | 392 |
| SVI3102C | 349 | TDA2009(A) | 370 | μPC1188H | 393 |
| T | | TDA2051 | 371 | μPC1212 | 393 |
| TA | | TDA2052 | 371 | μPC1241 | 394 |
| TA7066P | 350 | TDA2824 | 372 | μPC1242 | 394 |
| TA7092P | 350 | TDA2824S | 373 | μPC1260G | 394 |
| TA7140P | 351 | TDA7055Q | 374 | μPC1274V. | 395 |
| TA7200P | 351 | TDA7230A | 374 | μPC1310V. | 395 |
| TA7203P | 352 | TDA7236 | 375 | μPC1316 | 396 |
| TA7210P | 352 | TDA7241 | 375 | μPC1318AV | 396 |
| TA7214P | 353 | TDA7245 | 376 | μPC1331V. | 397 |
| TA7313A(P) | 353 | TDA7256 | 376 | μPC1332V. | 397 |
| TA7223P | 354 | TDA7250 | 377 | μPC2500H | 397 |
| TA7237P(AP). | 354 | TDA7261 | 378 | | |
| TA7238P | 355 | TDA7262 | 378 | | |
| TA7240AP-BTL | 355 | TDA7263 | 379 | | |
| TA7250P(AP). | 356 | TDA7264 | 379 | | |
| TA7251BP. | 356 | TDA7265 | 380 | | |
| TA7252P(AP). | 356 | TDA7285 | 380 | | |
| | | TDA7294 | 381 | | |

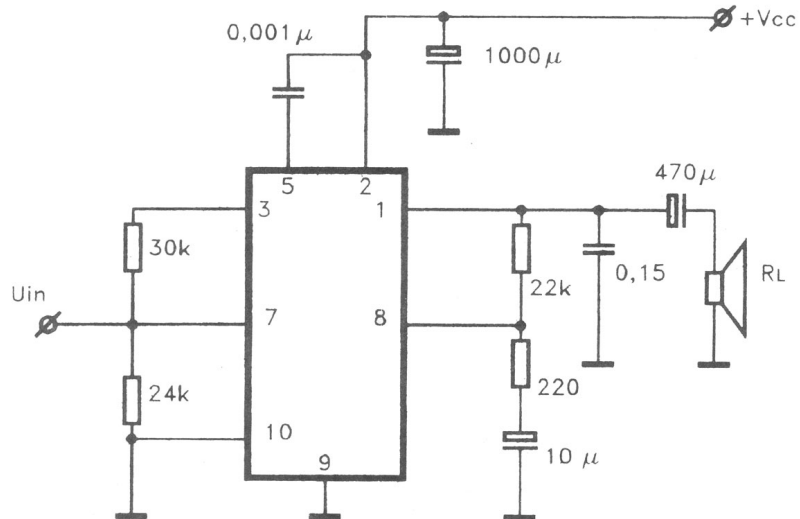
| Tip | UCC min V | UCC nom V | UCC max V | Pout W | RL Ω | Case |
|--------------|-----------|-----------|-----------|--------|-------------|---------|
| AN272 | ± 12 | ± 20 | ± 32 | 5 | 8 | 10-DILP |



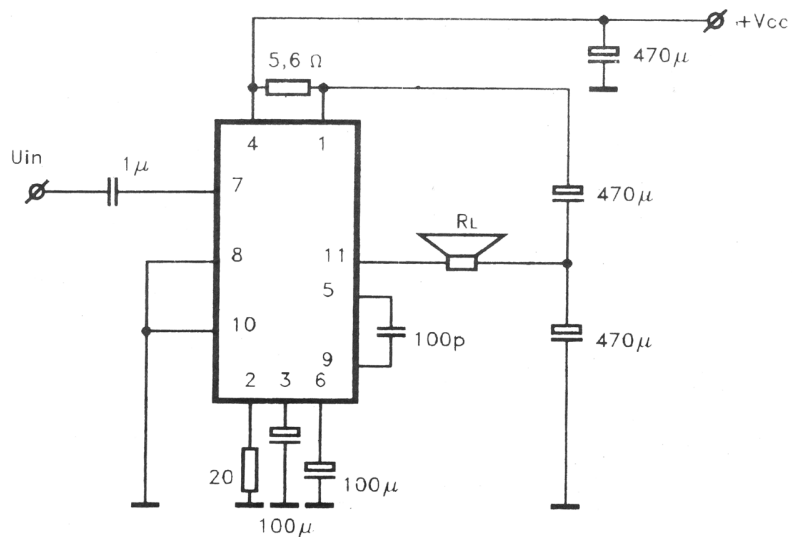
| Tip | UCC min V | UCC nom V | UCC max V | Pout W | RL Ω | Case |
|--------------|-----------|-----------|-----------|--------|-------------|---------|
| AN313 | 9 | 16 | 20 | 2x3 | 8 | 16-DILP |



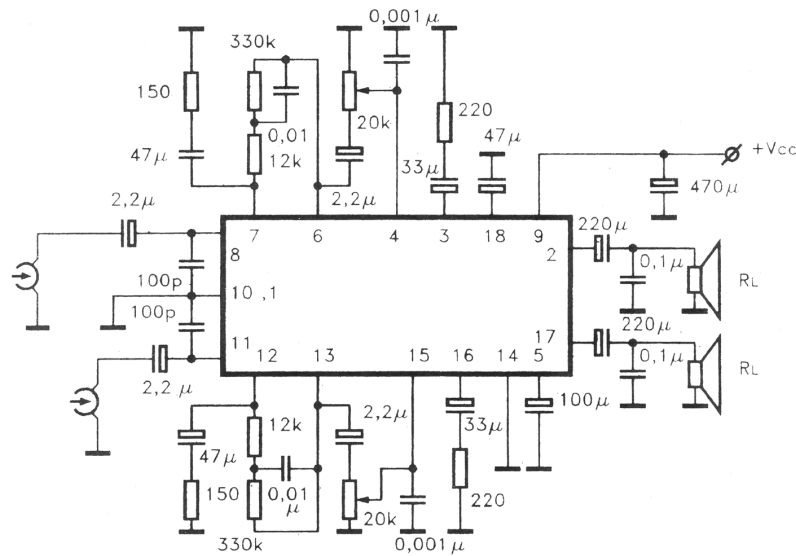
| Tip | UCC min V | UCC nom V | UCC max V | Pout W | RL Ω | Case |
|--------------|--------------|--------------|--------------|-----------|----------------|--------|
| AN374 | 6 | 9 | 16 | 1 | 8 | TO-100 |



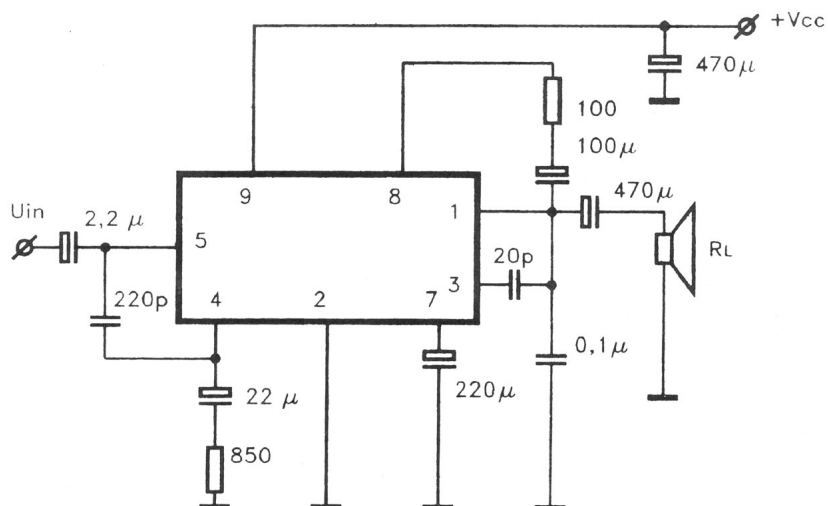
| Tip | UCC min V | UCC nom V | UCC max V | Pout W | RL Ω | Case |
|---------------|--------------|--------------|--------------|-----------|----------------|---------|
| AN5260 | 9 | 24 | 26 | 6,6 | 8 | 11-SILP |



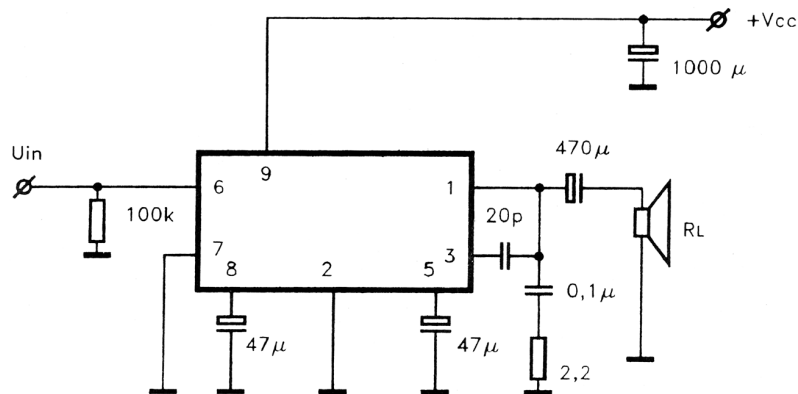
| Tip | UCC min V | UCC nom V | UCC max V | Pout W | RL Ω | Case |
|---------------|--------------|--------------|--------------|-----------|----------------|--------|
| AN7105 | 4,2 | 6 | 9 | 2x0,38 | 8 | 18-DIP |



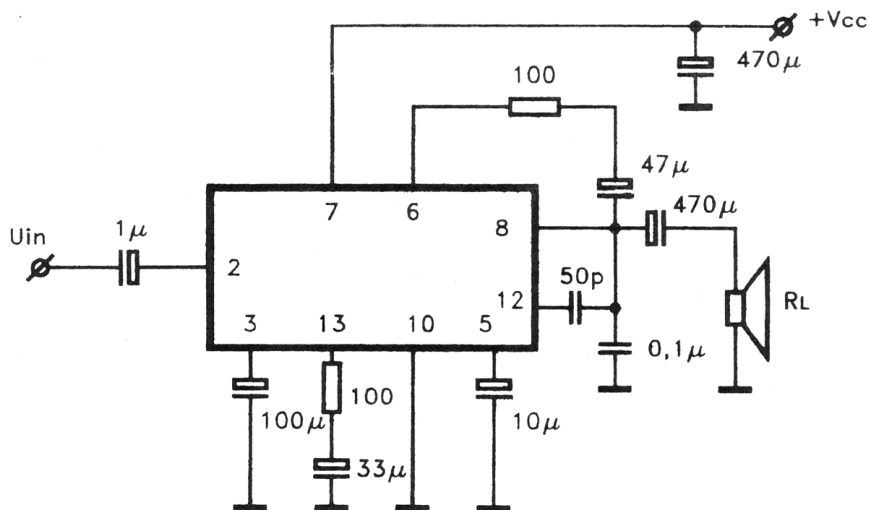
| Tip | UCC min V | UCC nom V | UCC max V | Pout W | RL Ω | Case |
|---------------|--------------|--------------|--------------|-----------|----------------|-------|
| AN7110 | 6 | 9 | 18 | 1,2 | 8 | 9-SIP |
| AN7130 | 9 | 13 | 18 | 4,2 | 4 | 9-SIL |



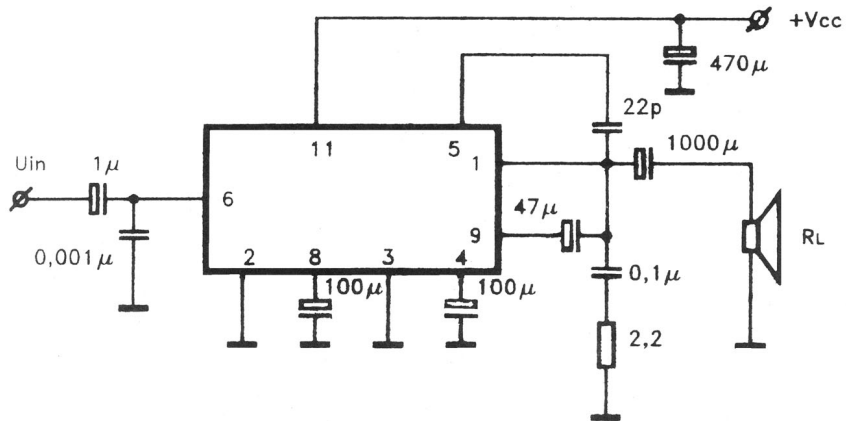
| Tip | UCC min V | UCC nom V | UCC max V | Pout W | RL Ω | Case |
|--------|--------------|--------------|--------------|-----------|----------------|-------|
| AN7111 | 6 | 9 | 18 | 1,2 | 8 | 9-SIP |
| AN7131 | 9 | 13 | 24 | 5 | 4 | 9-SIP |
| AN7140 | 9 | 13 | 24 | 5 | 4 | 9-SIP |



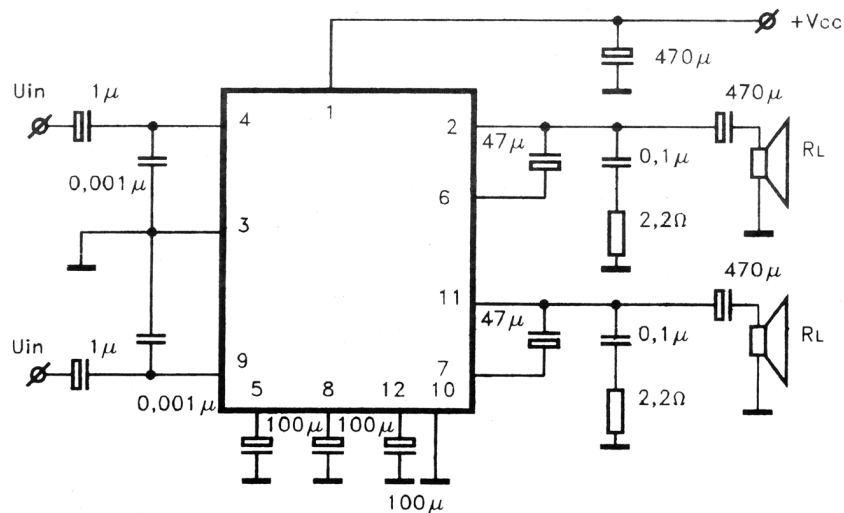
| Tip | UCC min V | UCC nom V | UCC max V | Pout W | RL Ω | Case |
|--------|--------------|--------------|--------------|-----------|----------------|----------|
| AN7120 | 6 | 9 | 18 | 2,1 | 4 | 14-DIP+g |



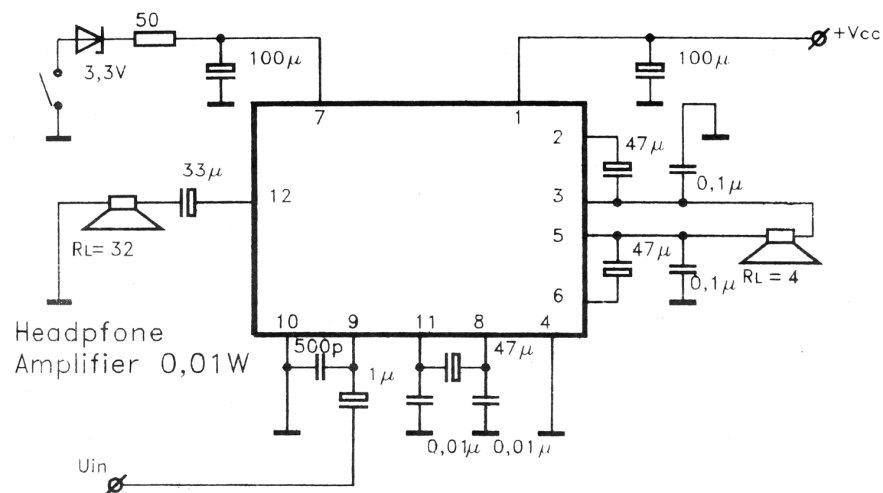
| Tip | UCC min V | UCC nom V | UCC max V | Pout W | RL Ω | Case |
|---------------|--------------|--------------|--------------|-----------|----------------|---------|
| AN7154 | 9 | 13 | 24 | 5,5 | 4 | 11-SILP |
| AN7150 | 9 | 13 | 18 | 5,7 | 4 | 11-SIP |



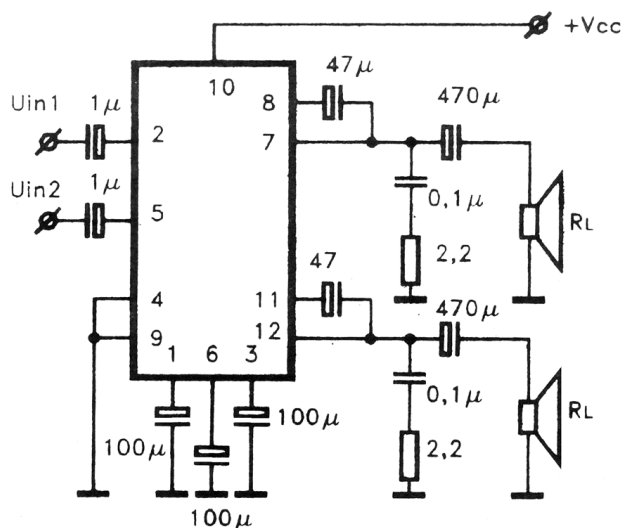
| Tip | UCC min V | UCC nom V | UCC max V | Pout W | RL Ω | Case |
|---------------|--------------|--------------|--------------|-----------|----------------|---------|
| AN7158 | 9 | 16 | 24 | 2x7,5 | 4 | 12-SILP |
| AN7166 | 9 | 13 | 24 | 2x5x5 | 4 | 12-SILP |



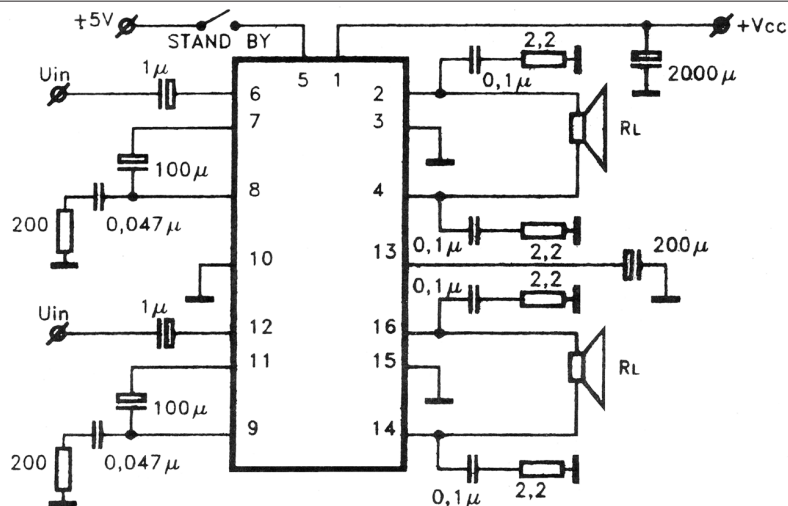
| Tip | UCC min V | UCC nom V | UCC max V | Pout W | RL Ω | Case |
|----------------|--------------|--------------|--------------|-----------|----------------|---------|
| AN7161N | 6 | 15 | 35 | 23 | 4 | 12-SILP |



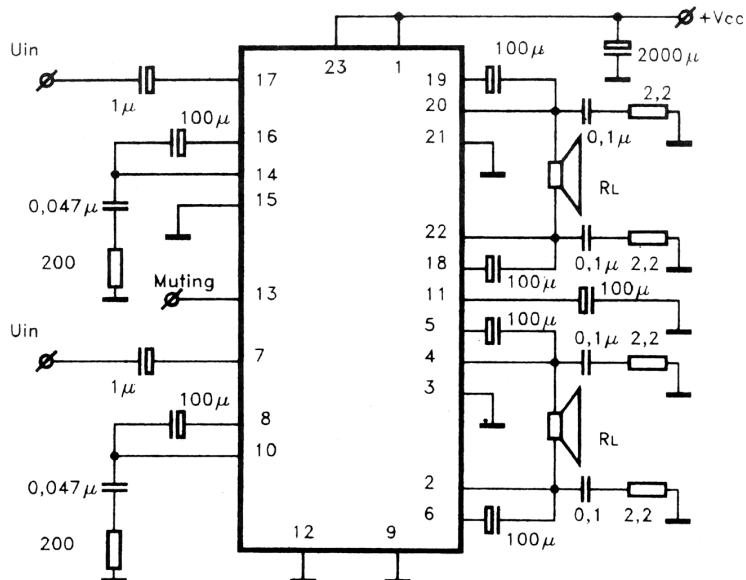
| Tip | UCC min V | UCC nom V | UCC max V | Pout W | RL Ω | Case |
|---------------|--------------|--------------|--------------|-----------|----------------|--------|
| AN7169 | 9 | 13 | 24 | 2x5,7 | 4 | 12-SIL |
| AN7176 | 9 | 13 | 24 | 2x7x5 | 4 | 12-SIL |



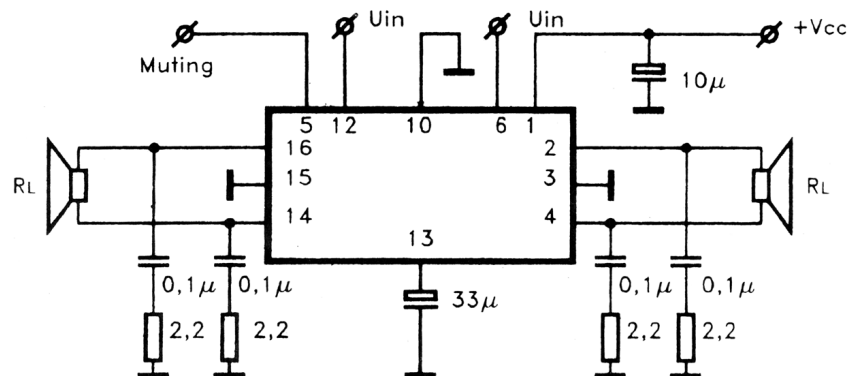
| Tip | UCC min V | UCC nom V | UCC max V | Pout W | RL Ω | Case |
|----------|-----------|-----------|-----------|--------|-------------|--------|
| AN7171NK | 9 | 13 | 24 | 2x9 | 4 | 16-SQL |
| AN7173NK | 9 | 13 | 24 | 2x12,5 | 4 | 16-SQL |



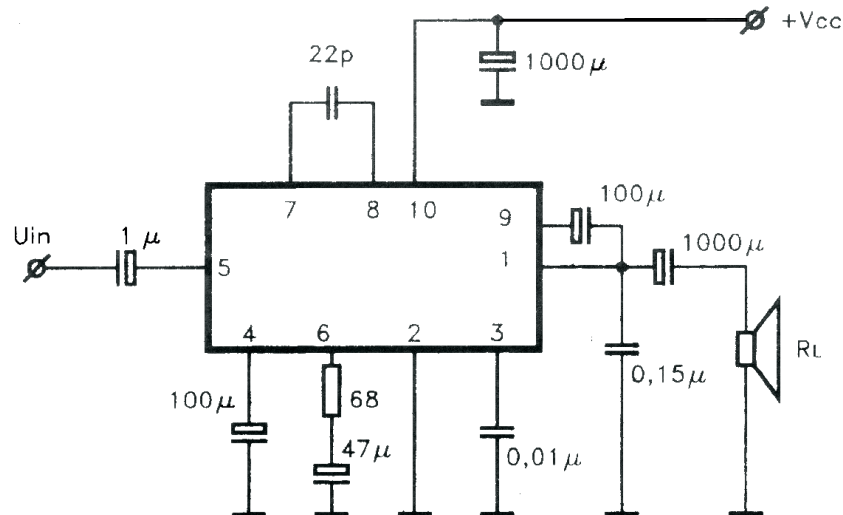
| Tip | UCC min V | UCC nom V | UCC max V | Pout W | RL Ω | Case |
|--------|-----------|-----------|-----------|--------|-------------|--------|
| AN7177 | 9 | 13 | 24 | 2x18 | 4 | 23-SQL |



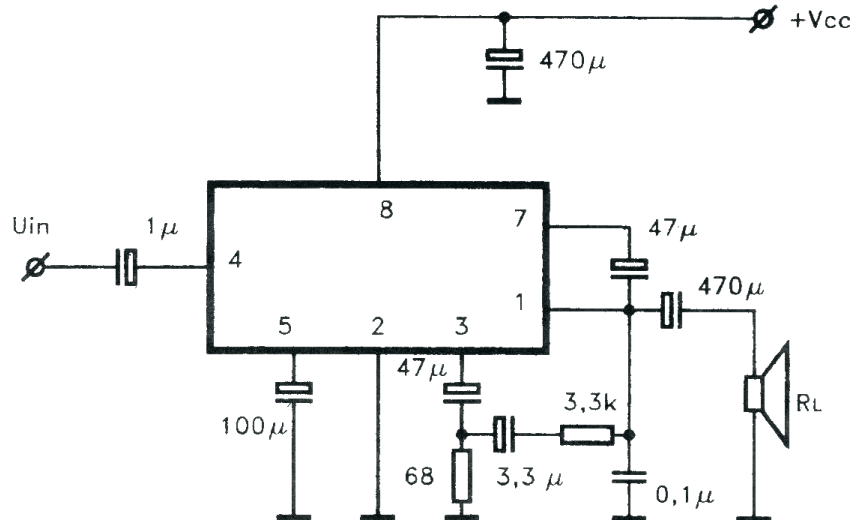
| Tip | UCC min V | UCC nom V | UCC max V | Pout W | RL Ω | Case |
|---------|--------------|--------------|--------------|-----------|----------------|--------|
| AN7188K | 9 | 13 | 24 | 2x18 | 4 | 16-SQL |



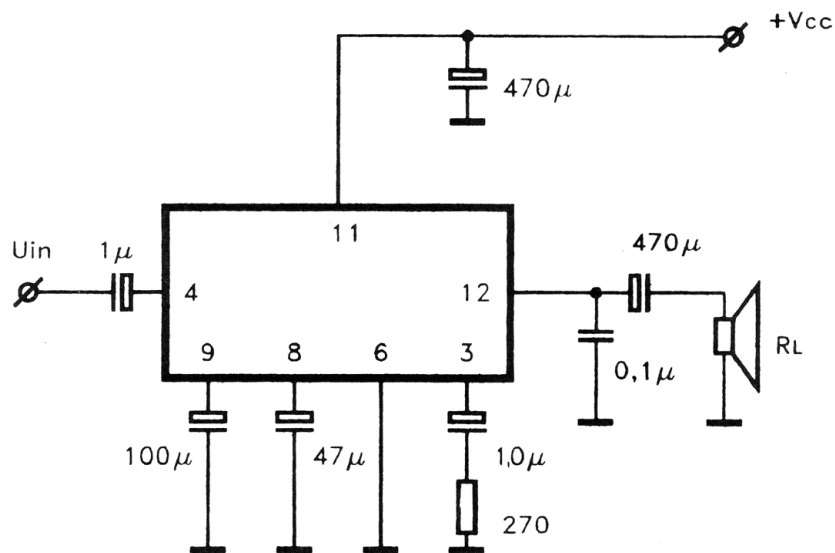
| Tip | UCC min V | UCC nom V | UCC max V | Pout W | RL Ω | Case |
|-------|--------------|--------------|--------------|-----------|----------------|--------|
| BA511 | 9 | 13 | 15 | 4,5 | 4 | 10-SIL |
| BA521 | 9 | 13 | 16 | 5,8 | 4 | 10-SIL |
| BA532 | 9 | 13 | 16 | 5,8 | 4 | 10-SIL |



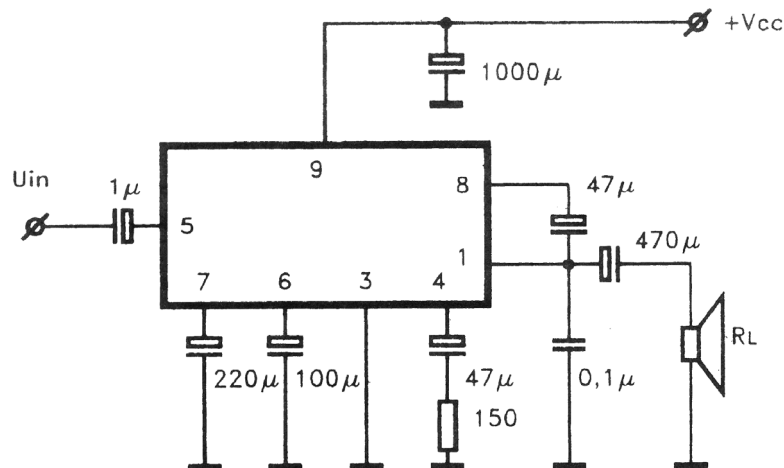
| Tip | UCC min V | UCC nom V | UCC max V | Pout W | RL Ω | Case |
|--------------|--------------|--------------|--------------|-----------|----------------|-------|
| BA514 | 6 | 9 | 12 | 2 | 4 | 8-SIL |



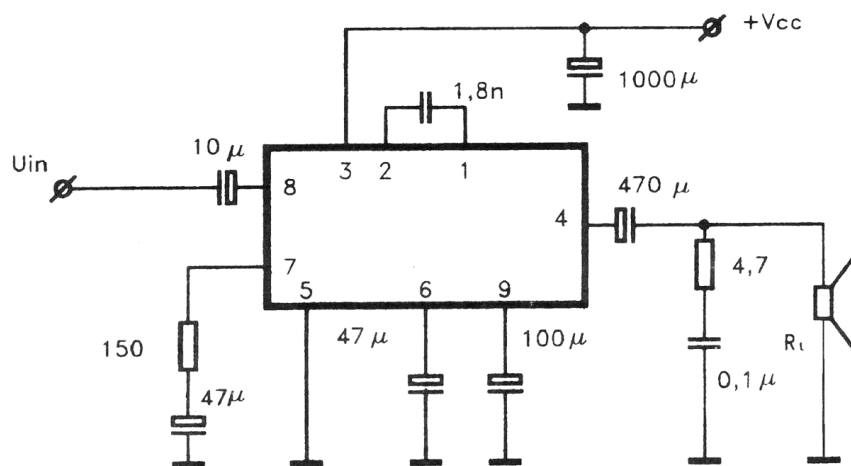
| Tip | UCC min V | UCC nom V | UCC max V | Pout W | RL Ω | Case |
|--------------|--------------|--------------|--------------|-----------|----------------|--------|
| BA515 | 3 | 9 | 15 | 0,23 | 4 | 12-SQP |



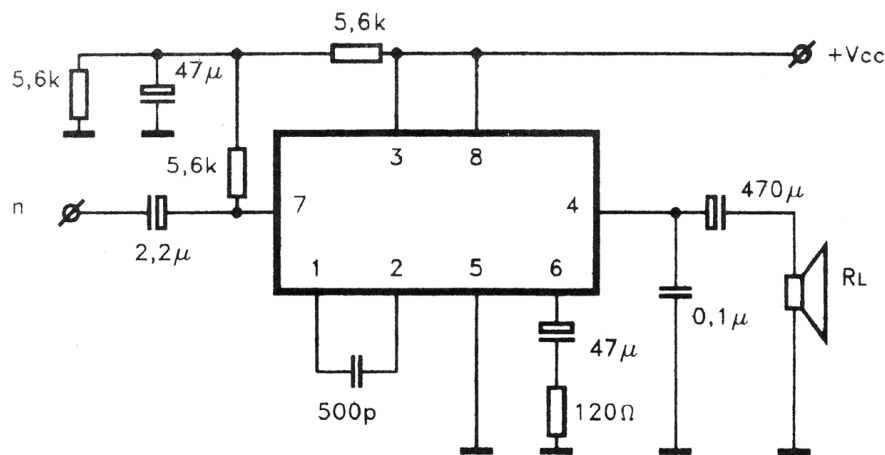
| Tip | UCC min V | UCC nom V | UCC max V | Pout W | RL Ω | Case |
|--------------|--------------|--------------|--------------|-----------|----------------|--------|
| BA524 | 9 | 12 | 15 | 3,8 | 4 | 10-SIL |
| BA534 | 6 | 9 | 12 | 2,3 | 4 | 10-SIL |



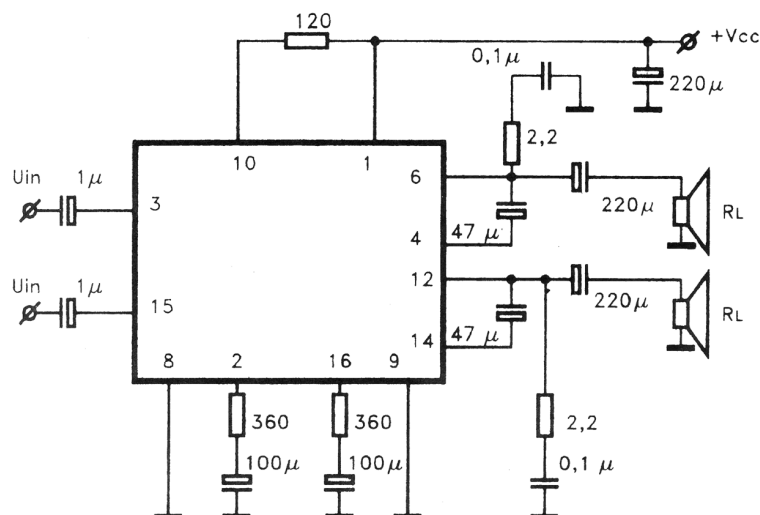
| Tip | UCC min V | UCC nom V | UCC max V | Pout W | RL Ω | Case |
|--------------|--------------|--------------|--------------|-----------|----------------|-------|
| BA526 | 3 | 6 | 9 | 0,43 | 8 | 9-SIP |
| BA527 | 3 | 6 | 10 | 0,8 | 4 | 9-SIP |
| BA546 | 3 | 6 | 9 | 0,35 | 8 | 9-SIP |



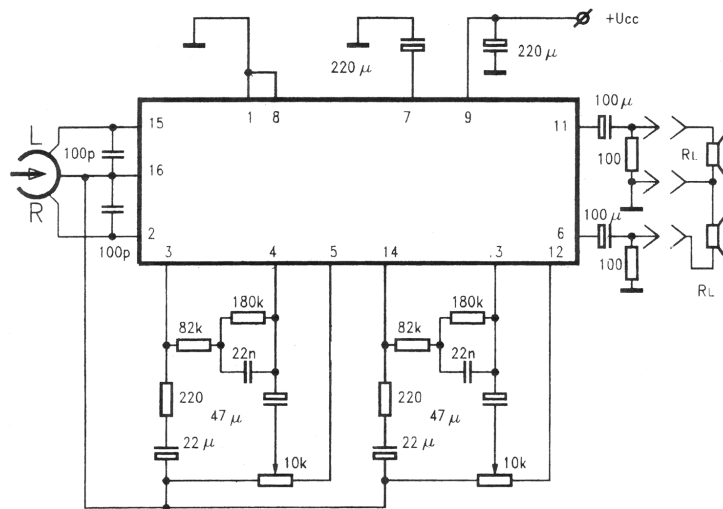
| Tip | UCC min V | UCC nom V | UCC max V | Pout W | RL Ω | Case |
|--------------|--------------|--------------|--------------|-----------|----------------|-------|
| BA518 | 2,5 | 12 | | 1,5 | 8 | 8-SIL |
| BA547 | 2,5 | 12 | | 1,5 | 8 | 8-SIL |



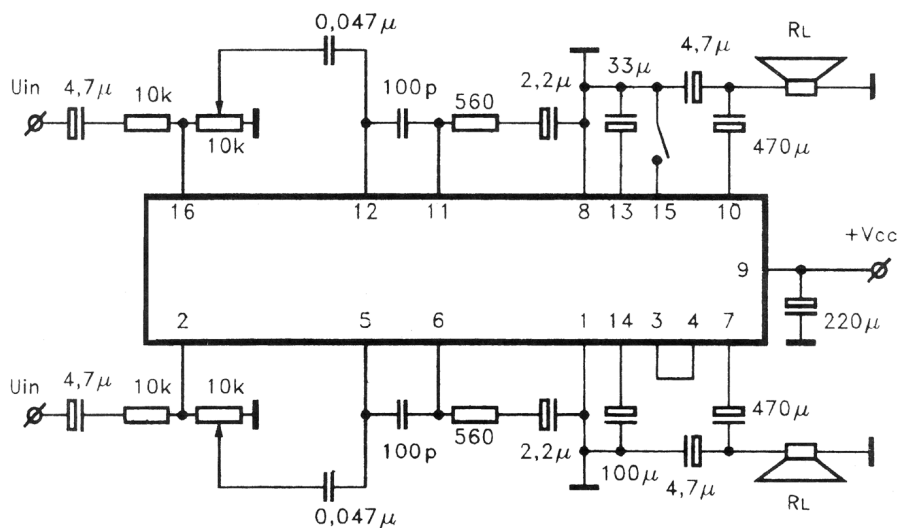
| Tip | UCC min V | UCC nom V | UCC max V | Pout W | RL Ω | Case |
|----------------|--------------|--------------|--------------|-----------|----------------|--------|
| BA5204 | 1,5 | 3 | 4,5 | 2x0,03 | 16 | 16-SQP |
| BA5204F | 1,5 | 3 | 4,5 | 2x0,03 | 16 | 16-SO |



| Tip | UCC min V | UCC nom V | UCC max V | Pout W | RL Ω | Case |
|----------------|--------------|--------------|--------------|-----------|----------------|--------|
| BA3516 | 2,4 | 3 | 5 | 2x0,2 | 32 | 16-DIP |
| BA3506A | 1,8 | 3 | 1,5 | 2x0,6 | 16 | 16-DIP |

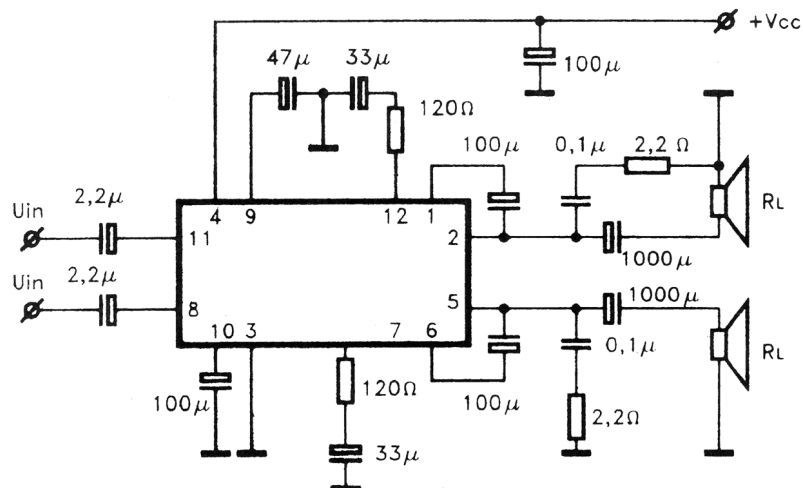


| Tip | UCC min V | UCC nom V | UCC max V | Pout W | RL Ω | Case |
|-----------------|--------------|--------------|--------------|-----------|----------------|-------|
| BA5206BF | 2 | 3 | 4,5 | 2x0,2 | 4 | 16-SO |

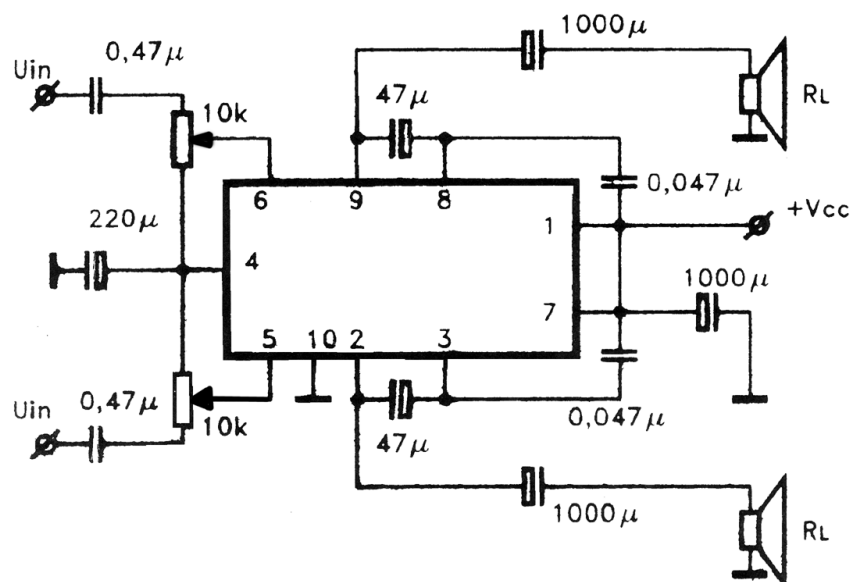


18000 Niš, Jovana Ristića 7, P.O.Box 135, Tel: 018 / 520-455, 522-814, 522-965, fax: 522-660
<http://www.MGElectronic.co.yu> e-mail: office@MGElectronic.co.yu

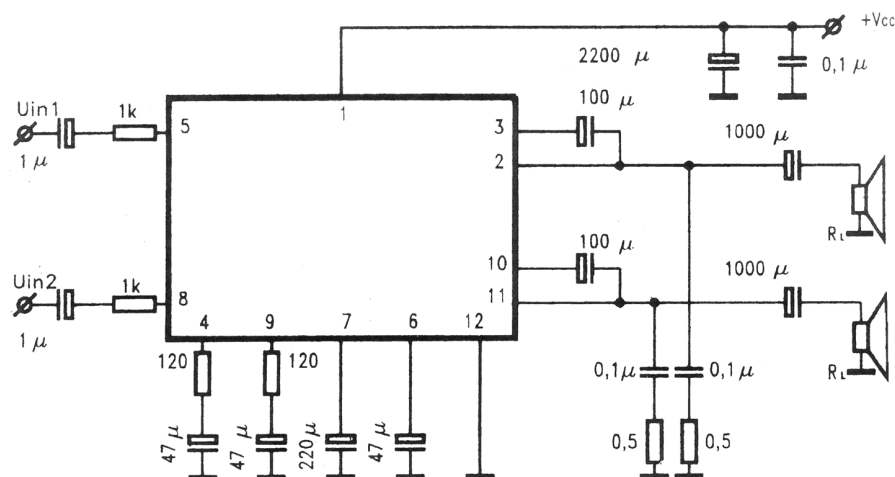
| Tip | UCC min V | UCC nom V | UCC max V | Pout W | RL Ω | Case |
|----------------|--------------|--------------|--------------|-----------|----------------|----------|
| BA5302A | 6 | 9 | 12 | 2x2,4 | 4 | 12-DIP+b |
| BA5304 | 6 | 9 | 13 | 2x3 | 3 | 12-DIP+b |



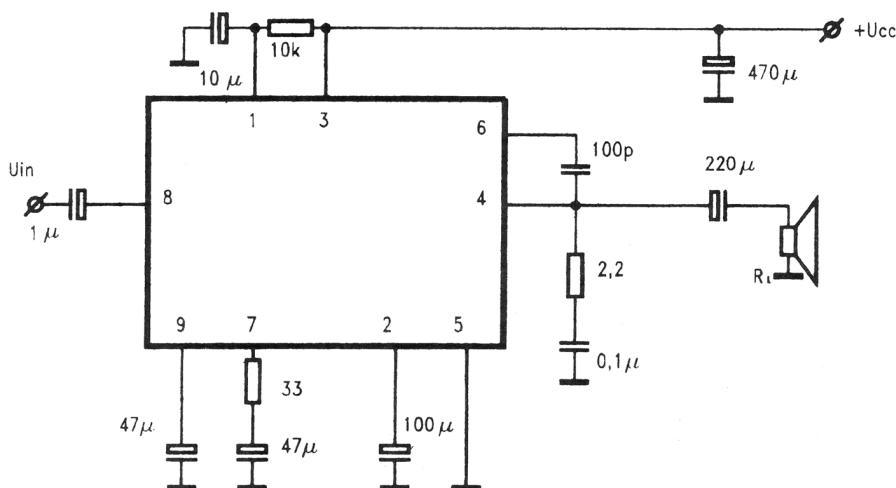
| Tip | UCC min V | UCC nom V | UCC max V | Pout W | RL Ω | Case |
|---------------|--------------|--------------|--------------|-----------|----------------|--------|
| BA5410 | 6 | 9 | 14 | 2x2,9 | 3 | 10-SIP |



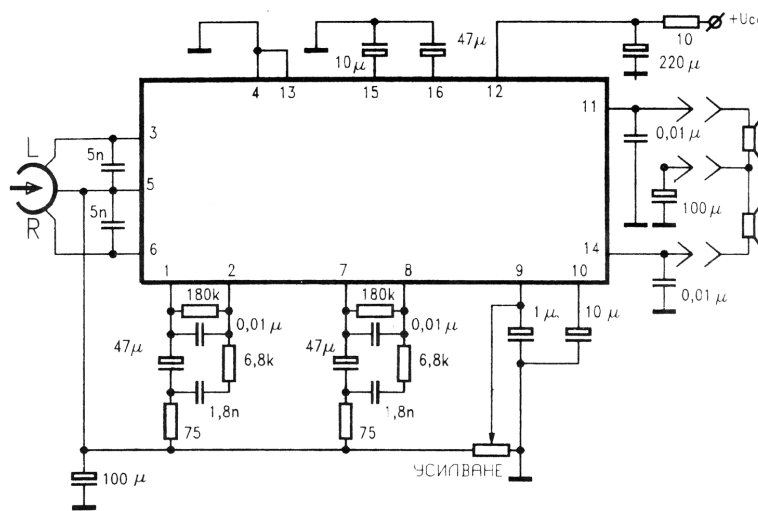
| Tip | UCC min V | UCC nom V | UCC max V | Pout W | RL Ω | Case |
|----------------|--------------|--------------|--------------|-----------|----------------|---------|
| BA5408 | 12 | 15 | 28 | 2x7,5 | 4 | 12-SILP |
| BA54021 | 9 | 12 | 18 | 2x4,2 | 4 | 12-SILP |



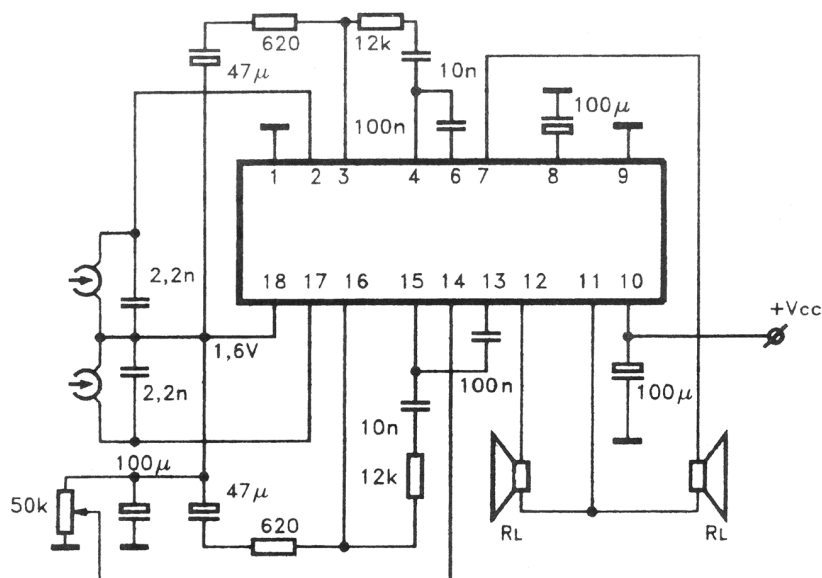
| Tip | UCC min V | UCC nom V | UCC max V | Pout W | RL Ω | Case |
|---------------|--------------|--------------|--------------|-----------|----------------|-------|
| BA5404 | 6 | 9 | 12 | 0,45 | 32 | 9-SIP |



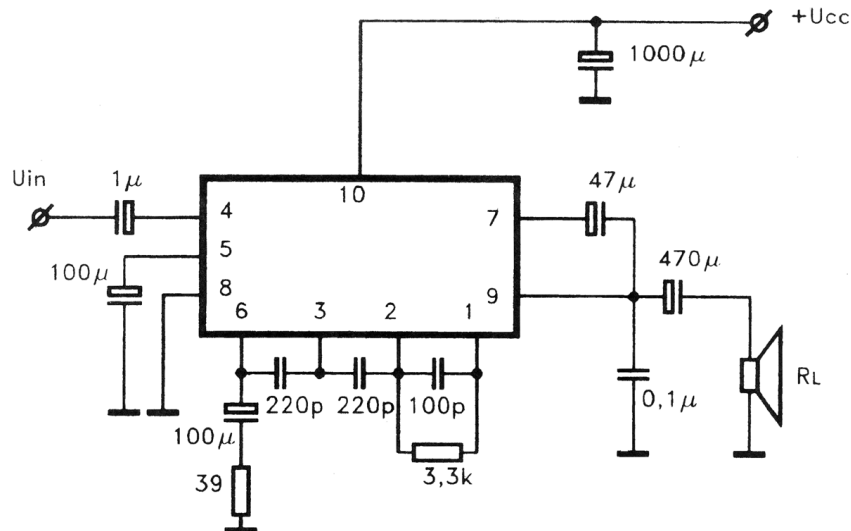
| Tip | UCC min V | UCC nom V | UCC max V | Pout W | RL Ω | Case |
|-----------------|--------------|--------------|--------------|-----------|----------------|--------|
| CXA1005P | 1,5 | 3 | 6 | 2x0,38 | 32 | 16-DIP |
| CXA1034P | 1,5 | 3 | 9 | 2x0,35 | 16-DIP | |



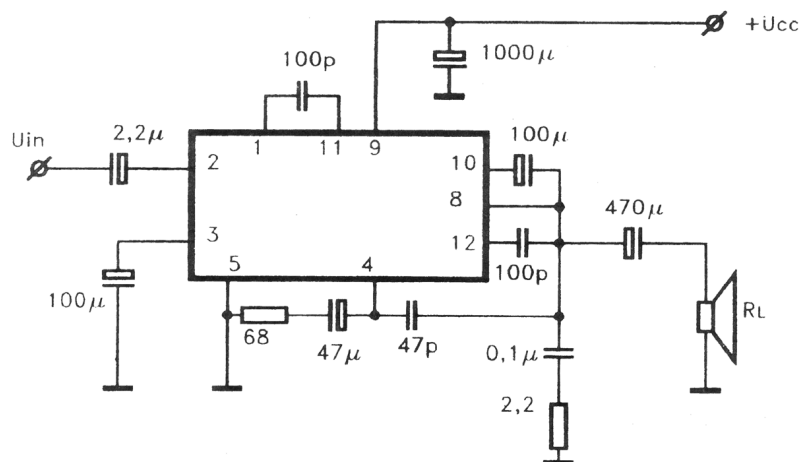
| Tip | UCC min V | UCC nom V | UCC max V | Pout W | RL Ω | Case |
|-----------------|--------------|--------------|--------------|-----------|----------------|--------|
| CXA8008P | 2,2 | 3 | 4,5 | 2x0,03 | 32 | 18-DIP |



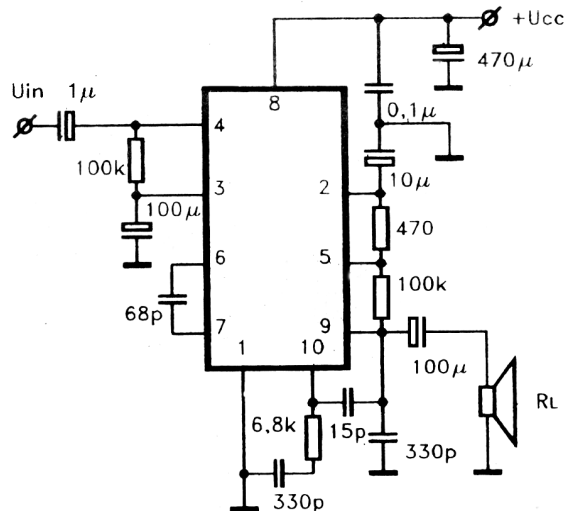
| Tip | UCC min V | UCC nom V | UCC max V | Pout W | RL Ω | Case |
|-----------|--------------|--------------|--------------|-----------|---------|----------|
| HA1306(W) | 9 | 13 | 18 | 3,5 | 4 | 10-QIP+f |



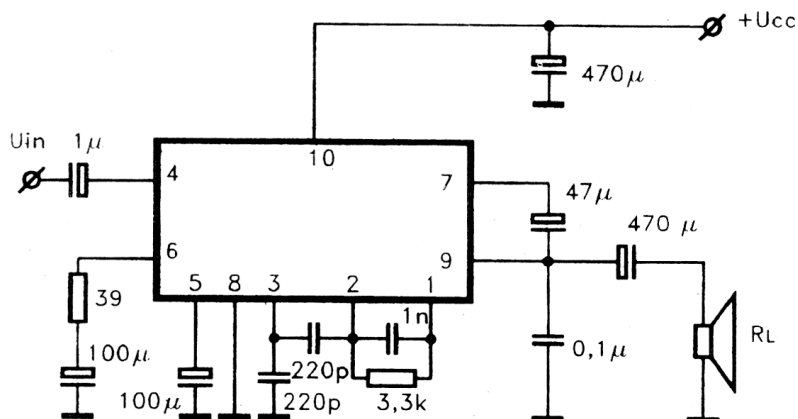
| Tip | UCC min V | UCC nom V | UCC max V | Pout W | RL Ω | Case |
|--------|--------------|--------------|--------------|-----------|---------|---------|
| HA1310 | 6 | 9 | 12 | 0,5 | 8 | 11-SILP |
| HA1313 | 9 | 13 | 20 | 2 | 8 | 11-SILP |
| HA1314 | 6 | 9 | 12 | 1 | 8 | 11-SIP |
| HA1316 | 4,5 | 6 | 10 | 0,7 | 8 | 11-SIP |



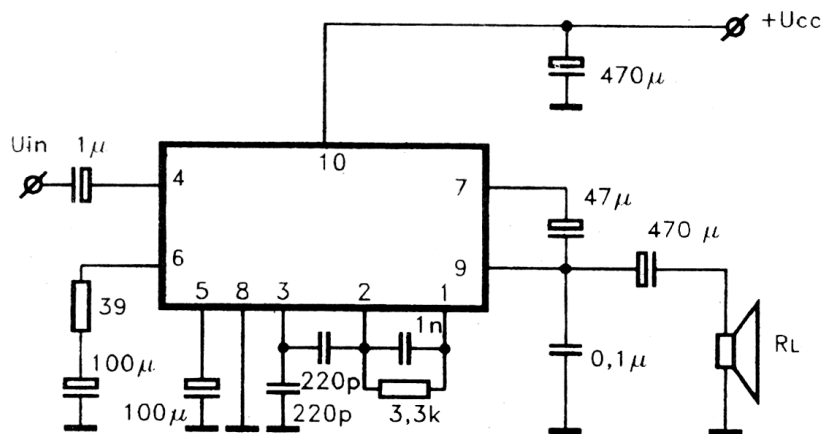
| Tip | UCC min V | UCC nom V | UCC max V | Pout W | RL Ω | Case |
|--------------------|-----------|-----------|-----------|--------|-------------|----------|
| HA1317(V,W, VU,WU) | 20 | 26 | 36 | 8 | 8 | 10DIP+ g |



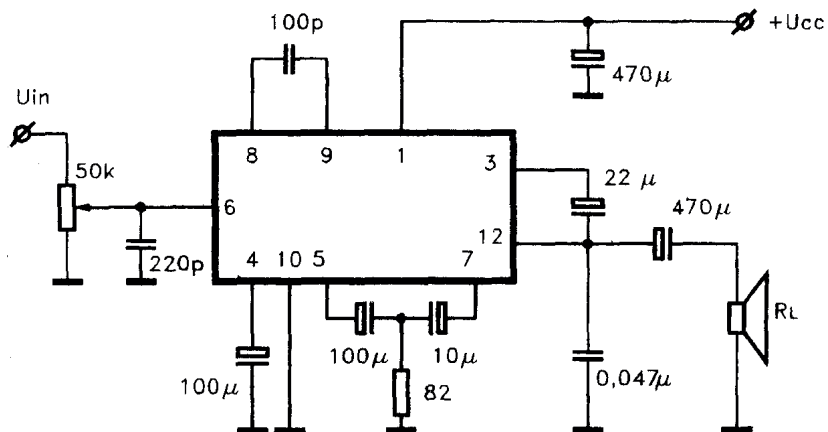
| Tip | UCC min V | UCC nom V | UCC max V | Pout W | RL Ω | Case |
|-----------|-----------|-----------|-----------|--------|-------------|----------|
| HA1322(W) | 9 | 13 | 18 | 5,5 | 4 | 10-DIP+f |



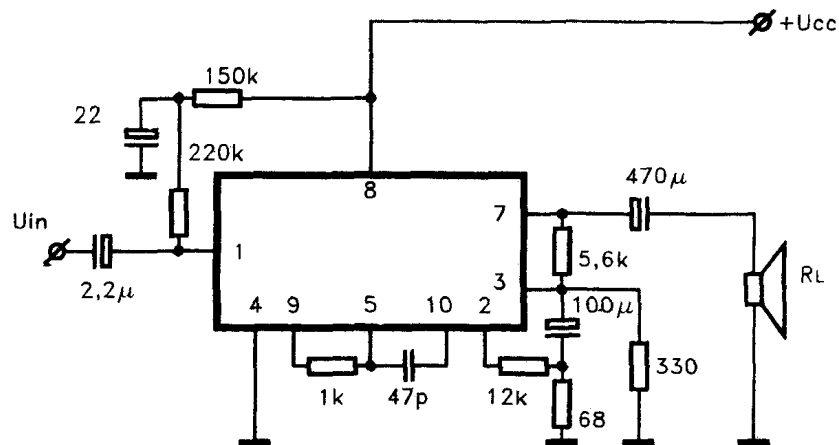
| Tip | UCC min V | UCC nom V | UCC max V | Pout W | RL Ω | Case |
|--------|--------------|--------------|--------------|-----------|----------------|----------|
| HA1324 | 9 | 13 | 18 | 4,5 | 4 | 10-DIP+q |



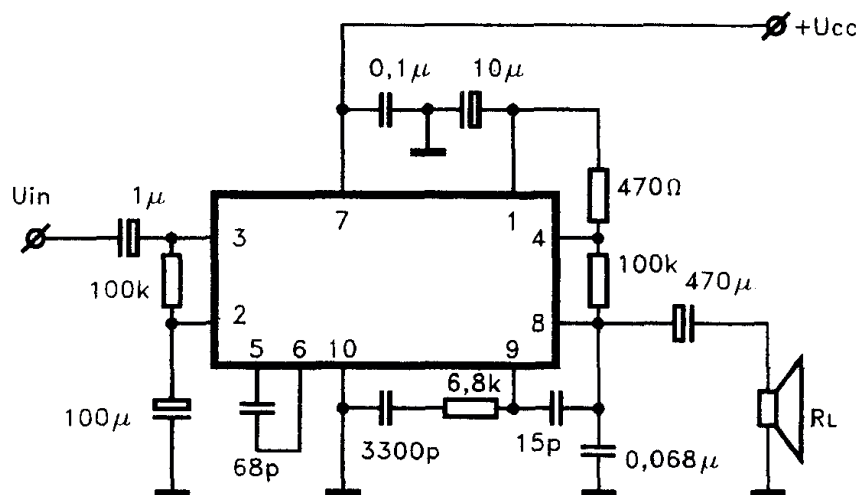
| Tip | UCC min V | UCC nom V | UCC max V | Pout W | RL Ω | Case |
|--------|--------------|--------------|--------------|-----------|----------------|----------|
| HA1325 | 9 | 13 | 20 | 2 | 8 | 12-DIP+a |



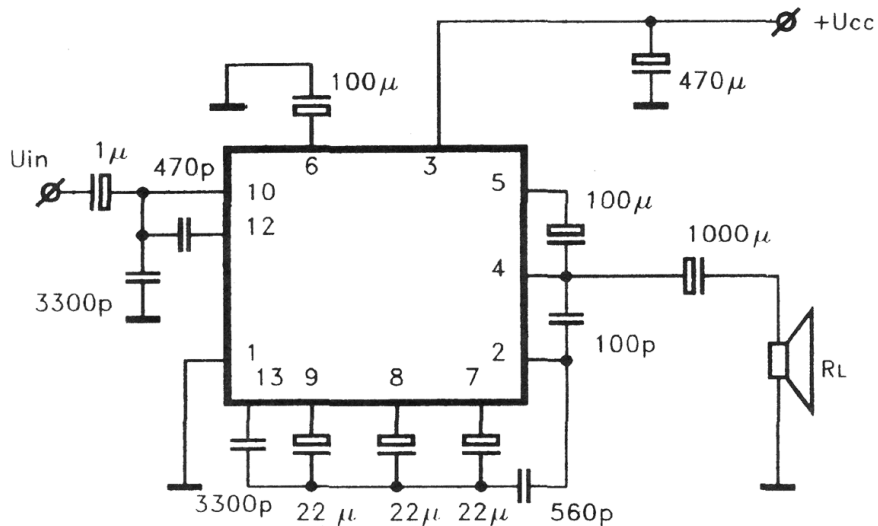
| Tip | UCC min V | UCC nom V | UCC max V | Pout W | RL Ω | Case |
|--------|--------------|--------------|--------------|-----------|----------------|----------|
| HA1338 | 20 | 24 | 33 | 6 | 8 | 10-QIP+f |



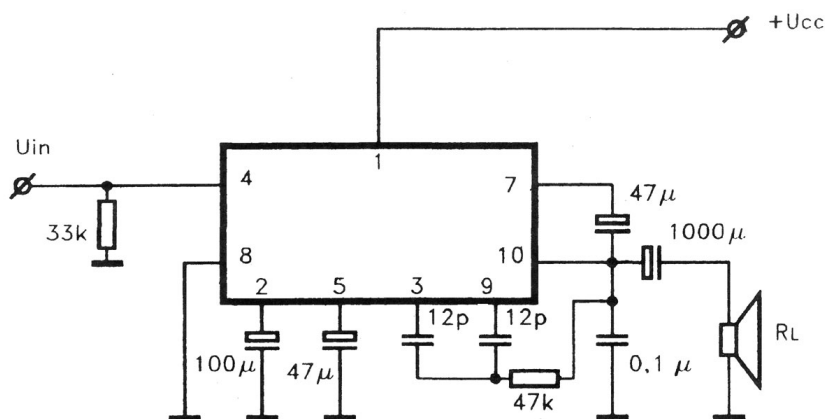
| Tip | UCC min V | UCC nom V | UCC max V | Pout W | RL Ω | Case |
|---------|--------------|--------------|--------------|-----------|----------------|---------|
| HA1345V | 20 | 26 | 36 | 8 | 8 | 10-SILP |



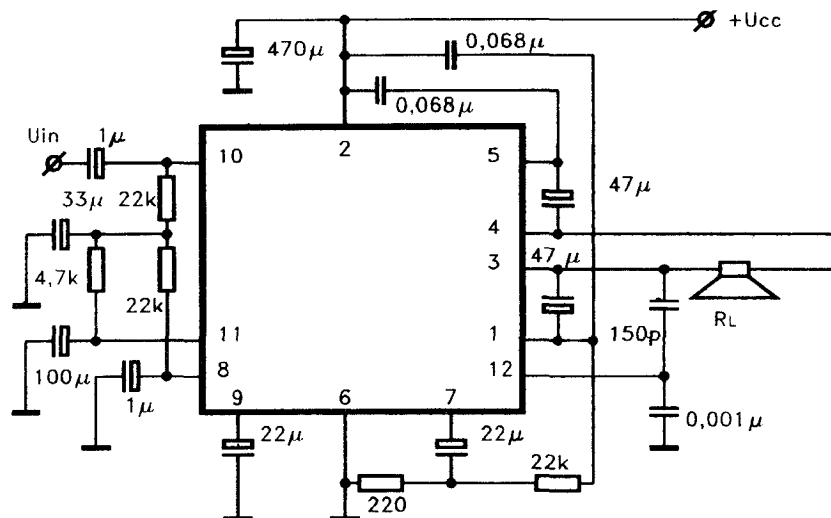
| Tip | UCC min V | UCC nom V | UCC max V | Pout W | RL Ω | Case |
|--------|--------------|--------------|--------------|-----------|----------------|-----------|
| HA1361 | 4,5 | 6 | 9 | 1 | 4 | 12- DIP+b |



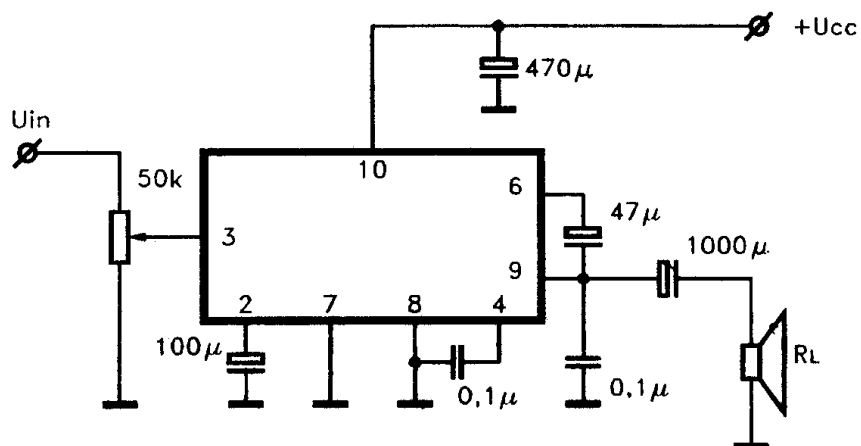
| Tip | UCC min V | UCC nom V | UCC max V | Pout W | RL Ω | Case |
|---------|--------------|--------------|--------------|-----------|----------------|-----------|
| HA1368 | 9 | 13 | 18 | 5,3 | 4 | 10-SILP+a |
| HA1368R | 9 | 13 | 18 | 5,3 | 4 | 10-SILP+a |



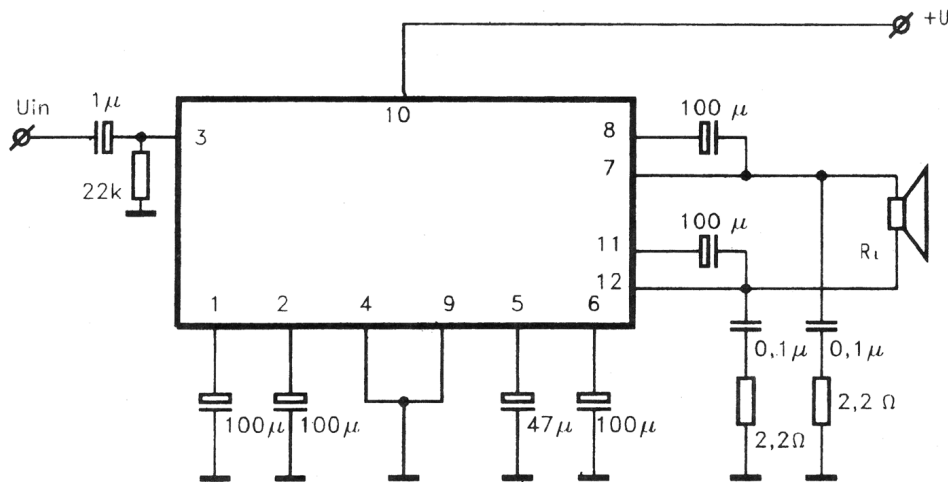
| Tip | UCC min V | UCC nom V | UCC max V | Pout W | RL Ω | Case |
|--------|--------------|--------------|--------------|-----------|----------------|----------|
| HA1371 | 6 | 9 | 15 | 7,3 | 4 | 12-QIP+d |



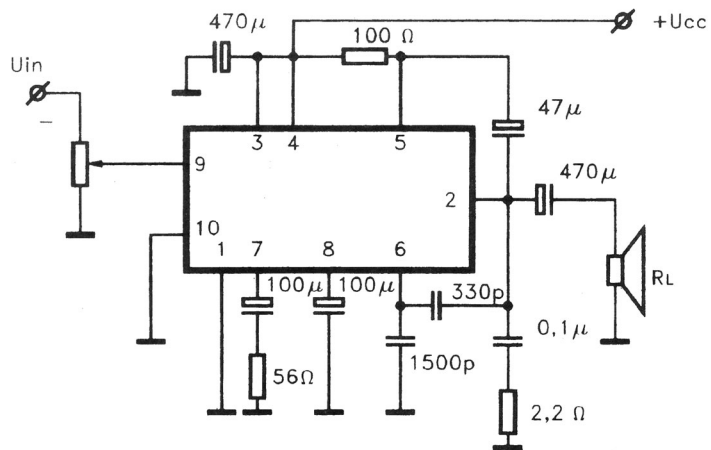
| Tip | UCC min V | UCC nom V | UCC max V | Pout W | RL Ω | Case |
|--------|--------------|--------------|--------------|-----------|----------------|----------|
| HA1372 | 9 | 13 | 18 | 5,5 | 4 | 10-DIP+f |



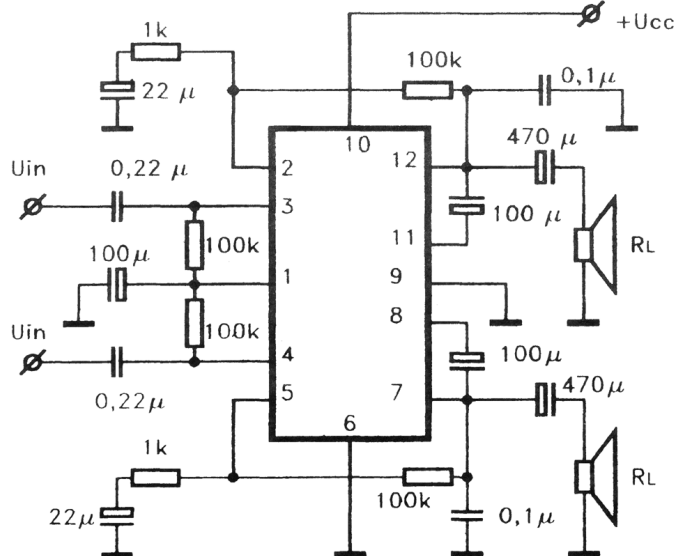
| Tip | UCC min V | UCC nom V | UCC max V | Pout W | RL Ω | Case |
|--------|--------------|--------------|--------------|-----------|----------------|--------|
| HA1384 | | 13 | 26 | 20 | 4 | 12-SIL |
| HA1388 | 10 | 13 | 18 | 18 | 4 | 12-SIL |



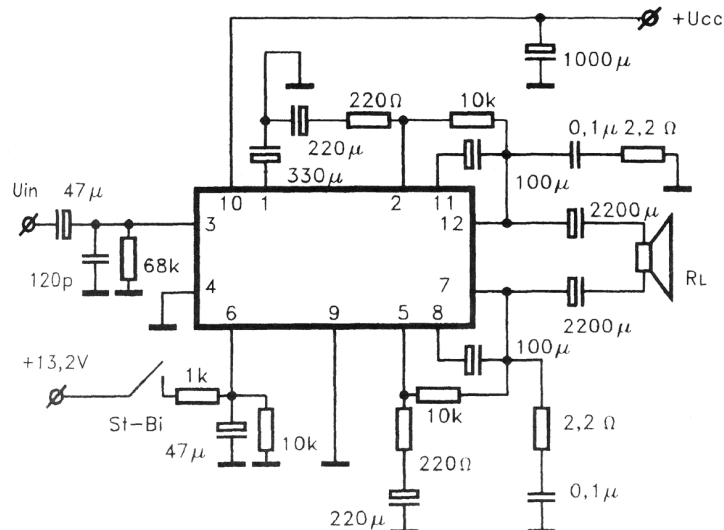
| Tip | UCC min V | UCC nom V | UCC max V | Pout W | RL Ω | Case |
|---------|--------------|--------------|--------------|-----------|----------------|-----------|
| HA1389 | 15 | 22 | 30 | 7 | 8 | 10-SILP+a |
| HA1389R | 15 | 22 | 30 | 7 | 8 | 10-SILP+a |



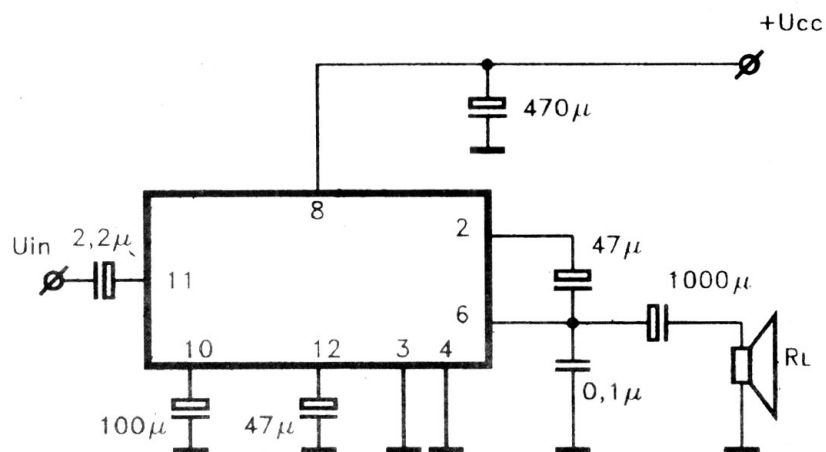
| Tip | UCC min V | UCC nom V | UCC max V | Pout W | RL Ω | Case |
|--------|-----------|-----------|-----------|--------|-------------|--------|
| HA1394 | | 25 | 35 | 2x8,2 | 8 | 12-SIL |



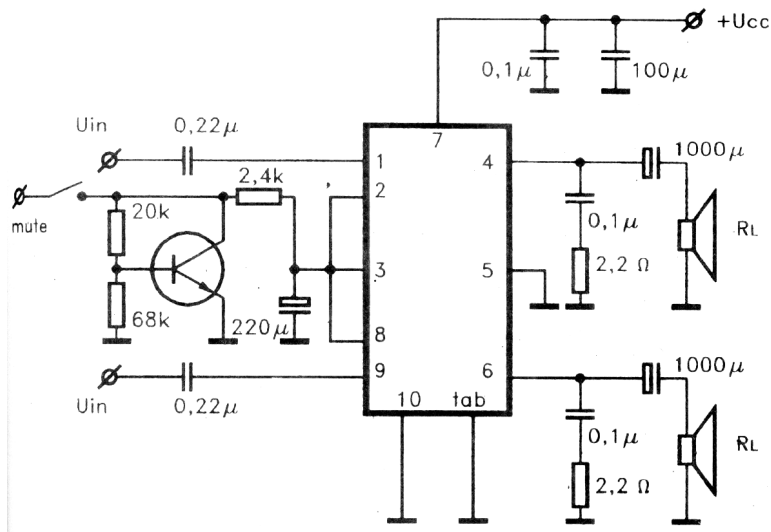
| Tip | UCC min V | UCC nom V | UCC max V | Pout W | RL Ω | Case |
|--------|-----------|-----------|-----------|--------|-------------|--------|
| HA1396 | 9 | 13 | 18 | 20 | 4 | 12-SIL |



| Tip | UCC min V | UCC nom V | UCC max V | Pout W | RL Ω | Case |
|---------|--------------|--------------|--------------|-----------|----------------|---------|
| HA13104 | 9 | 13 | 16 | 5,5 | 4 | 12-SILP |

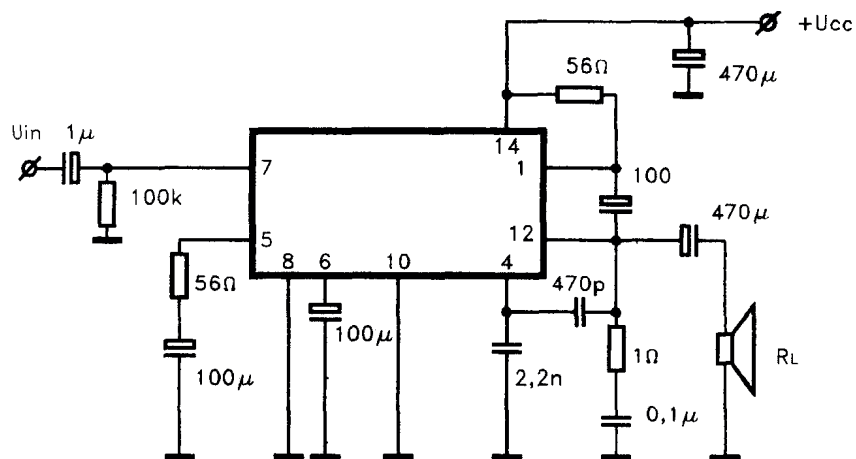


| Tip | UCC min V | UCC nom V | UCC max V | Pout W | RL Ω | Case |
|---------|--------------|--------------|--------------|-----------|----------------|---------|
| HA13115 | 18 | 24 | 40 | 2X6 | 8 | 12-SILP |

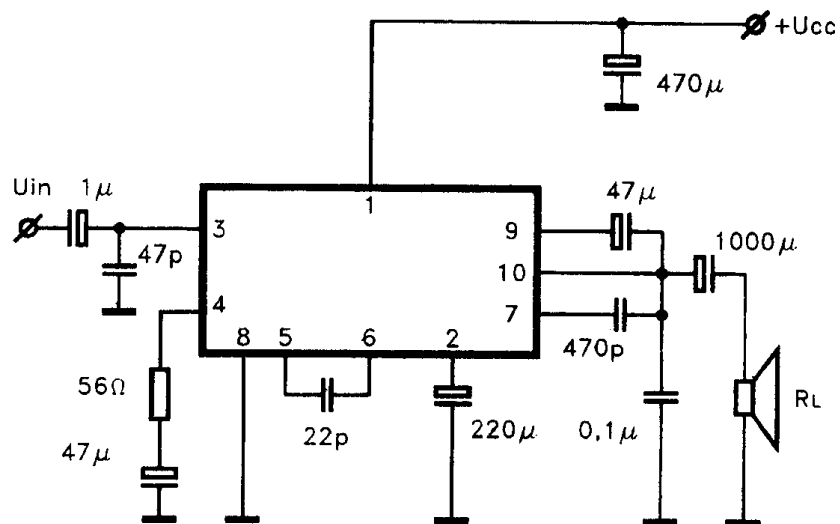


18000 Niš, Jovana Ristića 7, P.O.Box 135, Tel: 018 / 520-455, 522-814, 522-965, fax: 522-660
<http://www.MGelectronic.co.yu> e-mail: office@MGelectronic.co.yu

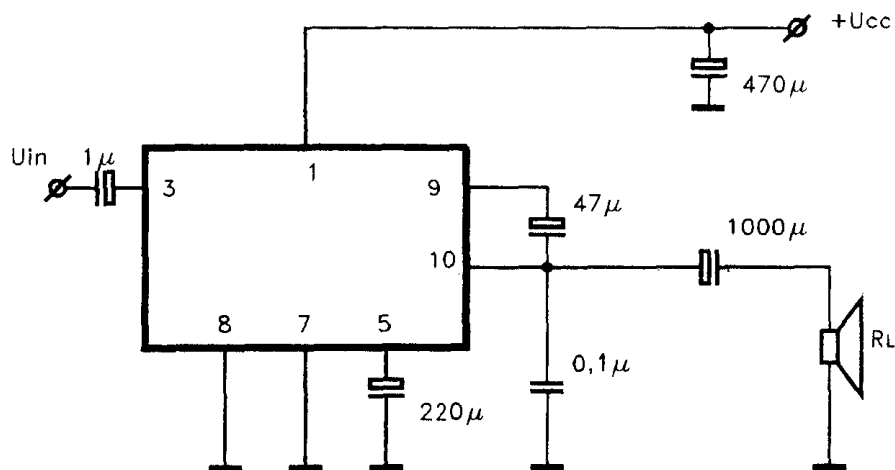
| Tip | UCC min V | UCC nom V | UCC max V | Pout W | RL Ω | Case |
|--------|--------------|--------------|--------------|-----------|----------------|----------|
| KA2202 | 4 | 9 | 16 | 1 | 4 | 14-QIP+q |
| KA2207 | 5 | 12 | 20 | 2,3 | 4 | 14-QIP+q |



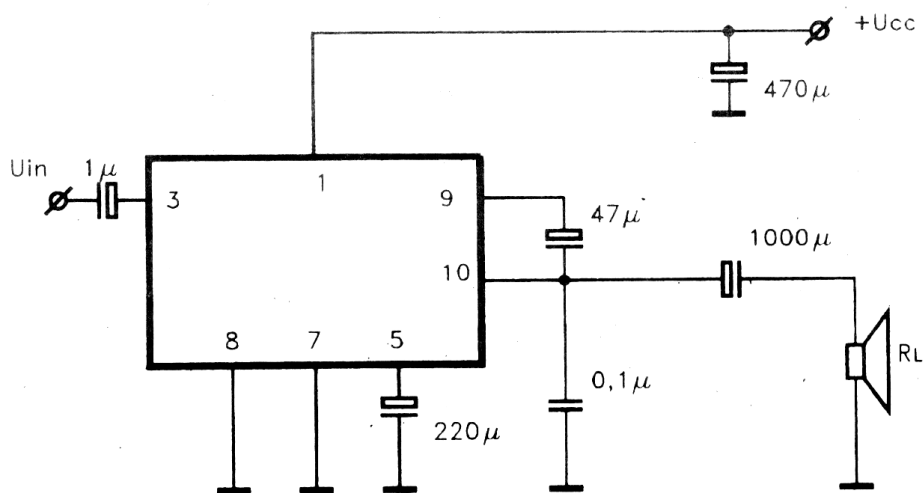
| Tip | UCC min V | UCC nom V | UCC max V | Pout W | RL Ω | Case |
|--------|--------------|--------------|--------------|-----------|----------------|---------|
| KA2204 | 6 | 12 | 18 | 6 | 4 | 10-SILP |



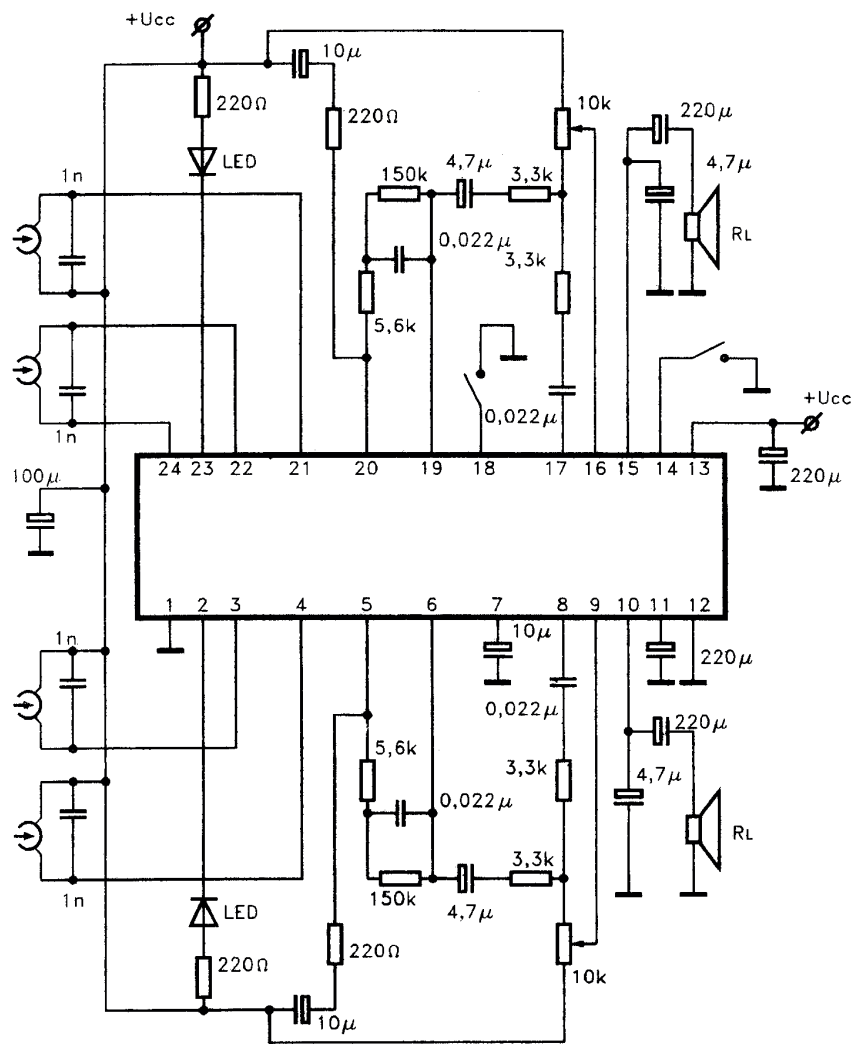
| Tip | UCC min V | UCC nom V | UCC max V | Pout W | RL Ω | Case |
|--------|--------------|--------------|--------------|-----------|----------------|---------|
| KA2205 | 6 | 12 | 18 | 5,8 | 4 | 10-SILP |



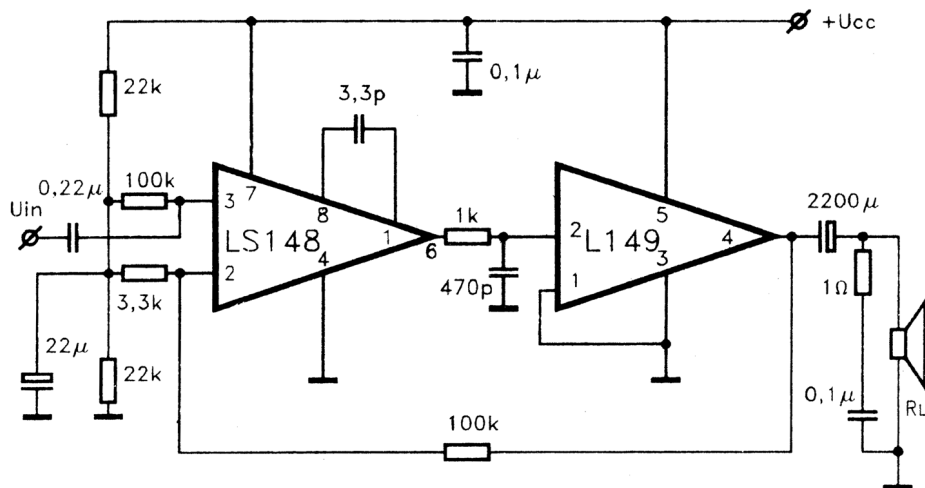
| Tip | UCC min V | UCC nom V | UCC max V | Pout W | RL Ω | Case |
|---------|--------------|--------------|--------------|-----------|----------------|---------|
| KA22135 | 2 | 3 | 6 | 2X0,028 | 32 | 22-SDIP |



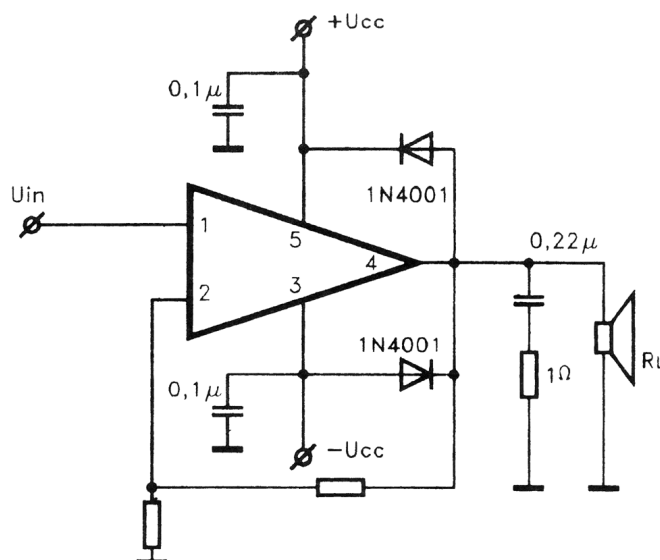
| Tip | UCC min V | UCC nom V | UCC max V | Pout W | RL Ω | Case |
|---------|--------------|--------------|--------------|-----------|----------------|---------|
| KA22131 | 1,8 | 3 | 4,5 | 2X0,069 | 16 | 24-MDIP |



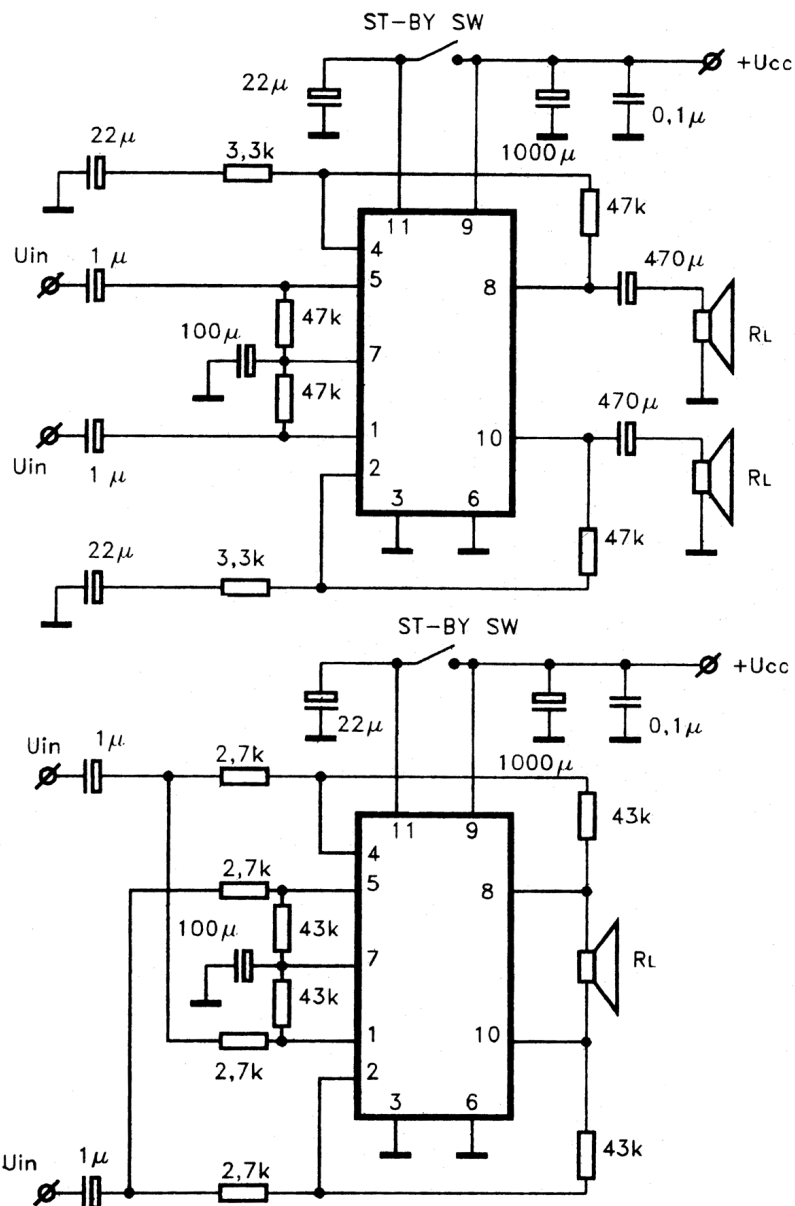
| Tip | UCC min V | UCC nom V | UCC max V | Pout W | RL Ω | Case |
|-------------|--------------|--------------|--------------|-----------|----------------|----------|
| L149 | | ± 16 | ± 20 | 20 | 4 | TO-220/5 |



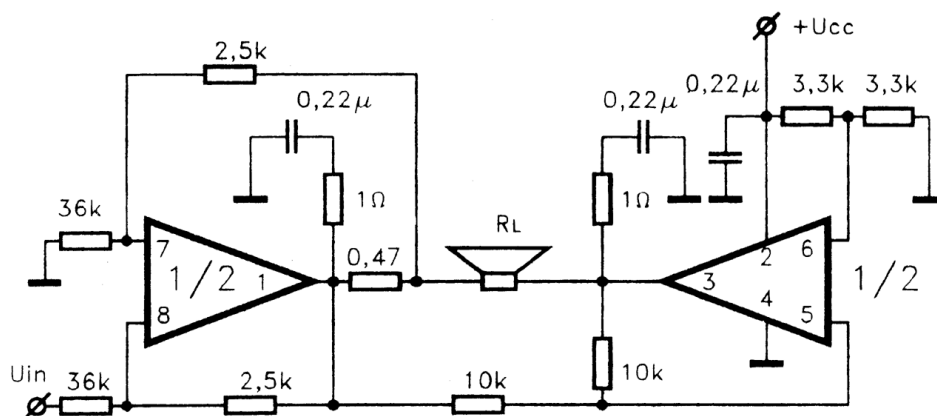
| Tip | UCC min V | UCC nom V | UCC max V | Pout W | RL Ω | Case |
|-------------|--------------|--------------|--------------|-----------|----------------|----------|
| L165 | | ± 15 | ± 18 | 18 | 4 | TO-220/5 |



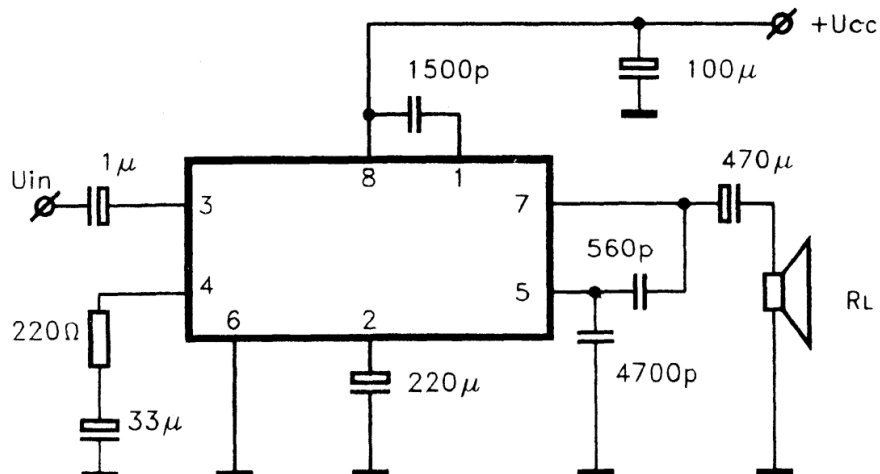
| Tip | UCC min V | UCC nom V | UCC max V | Pout W | RL Ω | Case |
|-------|--------------|--------------|--------------|-----------|----------------|--------|
| L2750 | 4 | 14,4 | 28 | 2X10 | 4 | 11-SQL |
| BTL | 4 | 14,4 | 28 | 22 | 4 | 11-SQL |



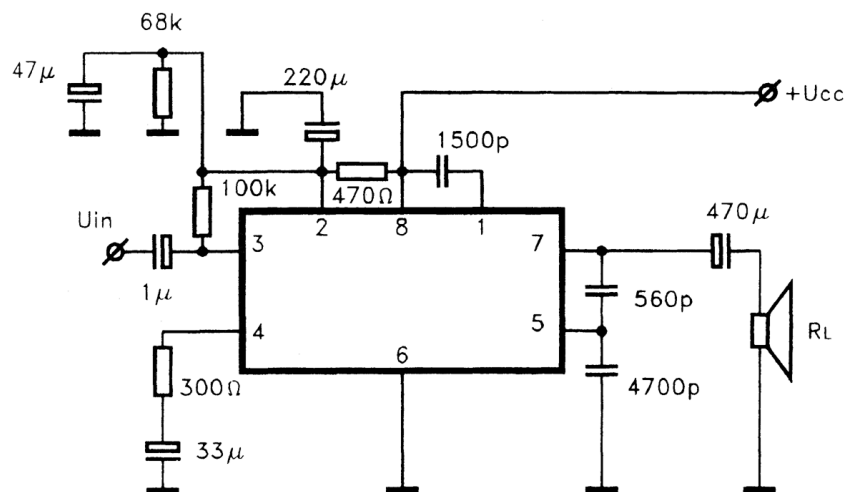
| Tip | UCC min V | UCC nom V | UCC max V | Pout W | RL Ω | Case |
|--------------|--------------|--------------|--------------|-----------|----------------|-------|
| L272M | 4 | 12 | 28 | 2,5 | 10 | 8-DIP |



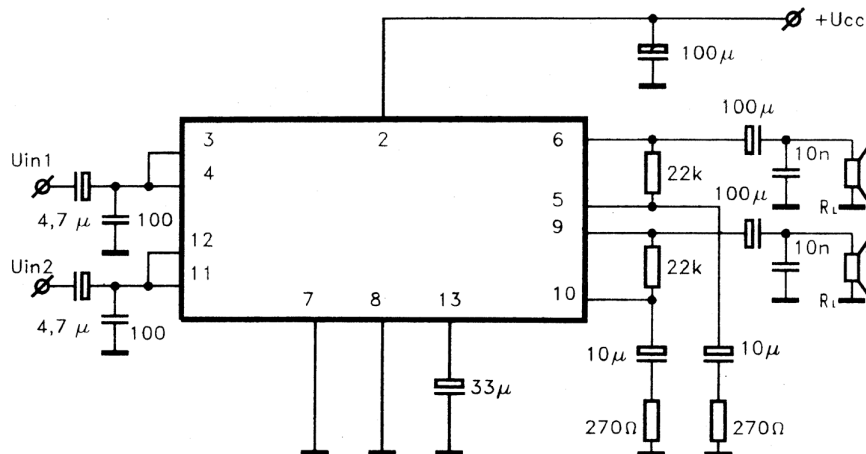
| Tip | UCC min V | UCC nom V | UCC max V | Pout W | RL Ω | Case |
|------------------|--------------|--------------|--------------|-----------|----------------|---------|
| LA4030(P) | 6 | 11 | 16 | 1 | 8 | 8-DIP+a |
| LA4031(P) | 9 | 13 | 18 | 3 | 8 | 8-DIP+a |
| LA4032(P) | 12 | 18 | 25 | 3 | 8 | 8-DIP+a |



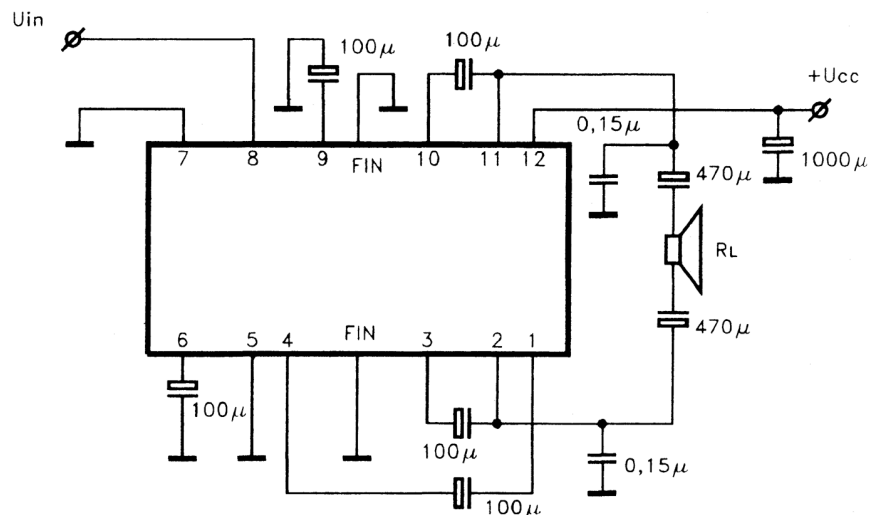
| Tip | UCC min V | UCC nom V | UCC max V | Pout W | RL Ω | Case |
|---------|-----------|-----------|-----------|--------|-------------|---------|
| LA4050P | 9 | 11 | 16 | 1 | 8 | 8-DIP+a |
| LA4051P | 12 | 17 | 23 | 2,5 | 8 | 8-DIP+a |



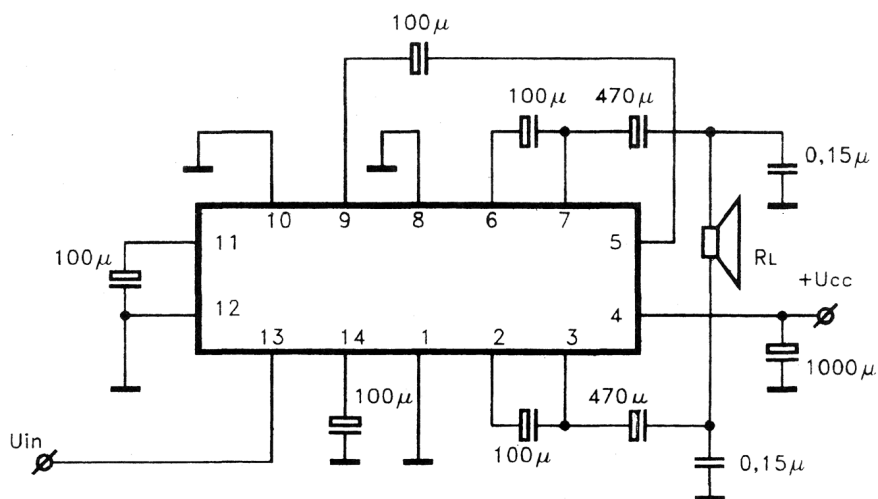
| Tip | UCC min V | UCC nom V | UCC max V | Pout W | RL Ω | Case |
|--------|-----------|-----------|-----------|--------|-------------|----------|
| LA4178 | 3 | 6 | | 32 | | 14-DIP+h |



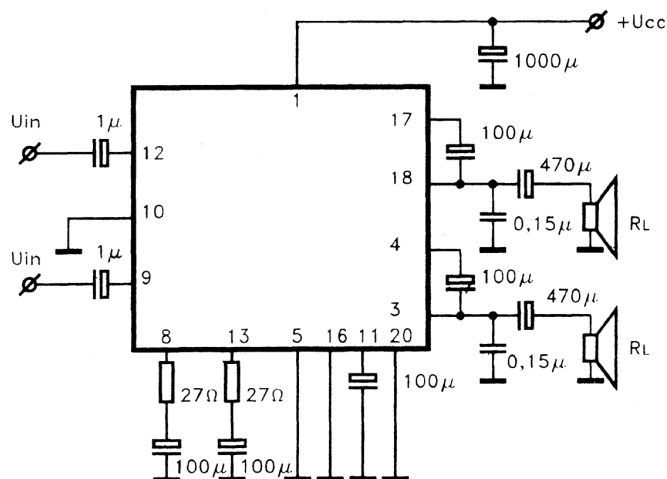
| Tip | UCC min V | UCC nom V | UCC max V | Pout W | RL Ω | Case |
|------------|--------------|--------------|--------------|-----------|----------------|----------|
| LA4183-BTL | 4,5 | 9 | 12 | 4,7 | 8 | 12-DIP+b |



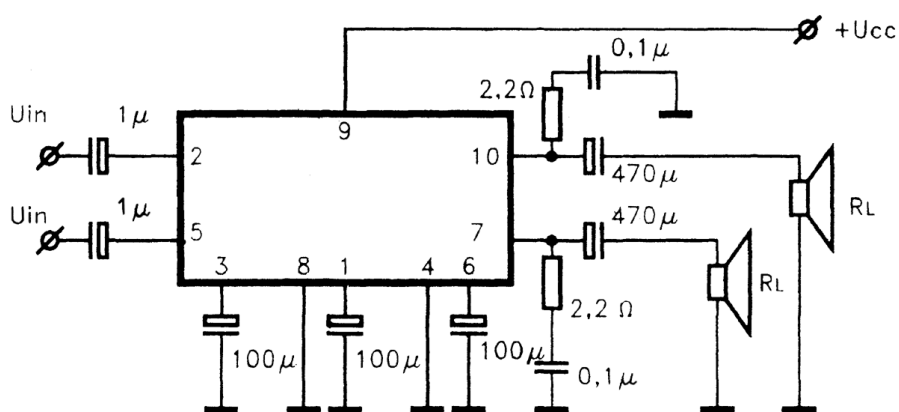
| Tip | UCC min V | UCC nom V | UCC max V | Pout W | RL Ω | Case |
|------------|--------------|--------------|--------------|-----------|----------------|---------|
| LA4185-BTL | 6 | 9 | 15 | 7,7 | 4 | 14-SILP |



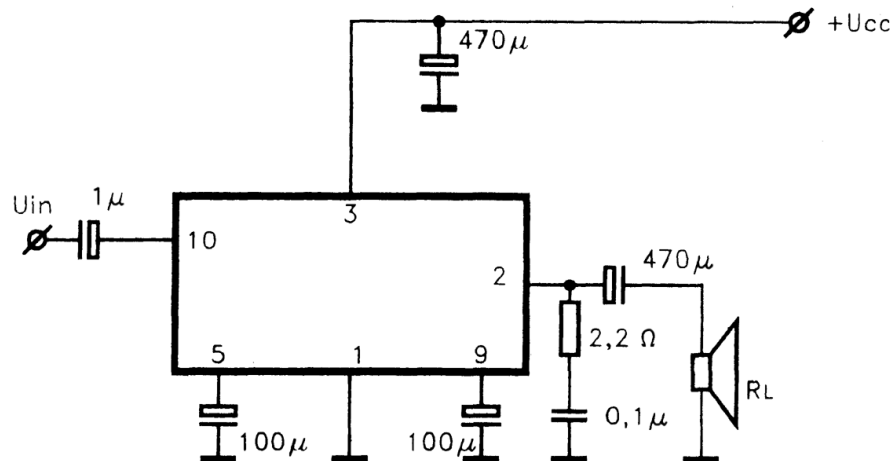
| Tip | UCC min V | UCC nom V | UCC max V | Pout W | RL Ω | Case |
|---------|--------------|--------------|--------------|-----------|----------------|---------|
| LA4195 | | 9 | 13 | 2x2,4 | 4 | 20-DILP |
| LA4195T | | 12 | 18 | 2x2,4 | 4 | 20-DILP |



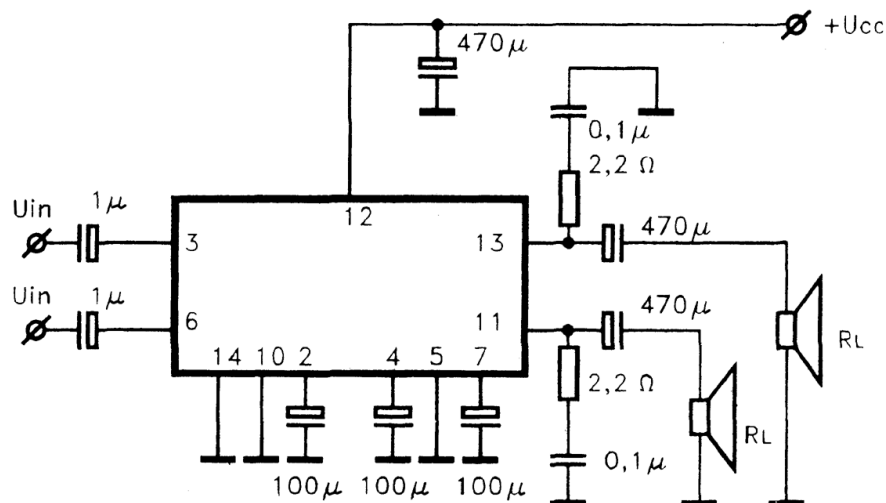
| Tip | UCC min V | UCC nom V | UCC max V | Pout W | RL Ω | Case |
|--------|--------------|--------------|--------------|-----------|----------------|--------|
| LA4260 | 11 | 14 | 22 | 2x2,5 | 8 | 10-SIL |
| LA4261 | 11 | 16 | 25 | 2x3,3 | 8 | 10-SIL |
| LA4270 | | 25 | 35 | 2x6 | 8 | 10-SIL |



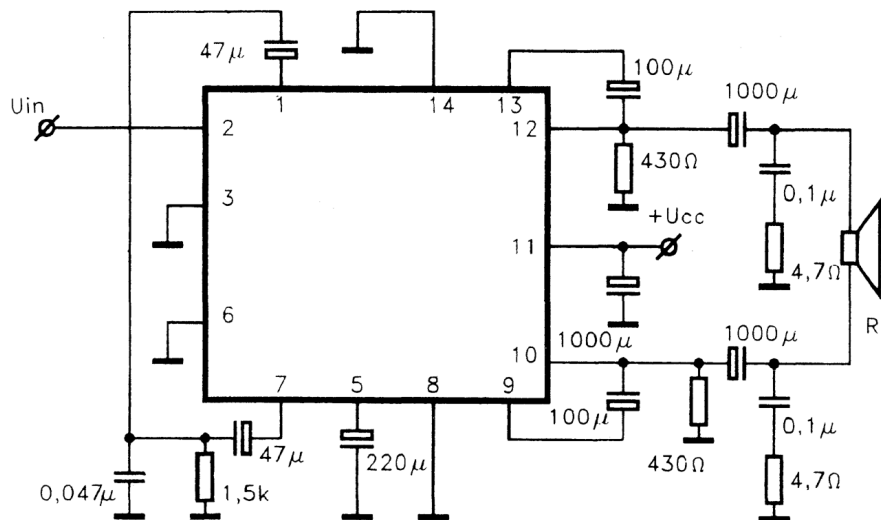
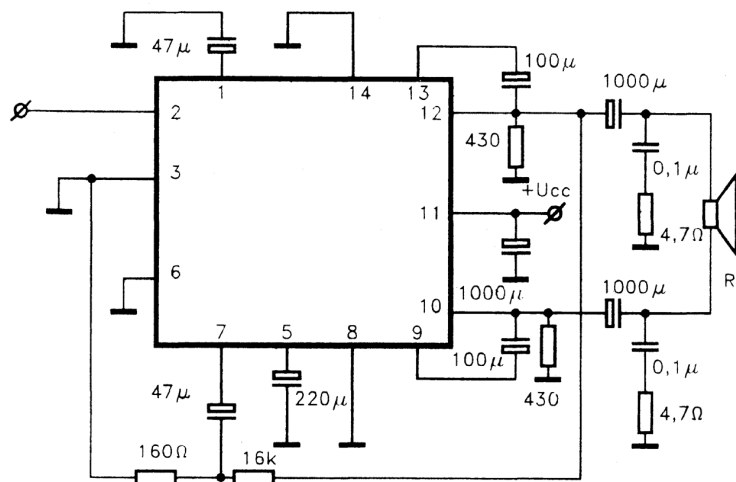
| Tip | UCC min V | UCC nom V | UCC max V | Pout W | RL Ω | Case |
|--------|--------------|--------------|--------------|-----------|----------------|--------|
| LA4265 | | 16 | 25 | 3,5 | 8 | 10-SIL |



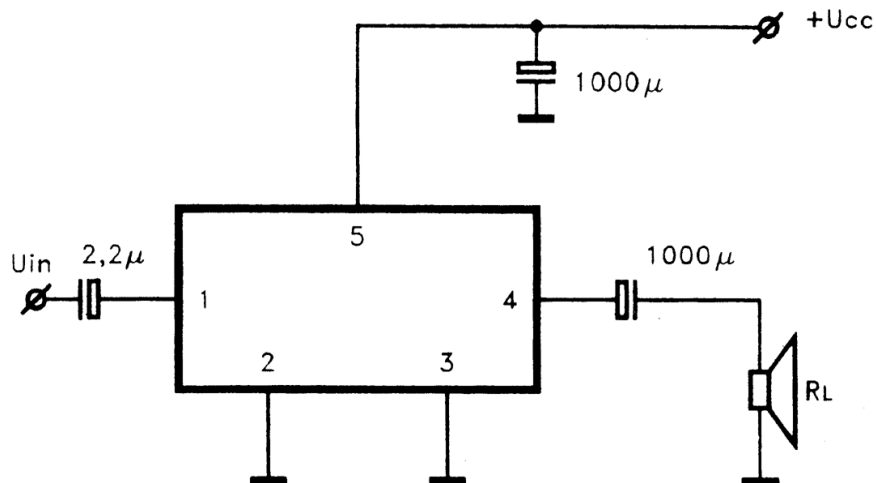
| Tip | UCC min V | UCC nom V | UCC max V | Pout W | RL Ω | Case |
|--------|--------------|--------------|--------------|-----------|----------------|---------|
| LA4280 | 10 | 32 | 40 | 2x10 | 8 | 14-SILP |



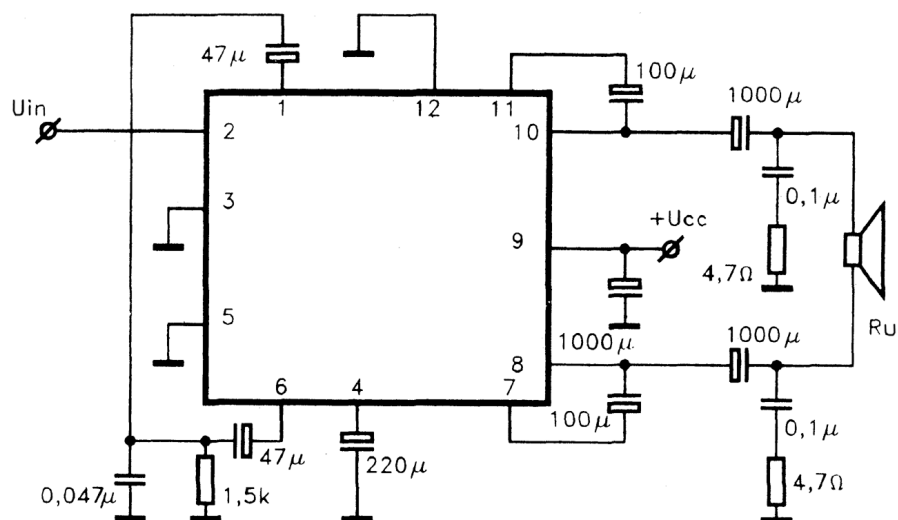
| Tip | UCC min V | UCC nom V | UCC max V | Pout W | RL Ω | Case |
|------------|--------------|--------------|--------------|-----------|----------------|---------|
| LA4440 BTL | 8 | 13 | 18 | 19 | 4 | 14-SILP |



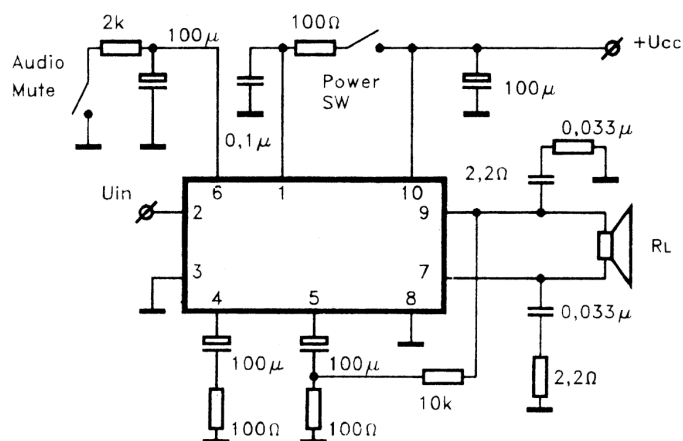
| Tip | UCC min V | UCC nom V | UCC max V | Pout W | RL Ω | Case |
|--------|--------------|--------------|--------------|-----------|----------------|----------|
| LA4425 | 5 | 12 | 16 | 5 | 4 | TO-220/5 |



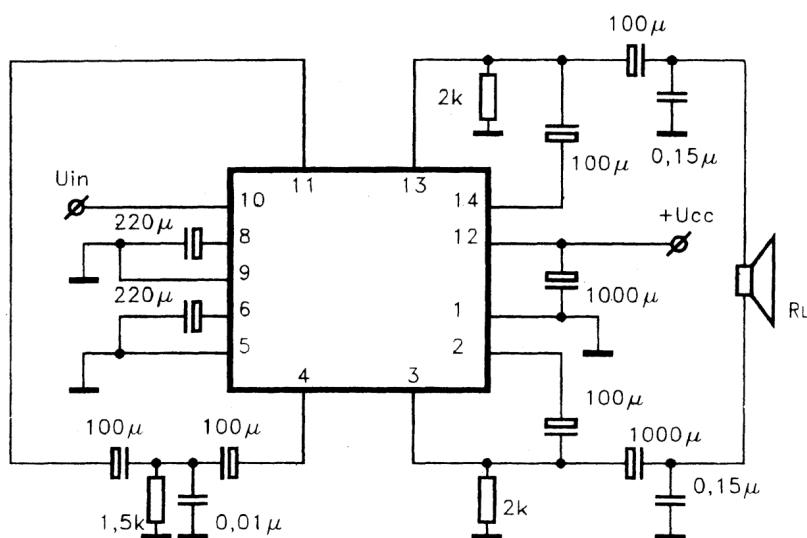
| Tip | UCC min V | UCC nom V | UCC max V | Pout W | RL Ω | Case |
|------------|--------------|--------------|--------------|-----------|----------------|---------|
| LA4445 BTL | 9 | 13 | 18 | 12 | 4 | 12-SILP |



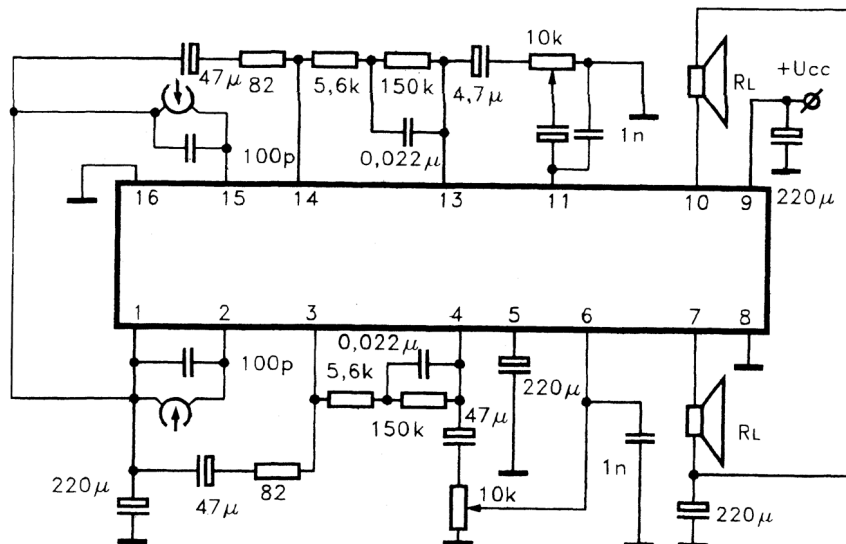
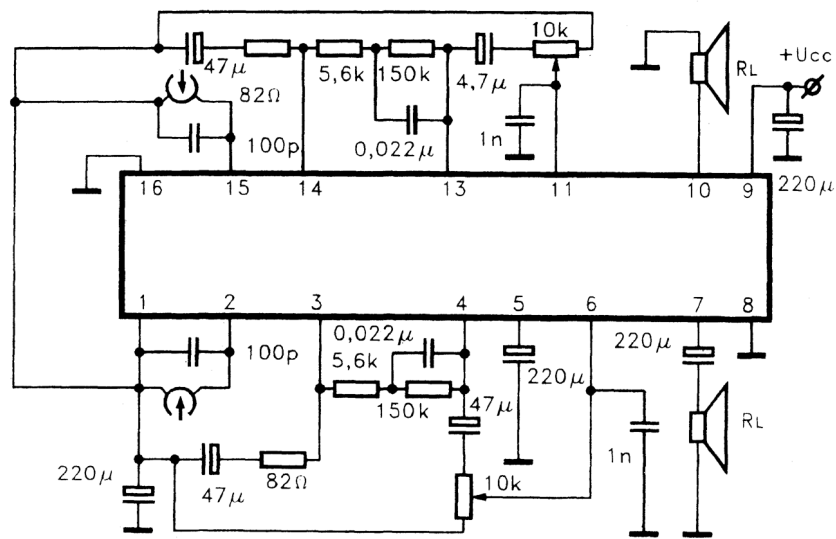
| Tip | UCC min V | UCC nom V | UCC max V | Pout W | RL Ω | Case |
|--------|-----------|-----------|-----------|--------|-------------|---------|
| LA4465 | 9 | 13,2 | 18 | 12 | 4 | 10-SILP |
| LA4466 | 9 | 13,2 | 18 | 12 | 4 | 10-SILP |



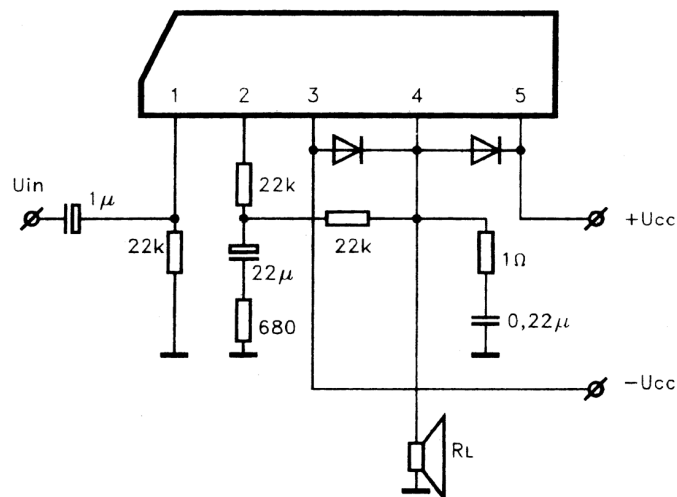
| Tip | UCC min V | UCC nom V | UCC max V | Pout W | RL Ω | Case |
|--------|-----------|-----------|-----------|--------|-------------|---------|
| LA4507 | 9 | 16 | 24 | | 6 | 14-SILP |



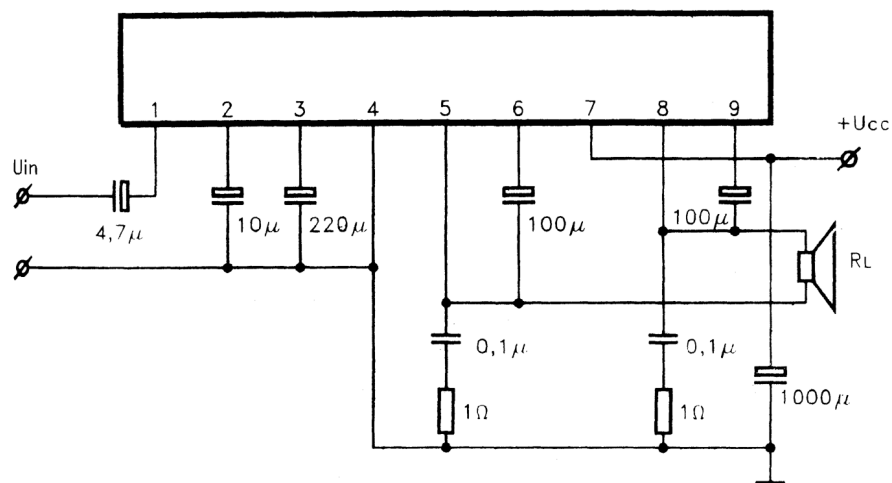
| Tip | UCC min V | UCC nom V | UCC max V | Pout W | RL Ω | Case |
|---------|--------------|--------------|--------------|-----------|---------|-------|
| LA4570M | 1,8 | 3 | 4,5 | 2x0,04 | 16 | 16-SO |



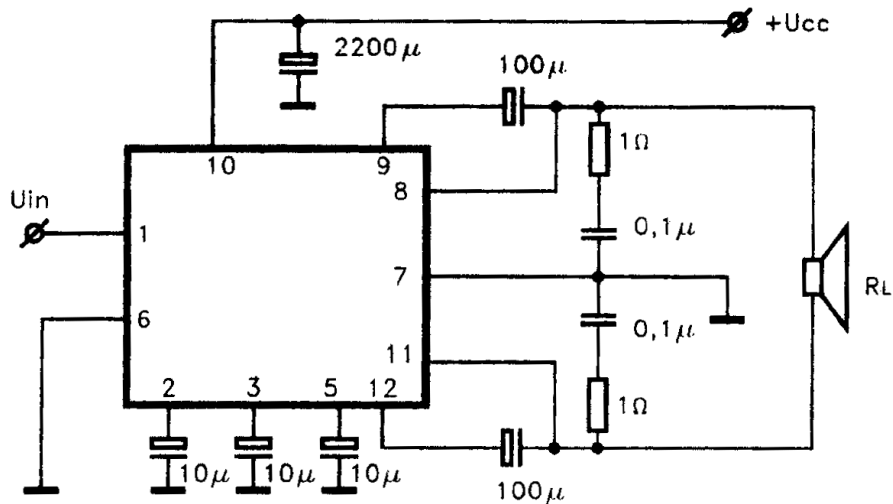
| Tip | UCC min V | UCC nom V | UCC max V | Pout W | RL Ω | Case |
|---------------|--------------|--------------|--------------|-----------|----------------|----------|
| LM1875 | ± 10 | ± 15 | ± 22 | 25 | 4 | TO-220/5 |



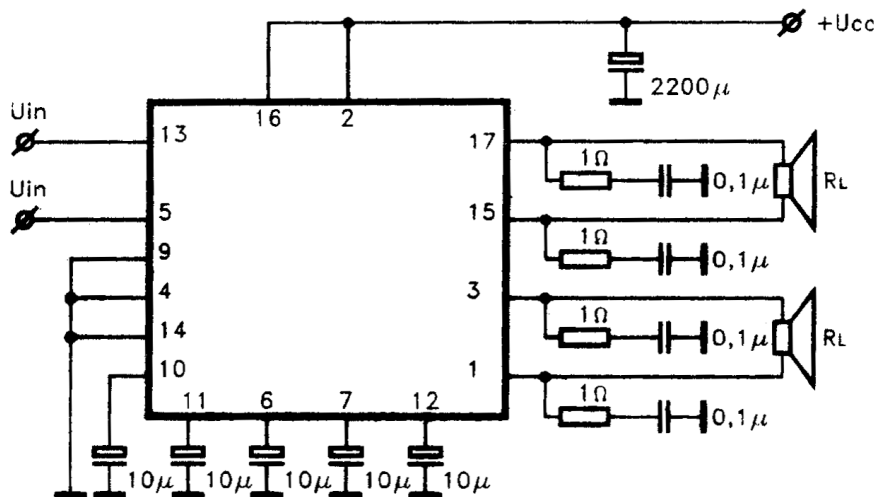
| Tip | UCC min V | UCC nom V | UCC max V | Pout W | RL Ω | Case |
|---------------|--------------|--------------|--------------|-----------|----------------|-------|
| MB3735 | 8 | 13 | 16 | 20 | 4 | 9-SIL |



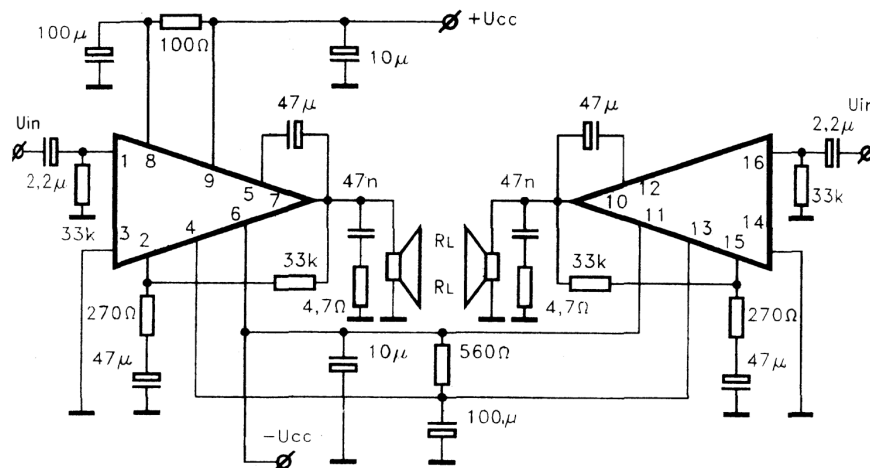
| Tip | UCC min V | UCC nom V | UCC max V | Pout W | RL Ω | Case |
|---------------|--------------|--------------|--------------|-----------|----------------|---------|
| MB3737 | 9 | 13 | 18 | 23 | 4 | 12-SILP |



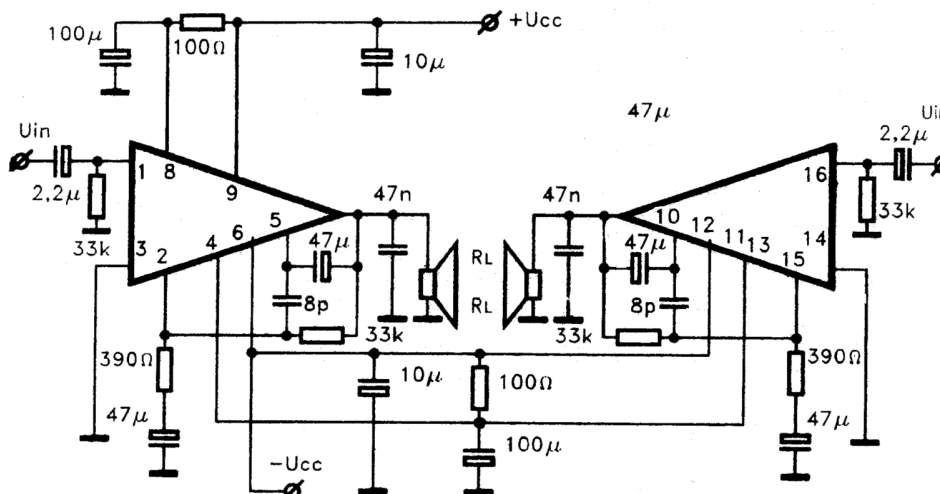
| Tip | UCC min V | UCC nom V | UCC max V | Pout W | RL Ω | Case |
|---------------|--------------|--------------|--------------|-----------|----------------|------|
| MB3742 | 9 | 13 | 16 | 2X15 | 4 | |



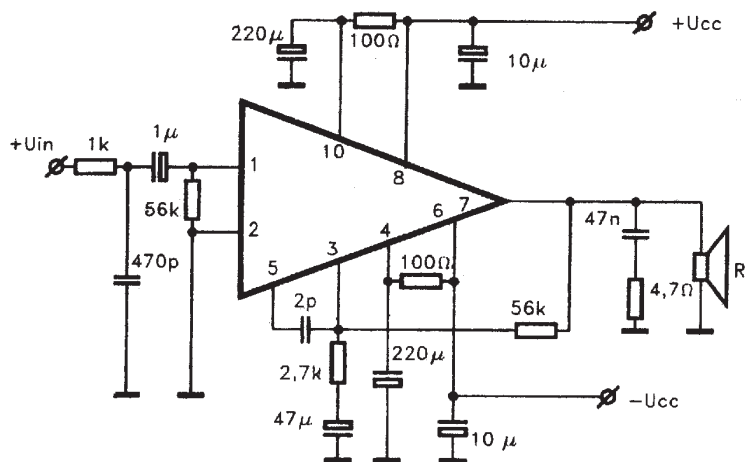
| Tip | UCC min V | UCC nom V | UCC max V | Pout W | RL Ω | Case |
|---------------|--------------|--------------|--------------|-----------|----------------|------|
| STK040 | $\pm 16,5$ | ± 25 | 120 | 2x10 | 8 | HYB |



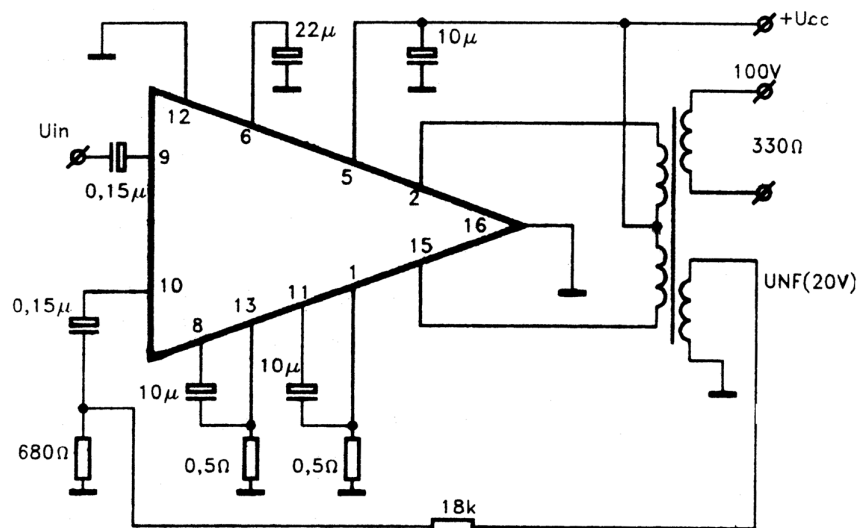
| Tip | UCC nom V | UCC max V | Icco mA | Pout W | RL Ω | Case |
|---------------|--------------|--------------|------------|-----------|----------------|------|
| STK043 | ± 22 | $\pm 32,5$ | 120 | 2X20 | 8 | |



| Tip | UCC nom V | UCC max V | Icco mA | Pout W | RL Ω | Case |
|--------|-----------|-----------|---------|--------|-------------|------|
| STK055 | ± 20 | ± 28 | 100 | 15 | 8 | HYB |
| STK057 | ± 22 | ± 32 | 100 | 20 | 8 | HYB |
| STK060 | ± 27 | ± 39 | 100 | 30 | 8 | HYB |

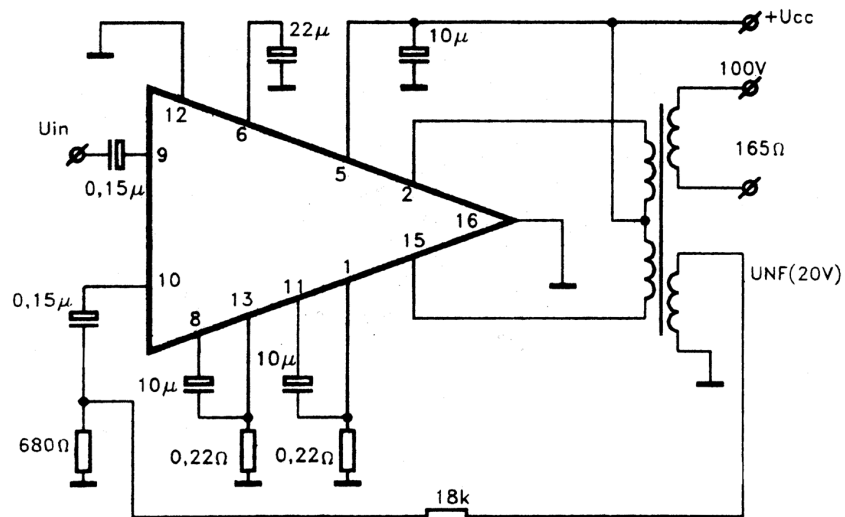


| Tip | UCC nom V | UCC max V | Icco mA | Pout W | RL Ω | Case |
|--------|-----------|-----------|---------|--------|-------------|------|
| STK067 | 26,4 | 35 | 50 | 30 | 330 | |

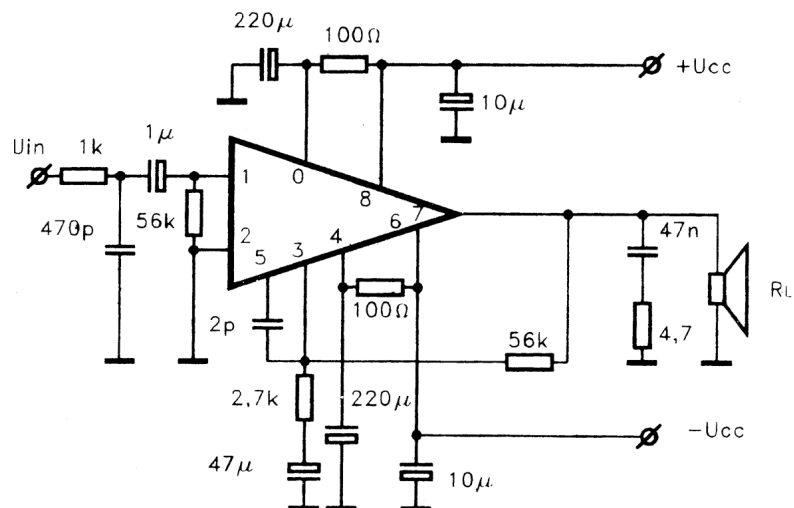


18000 Niš, Jovana Ristića 7, P.O.Box 135, Tel: 018 / 520-455, 522-814, 522-965, fax: 522-660
<http://www.MGelectronic.co.yu> e-mail: office@MGelectronic.co.yu

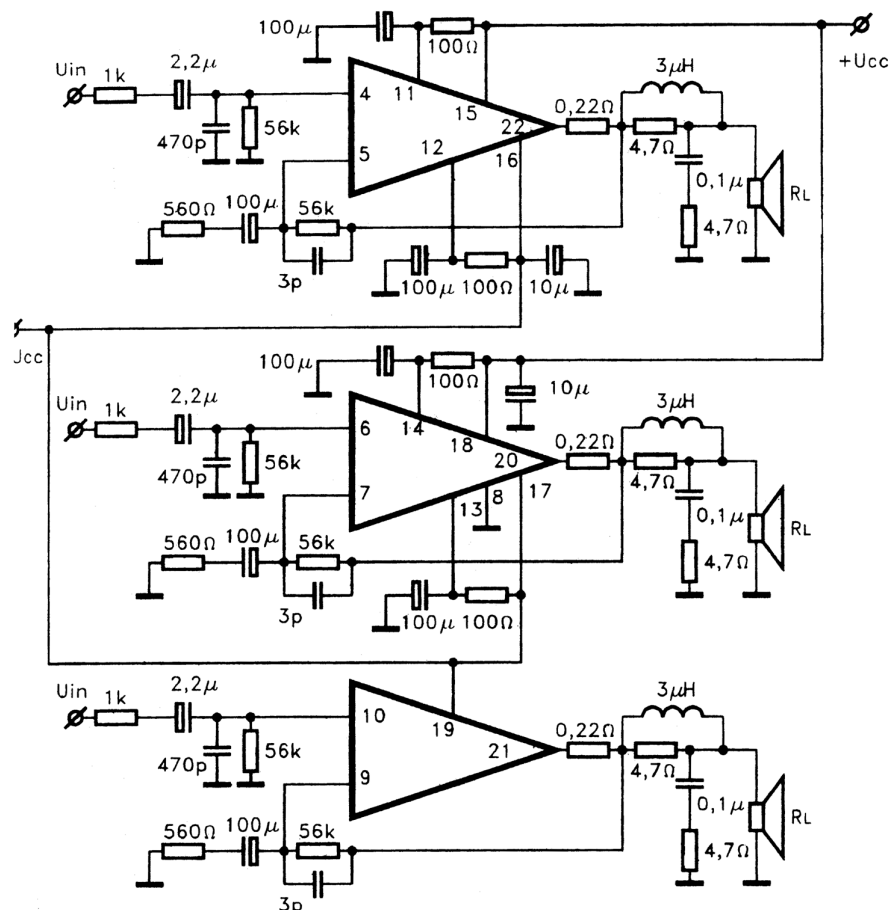
| Tip | UCC nom V | UCC max V | Icco mA | Pout W | RL Ω | Case |
|---------------|--------------|--------------|------------|-----------|----------------|------|
| STK071 | 26,4 | 35 | 80 | 60 | 165 | HYB |



| Tip | UCC min V | UCC nom V | UCC max V | Pout W | RL Ω | Case |
|-------------------|--------------|--------------|--------------|-----------|----------------|------|
| STK078-105 | ± 25 | ± 35 | 100 | 24 | 8 | |

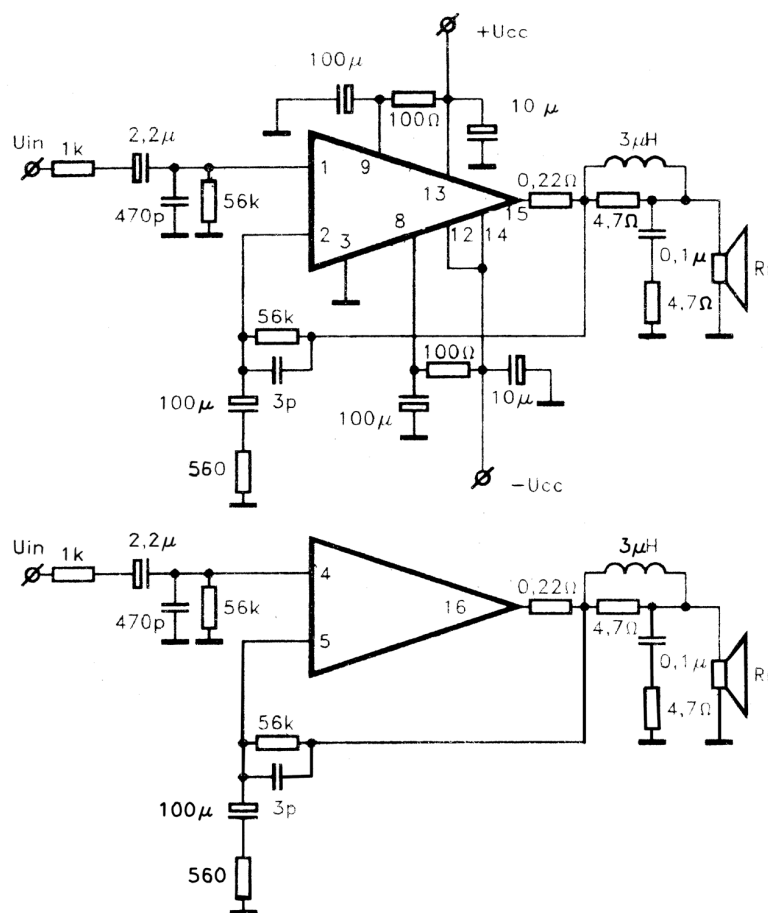


| Tip | UCC nom V | UCC max V | Icco mA | Pout W | RL Ω | Case |
|------------|------------|-----------|---------|--------|-------------|------|
| STK400-010 | $\pm 15,5$ | ± 26 | | 3x10 | 6 | HYB |
| STK400-020 | ± 20 | ± 29 | | 3x15 | 6 | HYB |
| STK400-030 | ± 23 | ± 34 | | 3x20 | 6 | HYB |
| STK400-040 | ± 25 | ± 36 | | 3x25 | 6 | HYB |
| STK400-050 | ± 26 | ± 39 | | 3x30 | 6 | HYB |
| STK400-060 | ± 28 | ± 41 | | 3x35 | 6 | HYB |
| STK400-070 | ± 30 | ± 44 | | 3x40 | 6 | HYB |
| STK400-080 | ± 31 | ± 45 | | 3x45 | 6 | HYB |
| STK400-090 | ± 32 | ± 47 | | 3x50 | 6 | HYB |

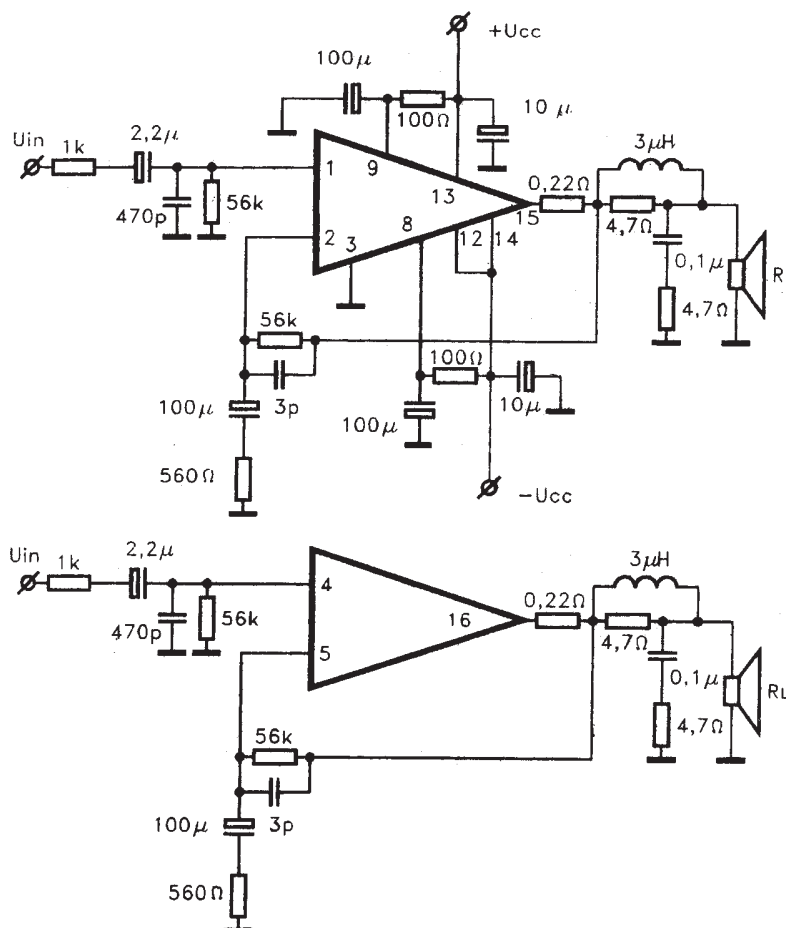


18000 Niš, Jovana Ristića 7, P.O.Box 135, Tel: 018 / 520-455, 522-814, 522-965, fax: 522-660
<http://www.MGElectronic.co.yu> e-mail: office@MGElectronic.co.yu

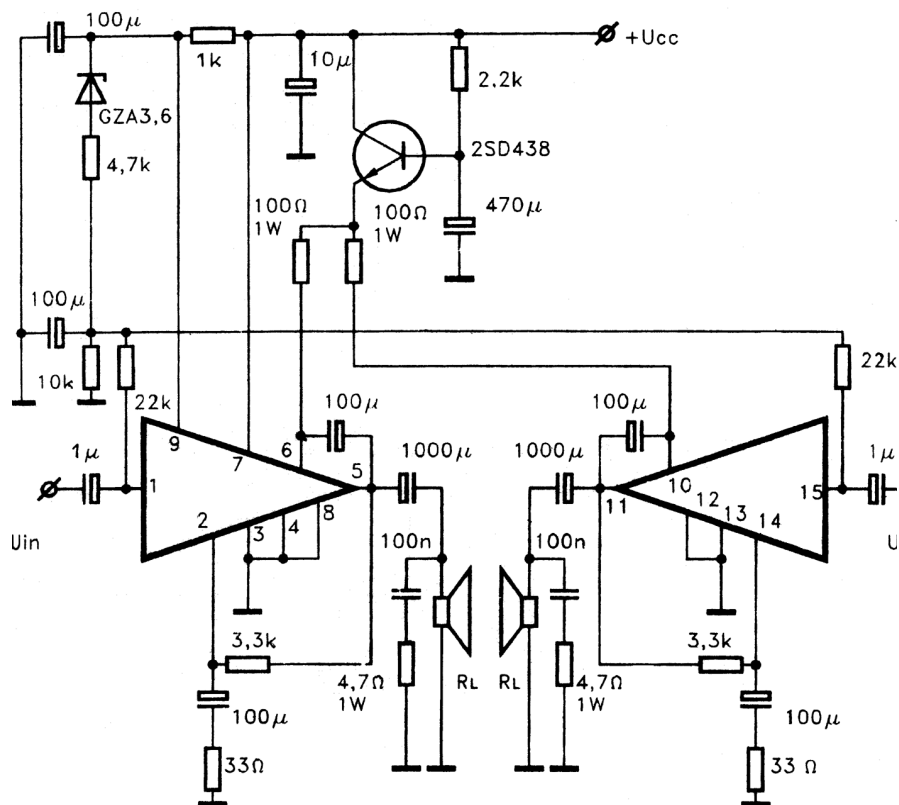
| Tip | UCC min V | UCC nom V | UCC max V | Pout W | RL Ω | Case |
|------------|--------------|--------------|--------------|-----------|----------------|--------|
| STK401-010 | ± 17 | ± 26 | | 2x10 | 6 | HYB 11 |
| STK401-020 | ± 20 | ± 29 | | 2x15 | 6 | HYB 11 |
| STK401-030 | ± 23 | ± 34 | | 2x20 | 6 | HYB 11 |
| STK401-040 | ± 25 | ± 36 | | 2x25 | 6 | HYB 11 |
| STK401-050 | ± 26 | ± 39 | | 2x30 | 6 | HYB 11 |
| STK401-060 | ± 28 | ± 41 | | 2x35 | 6 | HYB 11 |
| STK401-070 | ± 30 | ± 44 | | 2x40 | 6 | HYB 11 |
| STK401-080 | ± 31 | ± 45 | | 2x45 | 6 | HYB 11 |
| STK401-090 | ± 32 | ± 47 | | 2x50 | 6 | HYB 11 |



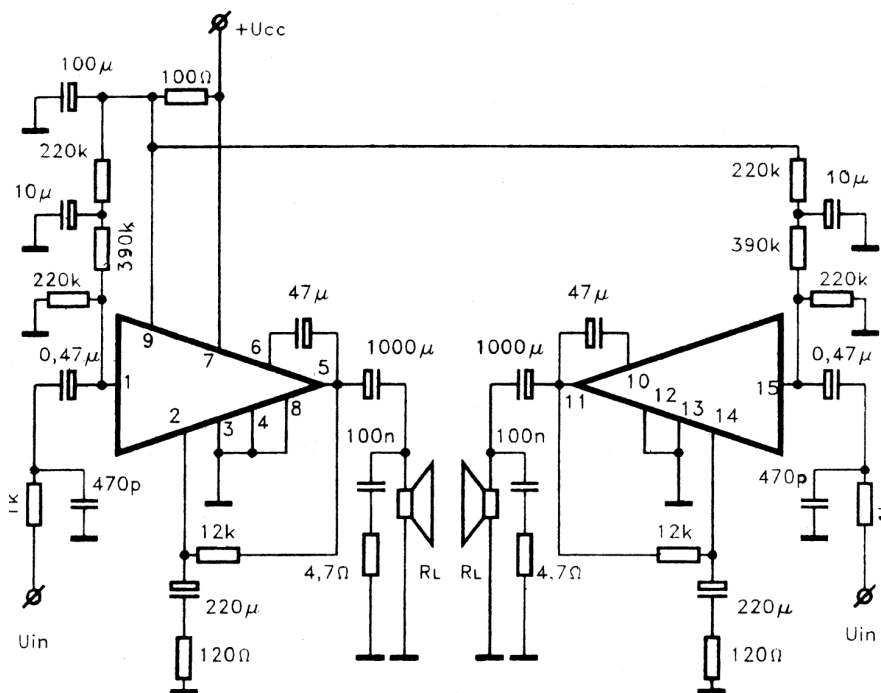
| Tip | UCC nom V | UCC max V | Icco mA | Pout W | RL Ω | Case |
|------------|------------|-----------|---------|--------|-------------|------|
| STK401-210 | $\pm 17,5$ | ± 26 | | 2x10 | 6 | HYB |
| STK401-220 | ± 20 | ± 29 | | 2x15 | 6 | HYB |
| STK401-230 | ± 23 | ± 34 | | 2x20 | 6 | HYB |
| STK401-240 | ± 25 | ± 36 | | 2x25 | 6 | HYB |
| STK401-250 | ± 26 | ± 39 | | 2x30 | 6 | HYB |
| STK401-260 | ± 28 | ± 41 | | 2x35 | 6 | HYB |
| STK401-270 | ± 30 | ± 44 | | 2x40 | 6 | HYB |
| STK401-280 | ± 31 | ± 45 | | 2x45 | 6 <td HYB | |
| STK401-290 | ± 32 | ± 47 | | 2x50 | 6 | HYB |



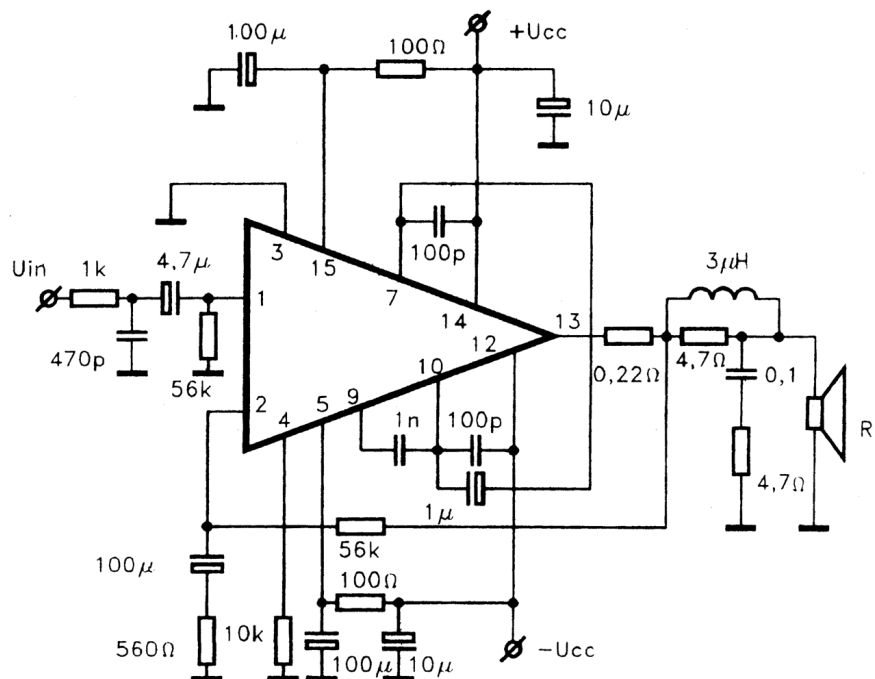
| Tip | UCC min V | UCC nom V | UCC max V | Pout W | RL Ω | Case |
|-----------------|--------------|--------------|--------------|-----------|----------------|------|
| STK430II | 26,4 | 43 | 120 | 2X18 | 4 | HYB |



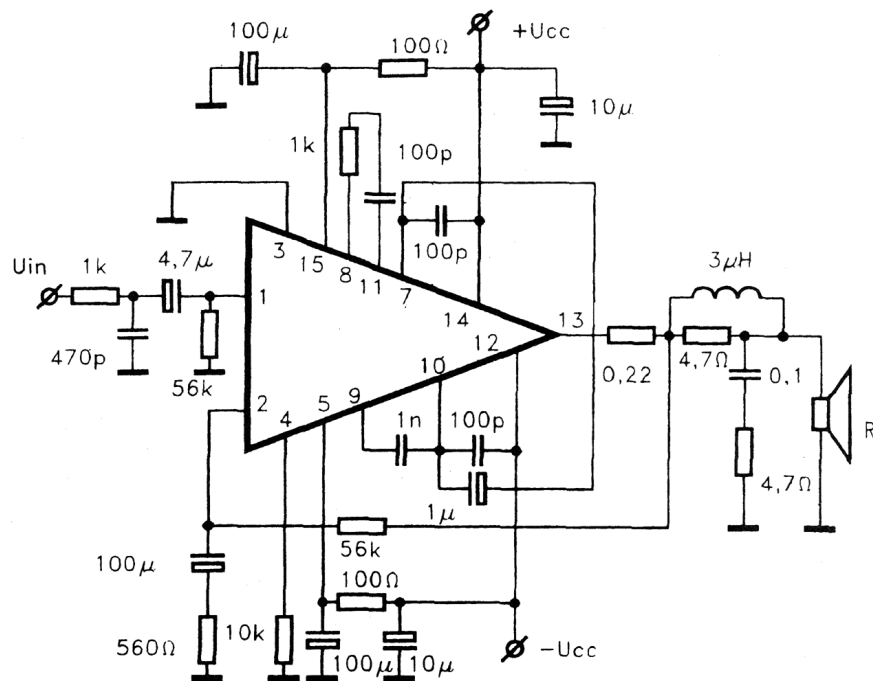
| Tip | UCC min V | UCC nom V | UCC max V | Pout W | RL Ω | Case |
|------------|--------------|--------------|--------------|-----------|----------------|--------|
| STK433 | 23 | 32 | 120 | 2X5 | 8 | HYB 31 |
| STK433-105 | 23 | 32 | 120 | 2X5 | 8 | HYB 31 |
| STK441-105 | 44 | 63 | 120 | 2X20 | 8 | HYB 31 |



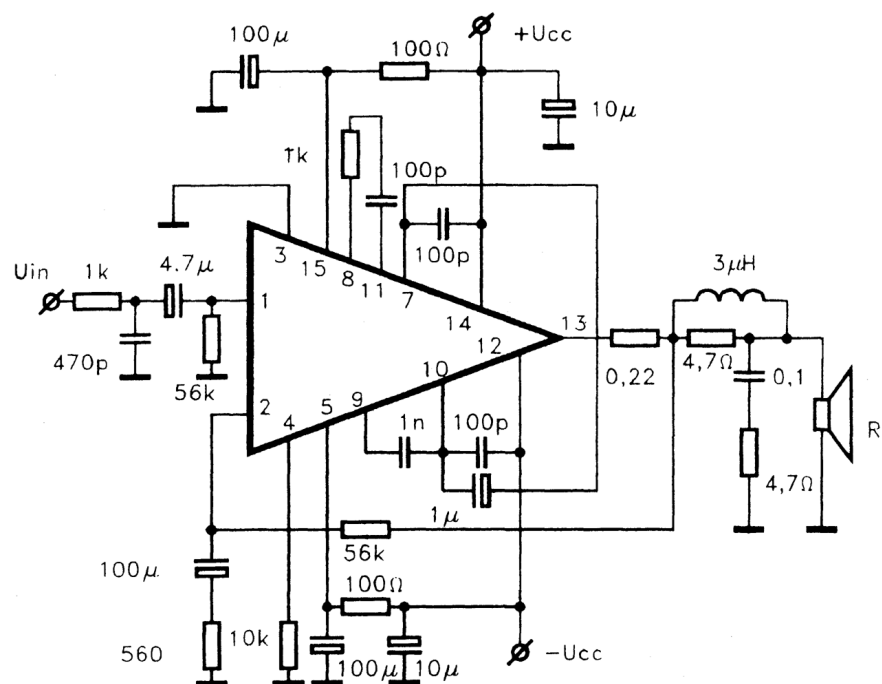
| Tip | UCC min V | UCC nom V | UCC max V | Pout W | RL Ω | Case |
|-----------|--------------|--------------|--------------|-----------|----------------|--------|
| STK4024II | ± 23 | $\pm 34,5$ | | 20 | 8 | HYB 31 |
| STK4026II | ± 26 | ± 38 | | 25 | 8 | HYB 31 |
| STK4028II | $\pm 27,5$ | ± 42 | | 30 | 8 | HYB 31 |
| STK4030II | ± 30 | ± 45 | | 35 | 8 | HYB 31 |
| STK4032II | ± 32 | ± 48 | | 40 | 8 | HYB 31 |
| STK4034II | $\pm 33,5$ | ± 50 | | 45 | 8 | HYB 31 |
| STK4036II | ± 35 | ± 52 | | 50 | 8 | HYB 31 |
| STK4038II | ± 38 | ± 57 | | 60 | 8 | HYB 31 |
| STK4040II | ± 42 | ± 60 | | 70 | 8 | HYB 31 |
| STK4042II | ± 45 | ± 65 | | 80 | 8 | HYB 10 |
| STK4044II | ± 51 | ± 73 | | 100 | 8 | HYB 10 |



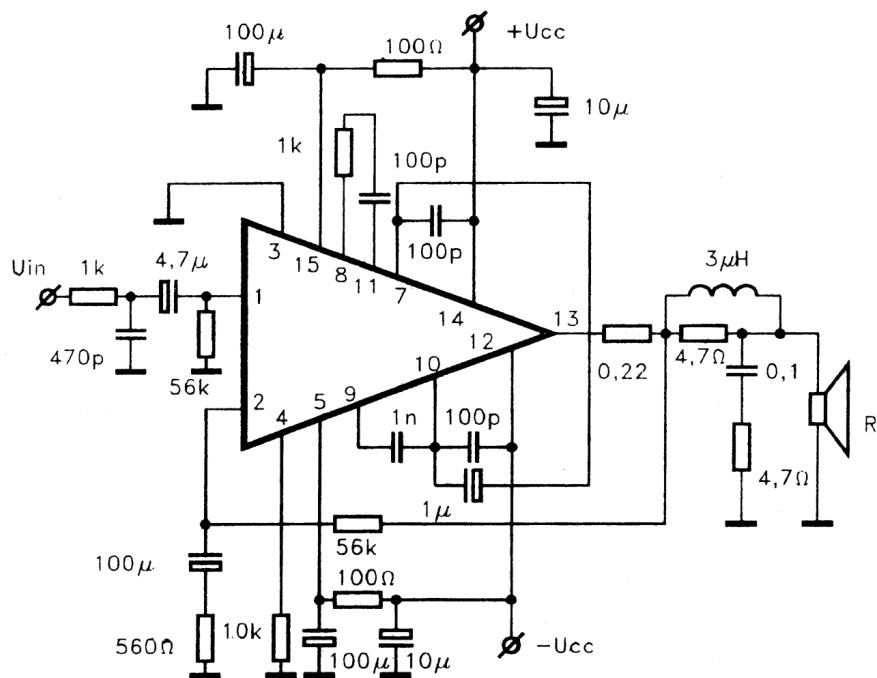
| Tip | UCC min V | UCC nom V | UCC max V | Pout W | RL Ω | Case |
|----------|--------------|--------------|--------------|-----------|----------------|--------|
| STK4024V | $\pm 24,5$ | ± 37 | | 20 | 8 | HYB 34 |
| STK4026V | ± 26 | ± 39 | | 25 | 8 | HYB 34 |
| STK4028V | $\pm 27,5$ | ± 42 | | 30 | 8 | HYB 34 |
| STK4030V | ± 30 | ± 46 | | 35 | 8 | HYB |
| STK4032V | ± 32 | ± 49 | | 40 | 8 | HYB |
| STK4034V | $\pm 33,5$ | ± 50 | | 45 | 8 | HYB |
| STK4036V | ± 35 | ± 52 | | 50 | 8 | HYB |
| STK4038V | ± 38 | ± 57 | | 60 | 8 | HYB 34 |
| STK4040V | ± 42 | ± 62 | | 70 | 8 | HYB 34 |
| STK4042V | ± 45 | ± 65 | | 80 | 8 | HYB 10 |
| STK4044V | ± 51 | ± 73 | | 100 | 8 | HYB 10 |



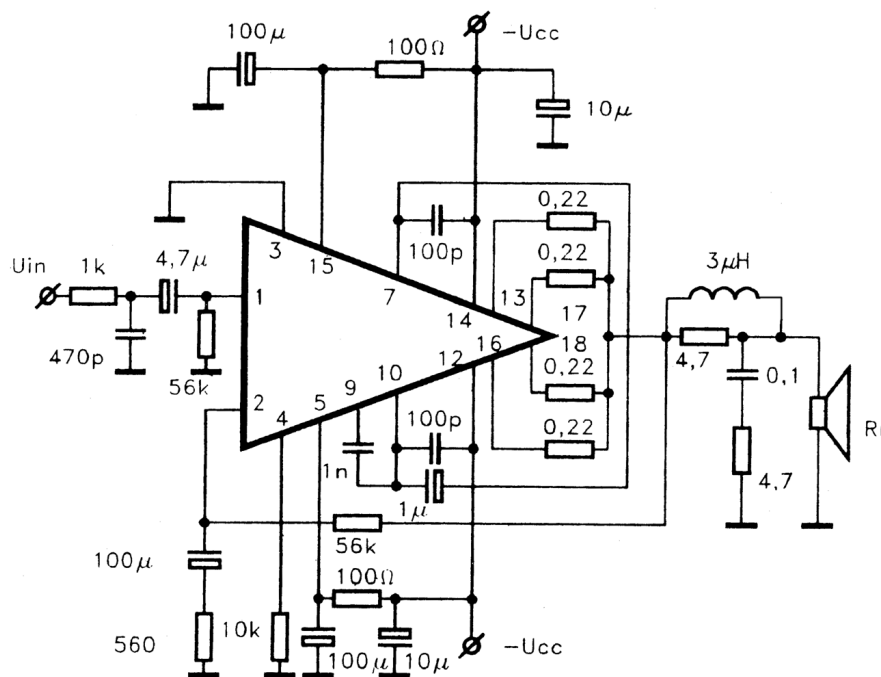
| Tip | UCC min V | UCC nom V | UCC max V | Pout W | RL Ω | Case |
|----------|--------------|--------------|--------------|-----------|----------------|--------|
| STK4028X | ± 29 | ± 42 | | 30 | 8 | HYB |
| STK4030X | ± 32 | ± 46 | | 35 | 8 | HYB |
| STK4032X | $\pm 33,5$ | ± 49 | | 40 | 8 | HYB |
| STK4034X | ± 35 | ± 50 | | 45 | 8 | HYB |
| STK4036X | ± 37 | ± 52 | | 50 | 8 | HYB |
| STK4038X | $\pm 39,5$ | ± 57 | | 60 | 8 | HYB |
| STK4040X | $\pm 42,5$ | ± 62 | | 70 | 8 | HYB |
| STK4042X | ± 46 | ± 67 | | 80 | 8 | HYB 10 |
| STK4044X | ± 51 | ± 74 | | 100 | 8 | HYB 10 |



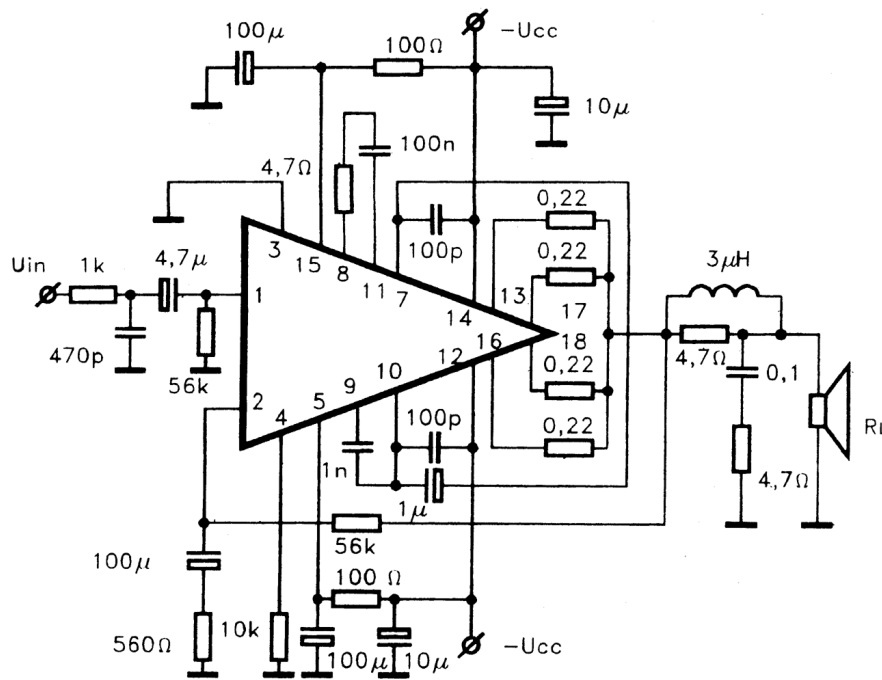
| Tip | UCC min V | UCC nom V | UCC max V | Pout W | RL Ω | Case |
|-----------|--------------|--------------|--------------|-----------|---------|--------|
| STK4036XI | ±37 | ±53,5 | | 50 | 8 | HYB |
| STK4038XI | ±40 | ±58 | | 60 | 8 | HYB |
| STK4040XI | ±43 | ±63 | | 70 | 8 | HYB |
| STK4042XI | ±46,5 | ±67 | | 80 | 8 | HYB |
| STK4044XI | ±51 | ±74 | | 100 | 8 | HYB 10 |



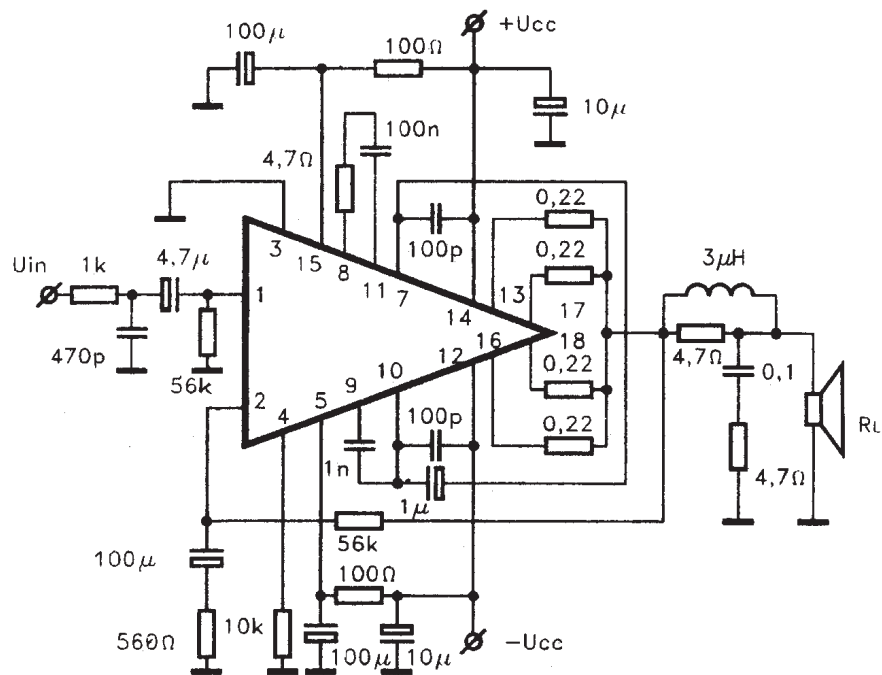
| Tip | UCC min V | UCC nom V | UCC max V | Pout W | RL Ω | Case |
|-----------|--------------|--------------|--------------|-----------|----------------|--------|
| STK4046II | ± 54 | ± 80 | | 120 | 8 | HYB |
| STK4048II | ± 59 | ± 86 | | 150 | 8 | HYB 16 |
| STK4050II | ± 66 | ± 95 | | 200 | 8 | HYB 16 |



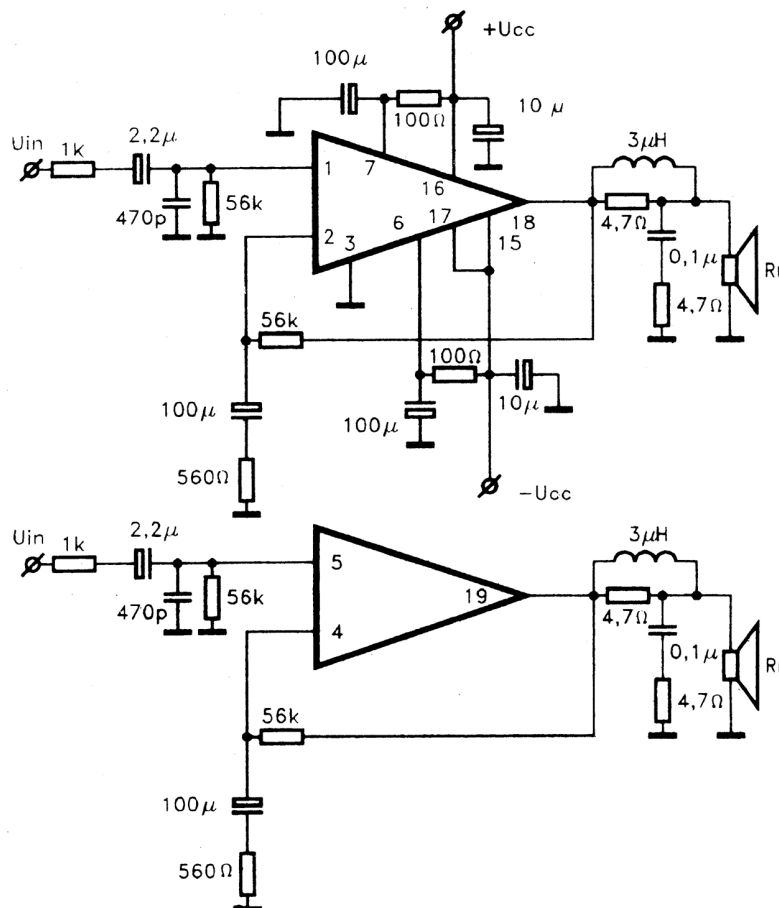
| Tip | UCC min V | UCC nom V | UCC max V | Pout W | RL Ω | Case |
|----------|--------------|--------------|--------------|-----------|----------------|------|
| STK4046V | ± 55 | ± 80 | | 120 | 8 | HYB |
| STK4048V | ± 60 | ± 87 | | 150 | 8 | HYB |
| STK4050V | ± 66 | ± 95 | | 200 | 8 | HYB |



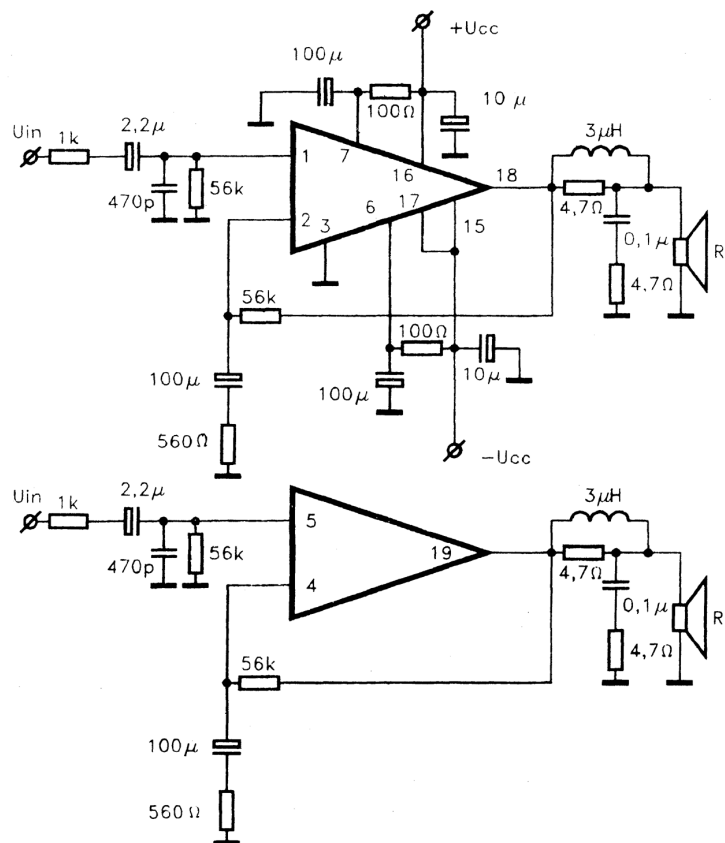
| Tip | UCC nom V | UCC max V | Icco mA | Pout W | RL Ω | Case |
|-----------|--------------|--------------|------------|-----------|----------------|------|
| STK4046XI | ± 55 | ± 80 | | 120 | 8 | HYB |
| STK4048XI | ± 60 | ± 87 | | 150 | 8 | HYB |



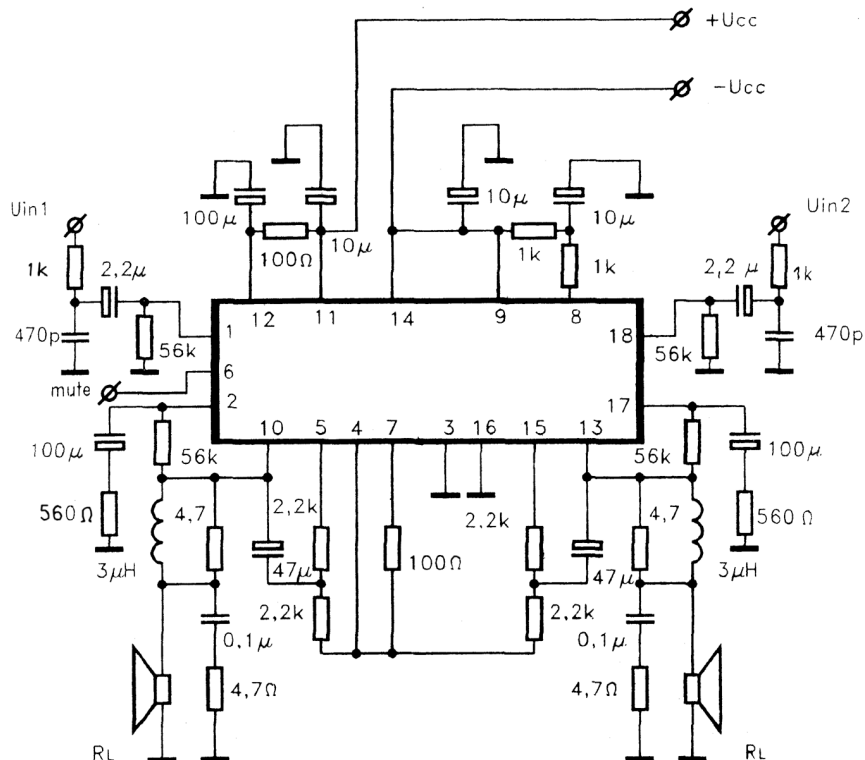
| Tip | UCC min V | UCC nom V | UCC max V | Pout W | RL Ω | Case |
|------------|--------------|--------------|--------------|-----------|----------------|--------|
| STK4100MK2 | $\pm 13,5$ | $\pm 20,5$ | | 2x6 | 4 | HYB |
| STK4110MK2 | ± 17 | ± 27 | | 2x10 | 4 | HYB |
| STK4120MK2 | ± 21 | $\pm 30,5$ | | 2x15 | 4 | HYB |
| STK4130II | ± 23 | $\pm 34,5$ | | 2x20 | 4 | HYB 39 |
| STK4140II | ± 27 | ± 40 | | 2x25 | 4 | HYB 39 |
| STK4150II | ± 28 | ± 42 | | 2x30 | 4 | HYB 39 |
| STK4160MK2 | $\pm 30,5$ | ± 45 | | 2x35 | 4 | HYB |
| STK4170MK2 | ± 32 | ± 48 | | 2x40 | 4 | HYB |
| STK4180MK2 | $\pm 33,5$ | ± 50 | | 2x45 | 4 | HYB |
| STK4190MK2 | ± 35 | $\pm 52,5$ | | 2x50 | 4 | HYB |



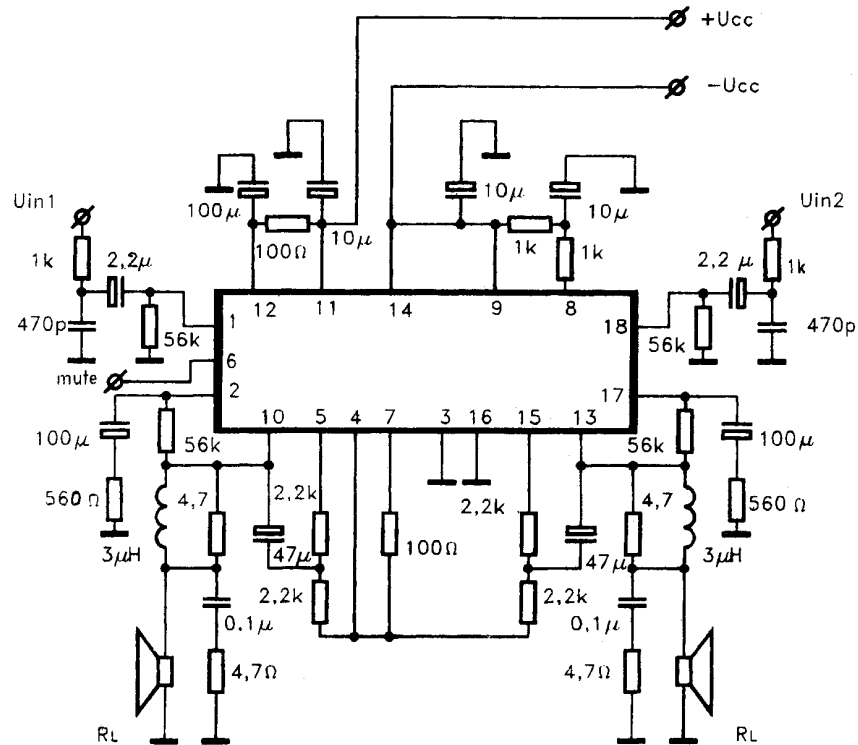
| Tip | UCC min V | UCC nom V | UCC max V | Pout W | RL Ω | Case |
|------------|--------------|--------------|--------------|-----------|----------------|------|
| STK4100MK5 | ± 14 | ± 21 | | 2x6 | 8 | HYB |
| STK4110MK5 | ± 18 | ± 27 | | 2x10 | 8 | HYB |
| STK4120MK5 | $\pm 21,5$ | ± 32 | | 2x15 | 8 | HYB |
| STK4130MK5 | $\pm 24,5$ | ± 36 | | 2x20 | 8 | HYB |
| STK4140MK5 | ± 27 | $\pm 40,5$ | | 2x25 | 8 | HYB |
| STK4150MK5 | $\pm 28,5$ | ± 42 | | 2x30 | 8 | HYB |
| STK4160MK5 | $\pm 30,5$ | ± 46 | | 2x35 | 8 | HYB |
| STK4170MK5 | $\pm 32,5$ | ± 49 | | 2x40 | 8 | HYB |
| STK4180MK5 | ± 34 | ± 51 | | 2x45 | 8 | HYB |
| STK4190MK5 | $\pm 35,5$ | ± 53 | | 2x50 | 8 | HYB |



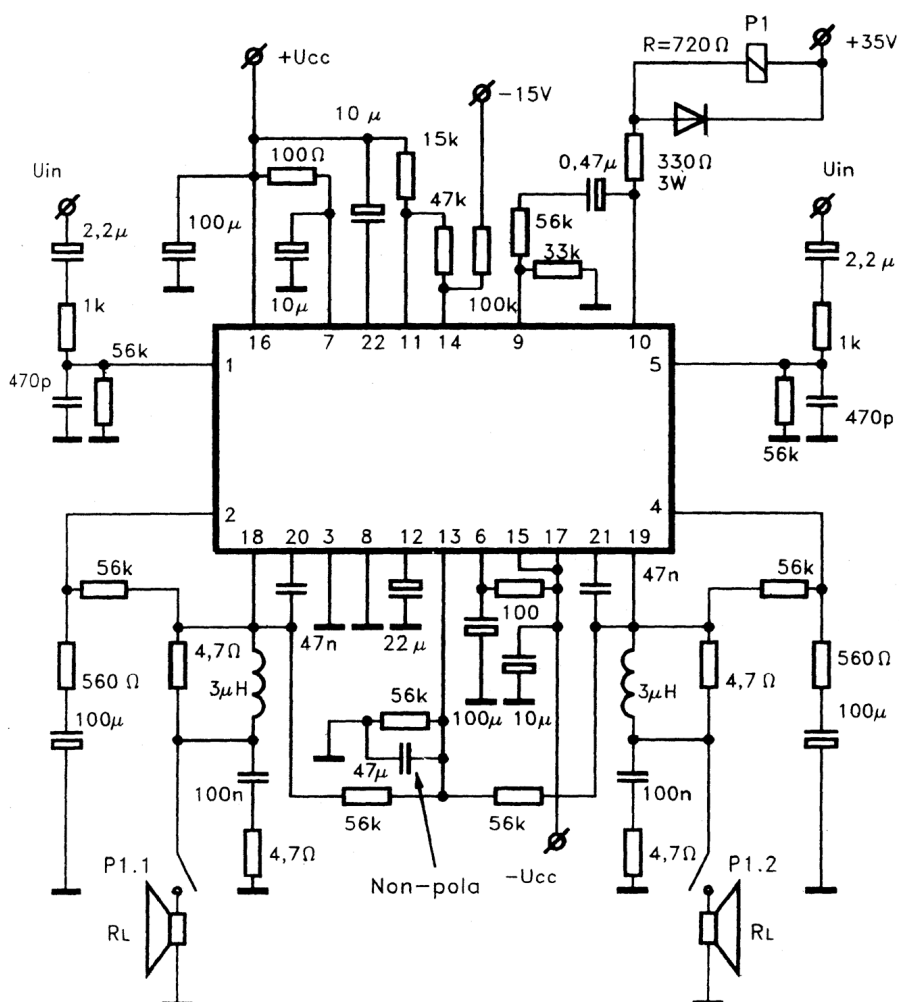
| Tip | UCC min V | UCC nom V | UCC max V | Pout W | RL Ω | Case |
|-----------|--------------|--------------|--------------|-----------|----------------|--------|
| STK4102II | $\pm 13,2$ | $\pm 20,5$ | | 2x6 | 8 | HYB 36 |
| STK4112II | ± 17 | ± 26 | | 2x10 | 8 | HYB 36 |
| STK4122II | ± 20 | $\pm 30,5$ | | 2x15 | 8 | HYB 35 |
| STK4132II | ± 23 | $\pm 34,5$ | | 2x20 | 8 | HYB 36 |
| STK4142II | ± 26 | ± 39 | | 2x25 | 8 | HYB 12 |
| STK4152II | $\pm 27,5$ | ± 42 | | 2x30 | 8 | HYB 12 |
| STK4162II | ± 30 | ± 45 | | 2x35 | 8 | HYB 12 |
| STK4172II | ± 32 | ± 48 | | 2x40 | 8 | HYB 12 |
| STK4182II | $\pm 33,5$ | ± 50 | | 2x45 | 8 | HYB 12 |
| STK4192II | ± 35 | $\pm 52,5$ | | 2x50 | 8 | HYB 12 |



| Tip | UCC min V | UCC nom V | UCC max V | Pout W | RL Ω | Case |
|-----------------|--------------|--------------|--------------|-----------|----------------|--------|
| STK4121V | $\pm 21V5$ | ± 32 | | 2x15 | 8 | HYB 18 |
| STK4131V | $\pm 24V5$ | ± 36 | | 2x20 | 8 | HYB 12 |
| STK4141V | ± 27 | $\pm 40,5$ | | 2x25 | 8 | HYB 12 |

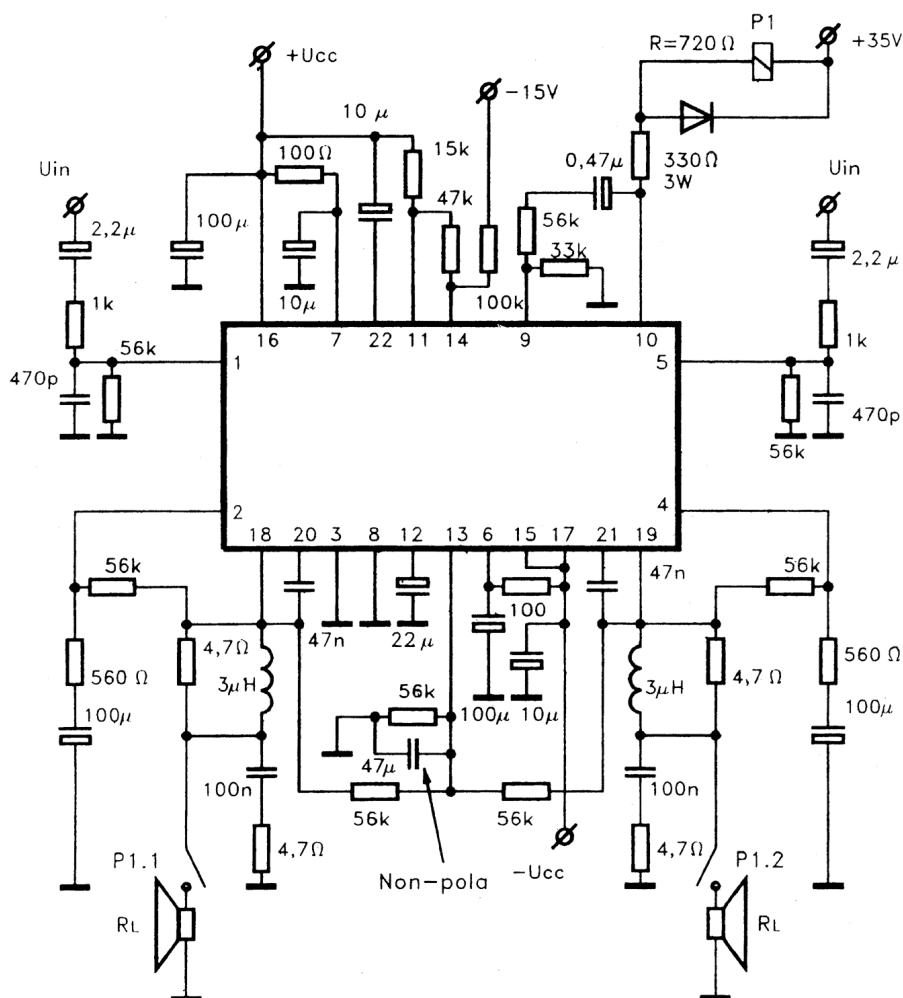


| Tip | UCC min V | UCC nom V | UCC max V | Pout W | RL Ω | Case |
|------------|--------------|--------------|--------------|-----------|----------------|--------|
| STK4144MK2 | ± 27 | ± 40 | | 2x25 | 8 | HYB 18 |
| STK4154MK2 | ± 28 | ± 42 | | 2x30 | 8 | HYB 18 |
| STK4164MK2 | $\pm 30,5$ | ± 45 | | 2x35 | 8 | HYB 18 |
| STK4174MK2 | ± 32 | ± 48 | | 2x40 | 8 | HYB |
| STK4184MK2 | $\pm 33,5$ | ± 50 | | 2x45 | 8 | HYB 18 |
| STK4194MK2 | ± 35 | $\pm 52,5$ | | 2x50 | 8 | HYB |

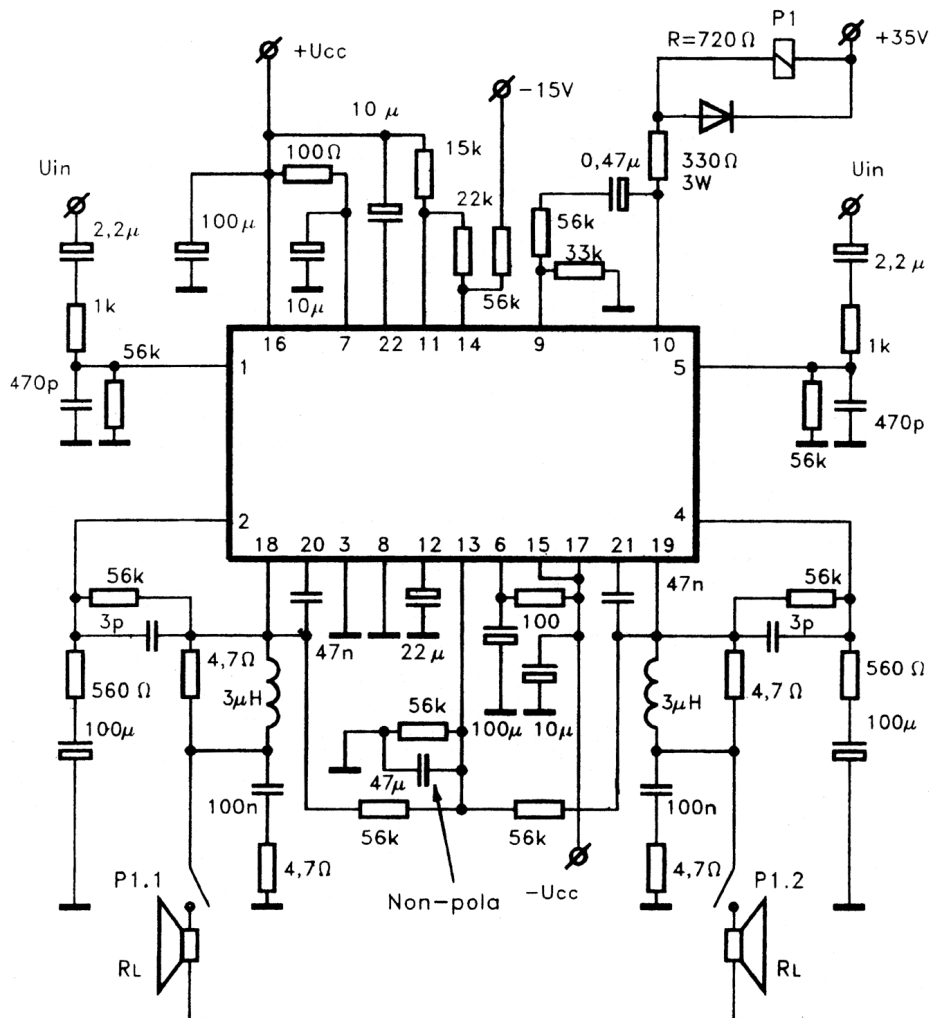


18000 Niš, Jovana Ristića 7, P.O.Box 135, Tel: 018 / 520-455, 522-814, 522-965, fax: 522-660
<http://www.MGelectronic.co.yu> e-mail: office@MGelectronic.co.yu

| Tip | UCC min V | UCC nom V | UCC max V | Pout W | RL Ω | Case |
|------------|--------------|--------------|--------------|-----------|----------------|------|
| STK4144MK5 | ± 27 | $\pm 40,5$ | | 2x25 | 8 | HYB |
| STK4154MK5 | $\pm 28,5$ | ± 42 | | 2x30 | 8 | HYB |
| STK4164MK5 | $\pm 30,5$ | ± 46 | | 2x35 | 8 | HYB |
| STK4174MK5 | $\pm 32,5$ | ± 49 | | 2x40 | 8 | HYB |
| STK4184MK5 | ± 34 | ± 51 | | 2x45 | 8 | HYB |
| STK4194MK5 | $\pm 35,5$ | ± 53 | | 2x50 | 8 | HYB |

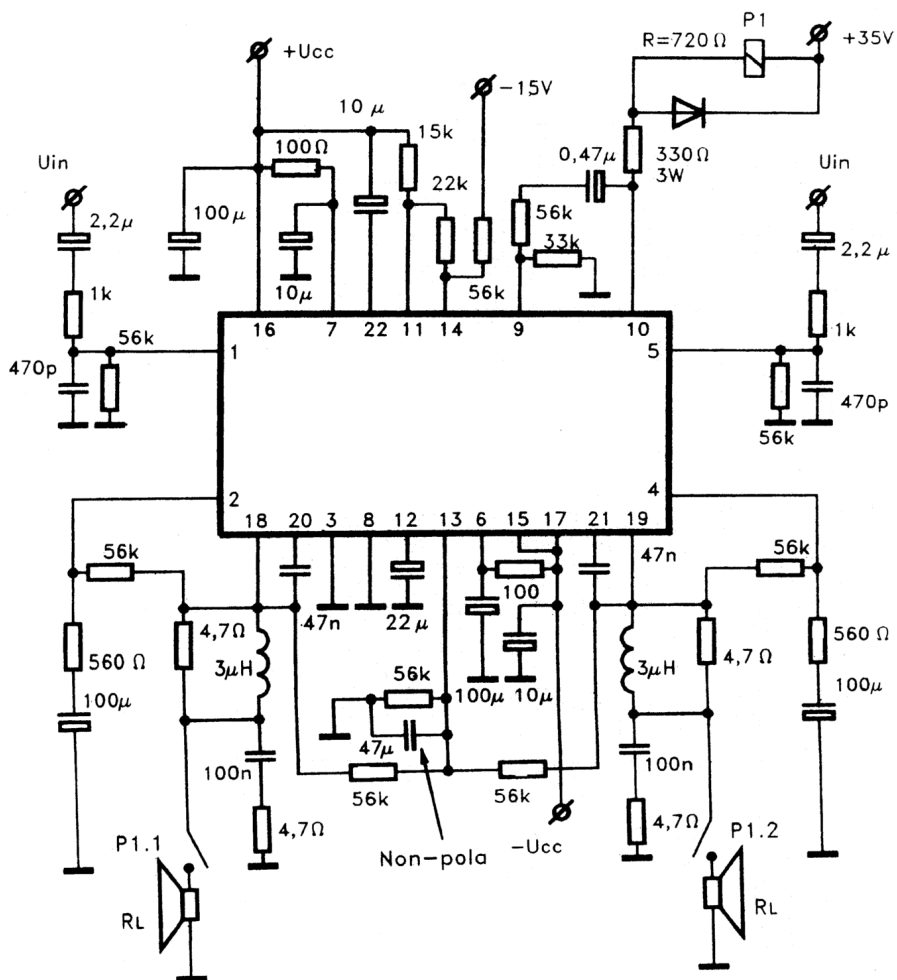


| Tip | UCC nom V | UCC max V | Icco mA | Pout W | RL Ω | Case |
|------------|------------|------------|---------|--------|-------------|------|
| STK4145MK2 | ± 27 | ± 40 | | 2X25 | 8 | HYB |
| STK4155MK2 | ± 28 | ± 42 | | 2X30 | 8 | HYB |
| STK4165MK2 | $\pm 30,5$ | ± 45 | | 2X35 | 8 | HYB |
| STK4175MK2 | ± 32 | ± 48 | | 2X40 | 8 | HYB |
| STK4185MK2 | $\pm 33,5$ | ± 50 | | 2X45 | 8 | HYB |
| STK4195MK2 | ± 35 | $\pm 52,5$ | | 2X50 | 8 | HYB |

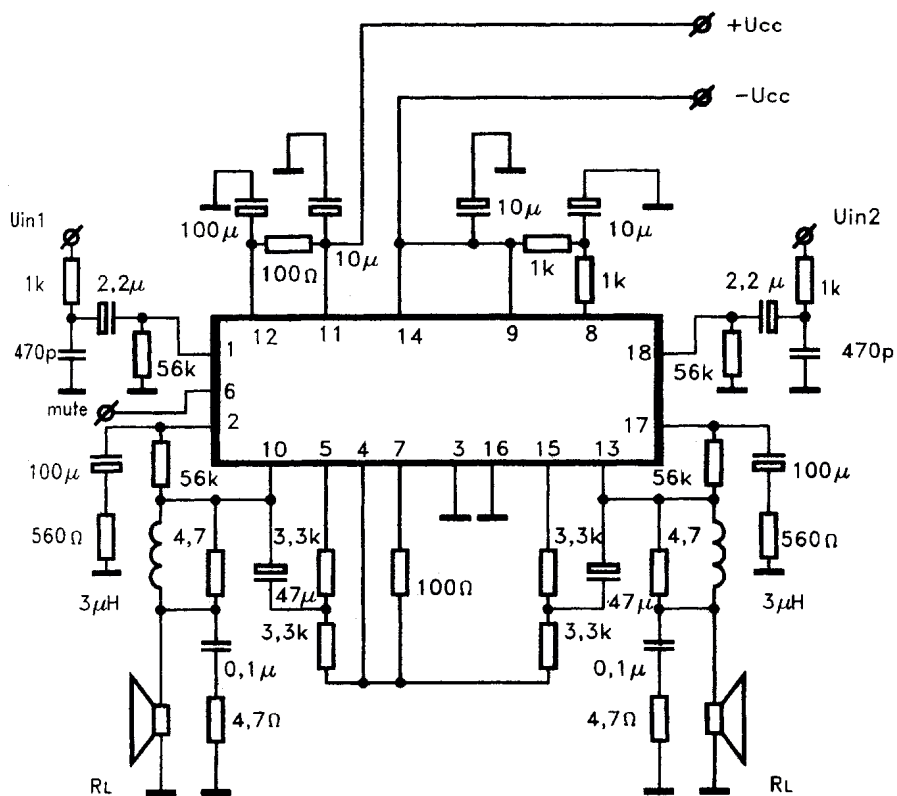


18000 Niš, Jovana Ristića 7, P.O.Box 135, Tel: 018 / 520-455, 522-814, 522-965, fax: 522-660
<http://www.MGelectronic.co.yu> e-mail: office@MGelectronic.co.yu

| Tip | UCC nom V | UCC max V | Icco mA | Pout W | RL Ω | Case |
|------------|------------|------------|---------|--------|-------------|------|
| STK4145MK5 | ± 27 | $\pm 40,5$ | | 2X25 | 8 | HYB |
| STK4155MK5 | $\pm 28,5$ | ± 42 | | 2X30 | 8 | HYB |
| STK4165MK5 | $\pm 30,5$ | ± 46 | | 2X35 | 8 | HYB |
| STK4175MK5 | $\pm 32,5$ | ± 49 | | 2X40 | 8 | HYB |
| STK4185MK5 | ± 34 | ± 51 | | 2X45 | 8 | HYB |
| STK4195MK5 | $\pm 35,5$ | ± 53 | | 2X50 | 8 | HYB |

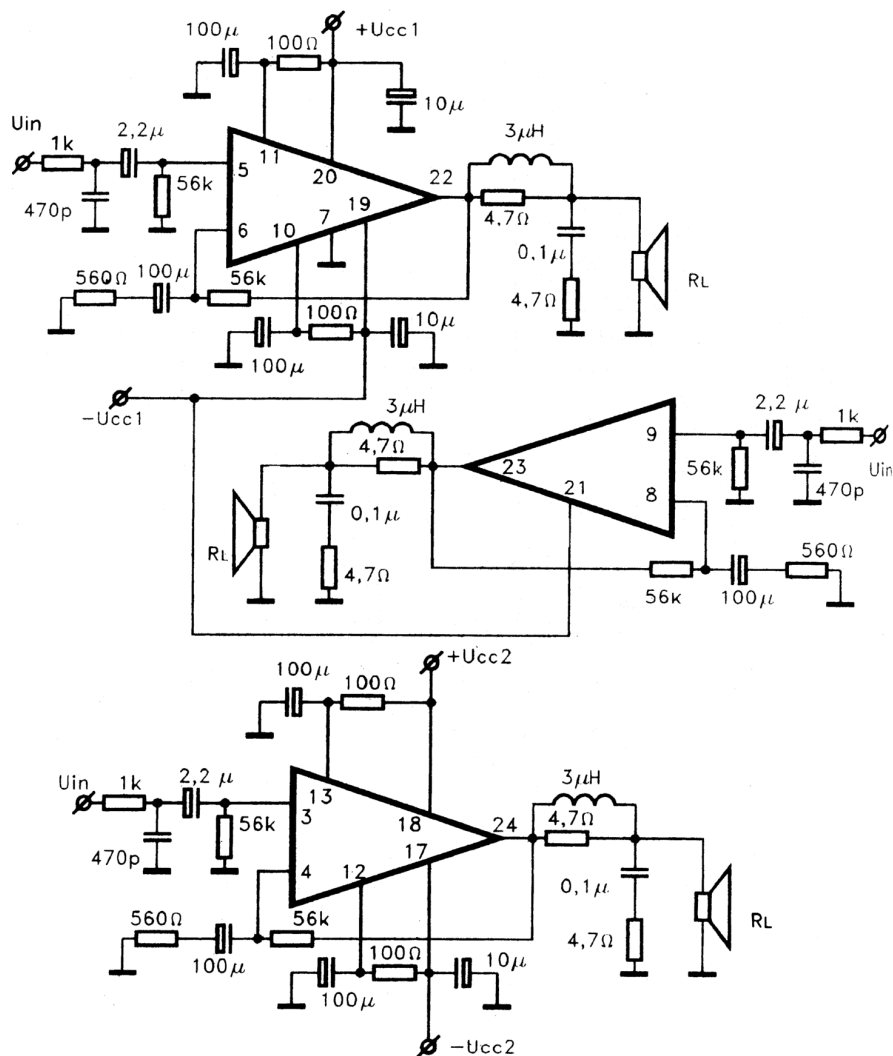


| Tip | UCC min V | UCC nom V | UCC max V | Pout W | RL Ω | Case |
|----------|--------------|--------------|--------------|-----------|----------------|--------|
| STK4151V | ± 28 | ± 42 | | 2x30 | 8 | HYB 12 |
| STK4161V | $\pm 30,5$ | ± 46 | | 2x35 | 8 | HYB 12 |
| STK4171V | $\pm 32,5$ | ± 49 | | 2x40 | 8 | HYB 12 |
| STK4181V | ± 34 | ± 51 | | 2x45 | 8 | HYB 12 |
| STK4191V | $\pm 35,5$ | ± 53 | | 2x50 | 8 | HYB 12 |

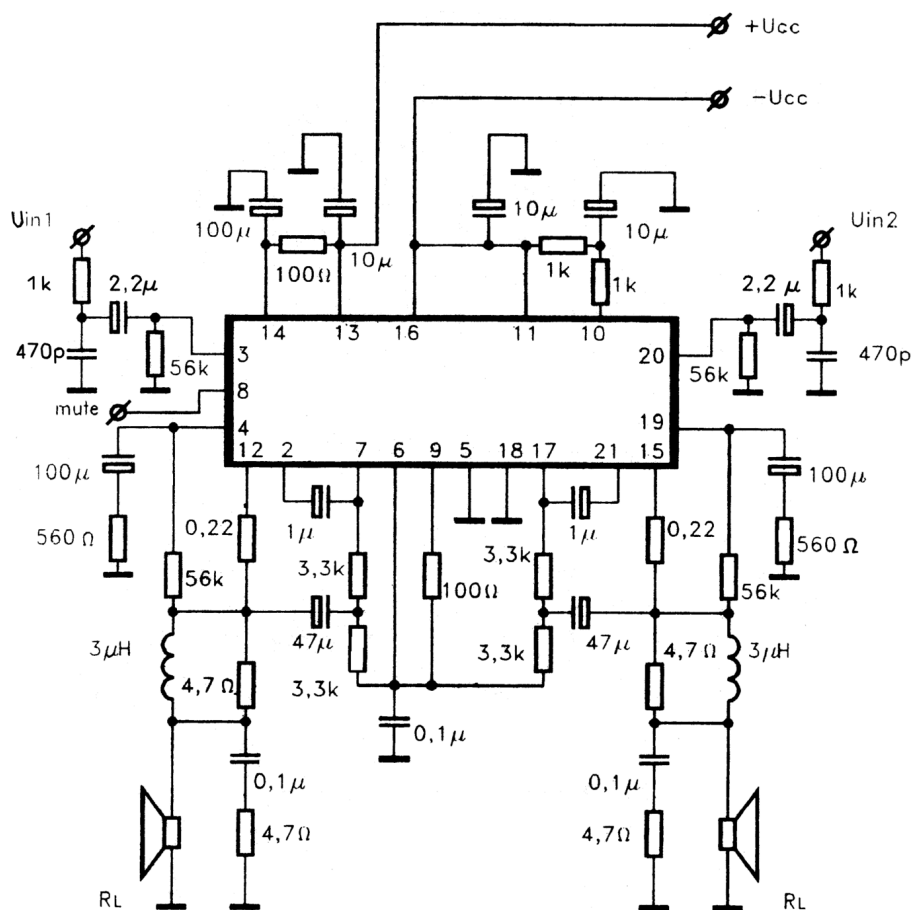


18000 Niš, Jovana Ristića 7, P.O.Box 135, Tel: 018 / 520-455, 522-814, 522-965, fax: 522-660
<http://www.MGelectronic.co.yu> e-mail: office@MGelectronic.co.yu

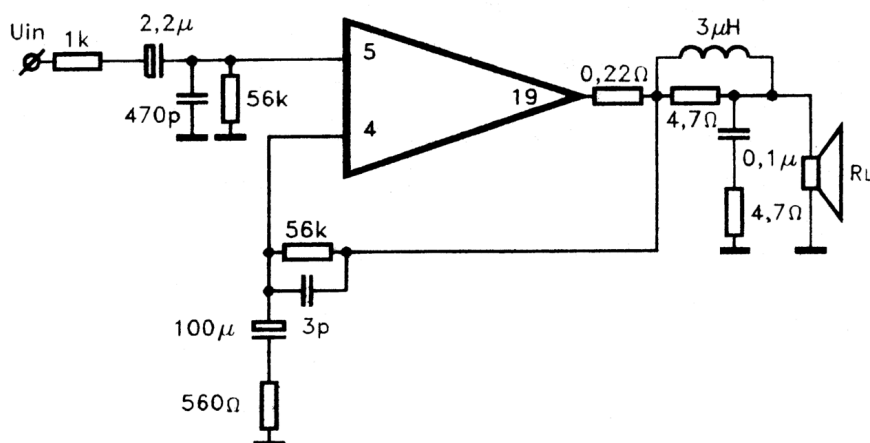
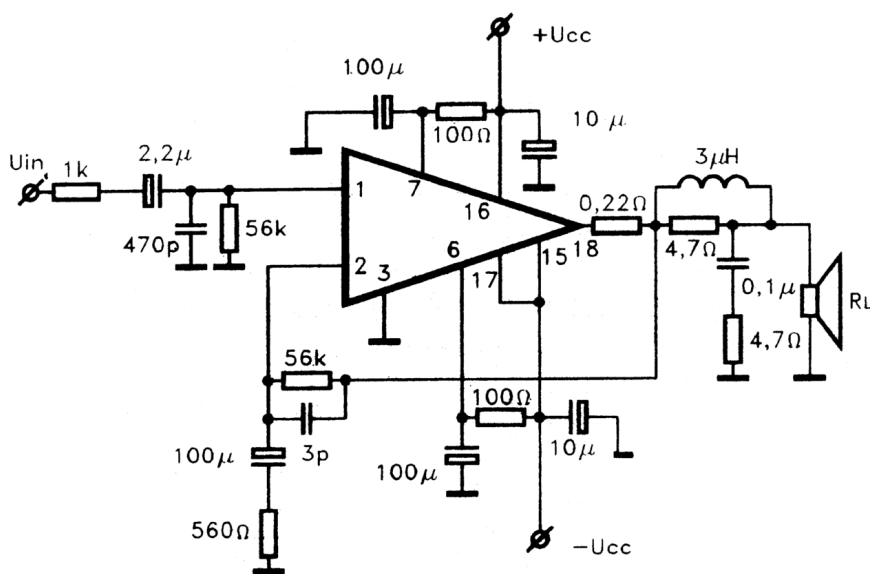
| Tip | UCC 1 nom V | UCC 1 max V | UCC 2 nom V | UCC 2 max V | Pout W | RL Ω |
|------------|----------------|----------------|----------------|----------------|-----------|----------------|
| STK4159MK2 | ± 21 | $\pm 30,5$ | $\pm 27,5$ | ± 42 | 2X15+30 | 8 |
| STK4169MK2 | ± 21 | $\pm 34,5$ | ± 30 | ± 45 | 2X15+35 | 8 |
| STK4179MK2 | ± 23 | $\pm 34,5$ | ± 32 | ± 48 | 2X20+45 | 8 |
| STK4189MK2 | ± 23 | $\pm 34,5$ | $\pm 33,5$ | ± 50 | 2X20+45 | 8 |
| STK4199MK2 | ± 27 | ± 40 | ± 35 | $\pm 52,5$ | 2X25+50 | 8 |



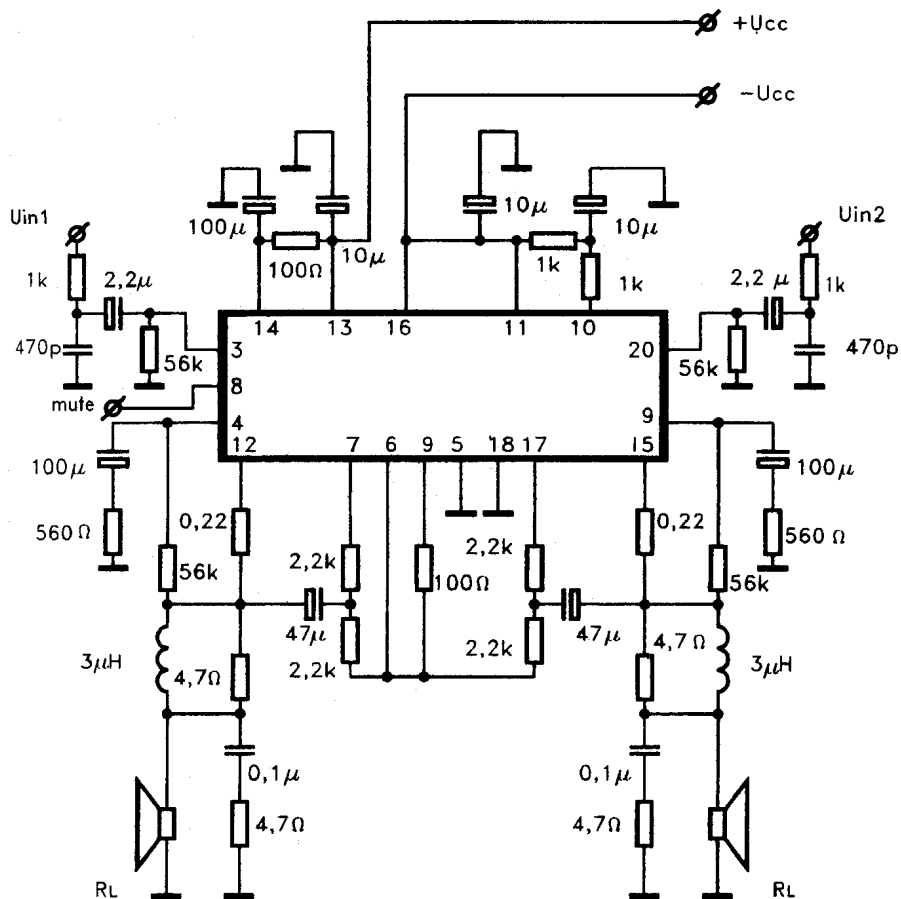
| Tip | UCC nom V | UCC max V | Icco mA | Pout W | RL Ω | Case |
|----------|------------|------------|---------|--------|-------------|------|
| STK4176X | ± 26 | $\pm 49,5$ | | 2X40 | 4 | HYB |
| STK4186X | $\pm 27,5$ | $\pm 51,5$ | | 2X45 | 4 | HYB |
| STK4196X | ± 29 | $\pm 53,5$ | | 2X50 | 4 | HYB |
| STK4206X | ± 32 | $\pm 57,5$ | | 2X60 | 4 | HYB |
| STK4216X | ± 34 | $\pm 62,5$ | | 2X70 | 4 | HYB |



| Tip | UCC nom V | UCC max V | Icco mA | Pout W | RL Ω | Case |
|------------|-----------|-----------|---------|--------|-------------|------|
| STK4200MK5 | ± 39 | ± 57 | | 2X60 | 4 | HYB |
| STK4210MK5 | ± 43 | ± 62 | | 2X70 | 4 | HYB |
| STK4220MK5 | ± 45 | ± 65 | | 2X80 | 4 | HYB |
| STK4230MK5 | ± 51 | ± 75 | | 2X100 | 4 | HYB |

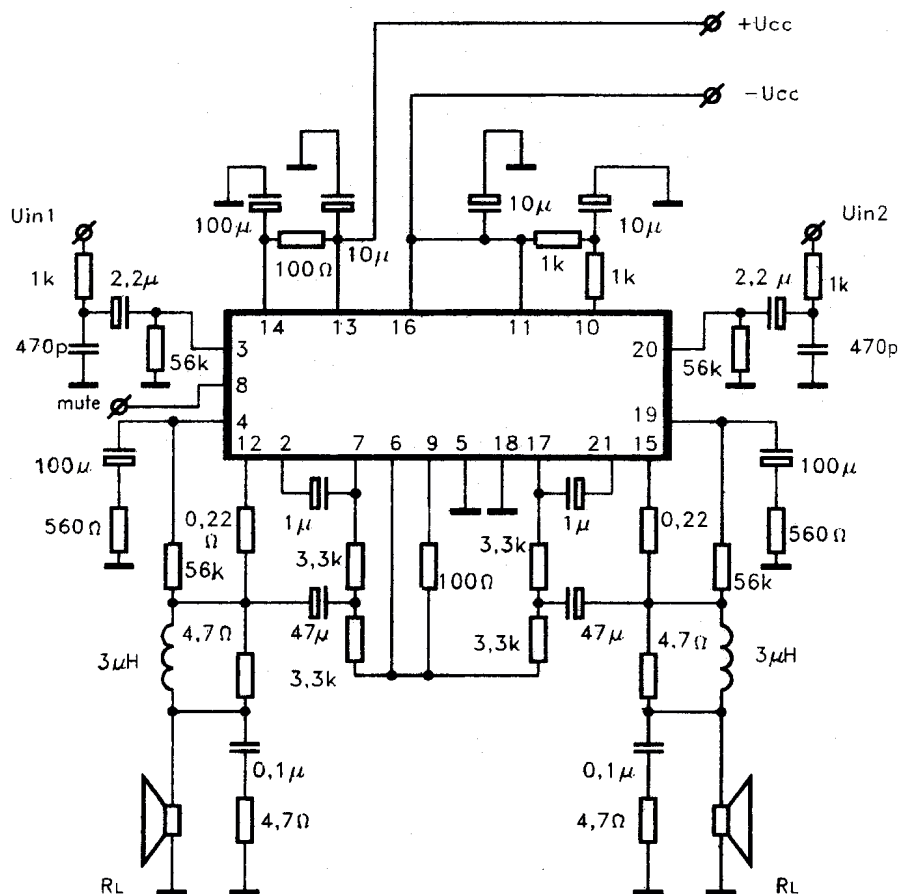


| Tip | UCC min V | UCC nom V | UCC max V | Pout W | RL Ω | Case |
|-----------|--------------|--------------|--------------|-----------|----------------|--------|
| STK4201II | ± 38 | ± 55 | | 2x60 | 8 | HYB 18 |
| STK4211II | ± 42 | ± 60 | | 2x70 | 8 | HYB 18 |
| STK4221II | ± 45 | ± 65 | | 2x80 | 8 | HYB 18 |
| STK4231II | ± 51 | ± 75 | | 2x100 | 8 | HYB 18 |
| STK4241II | ± 55 | ± 87 | | 2x120 | 8 | HYB 18 |

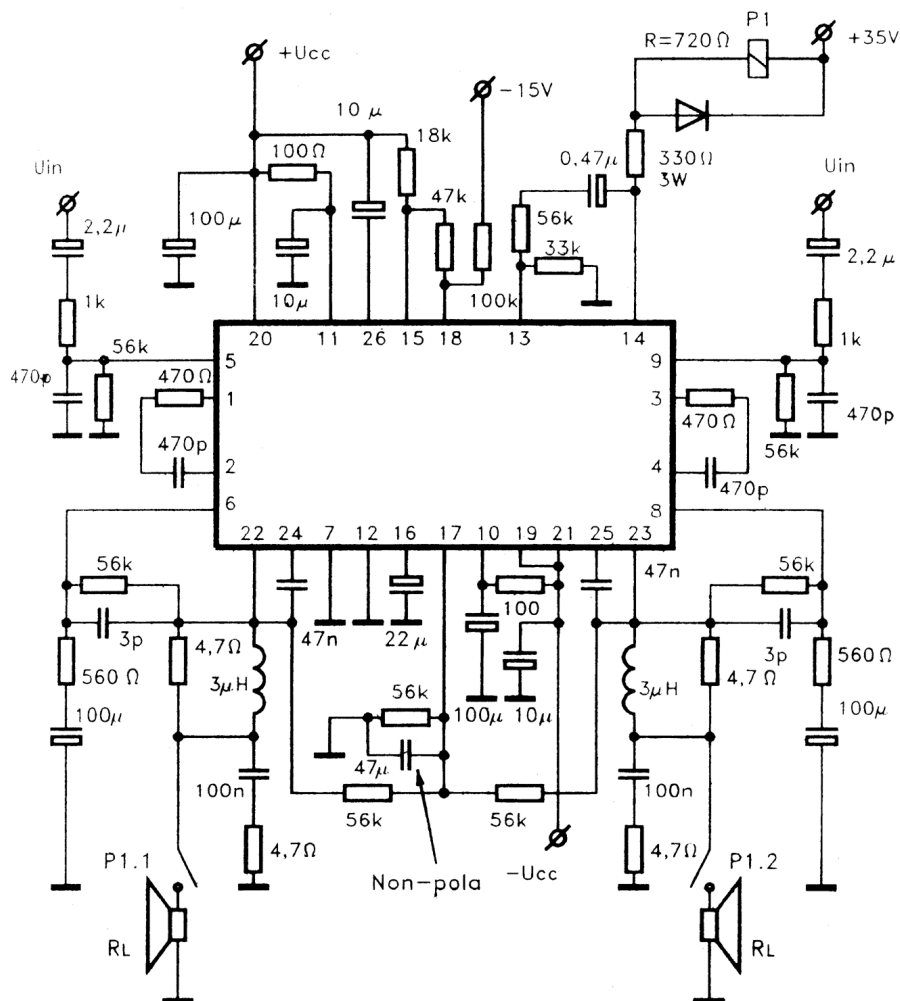


18000 Niš, Jovana Ristića 7, P.O.Box 135, Tel: 018 / 520-455, 522-814, 522-965, fax: 522-660
<http://www.MGelectronic.co.yu> e-mail: office@MGelectronic.co.yu

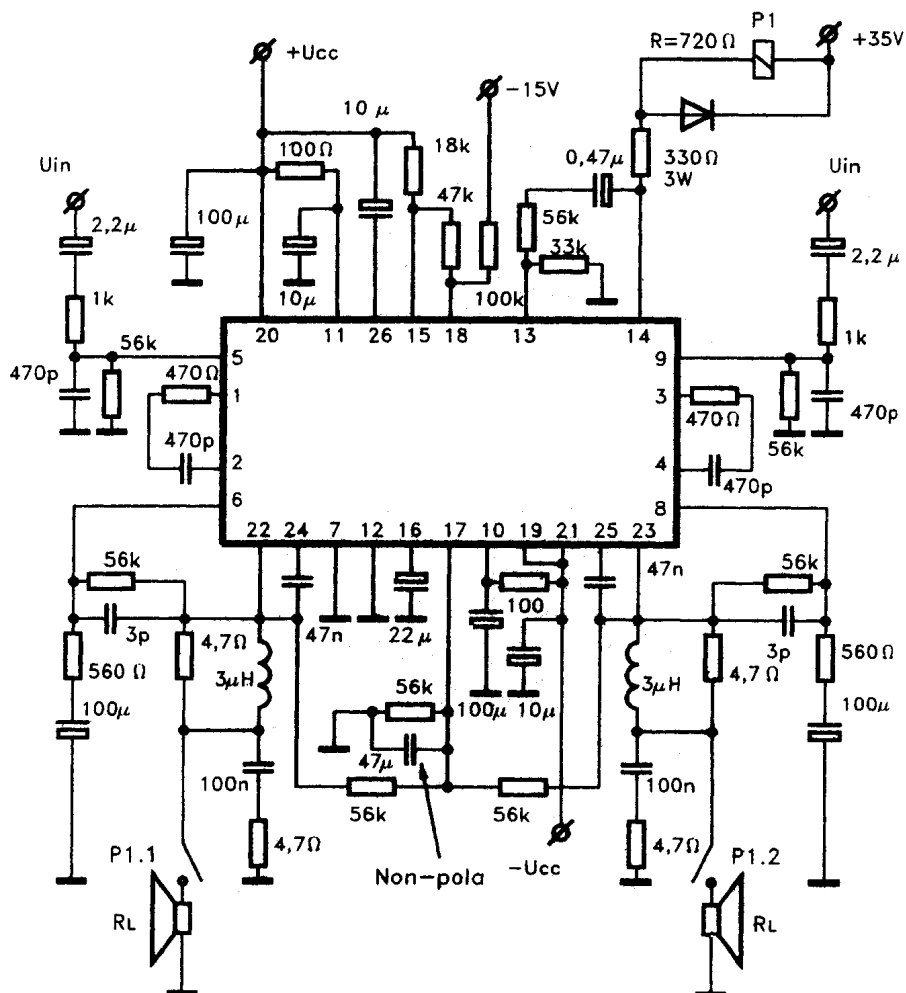
| Tip | UCC min V | UCC nom V | UCC max V | Pout W | RL Ω | Case |
|----------|--------------|--------------|--------------|-----------|----------------|------|
| STK4201X | $\pm 39,5$ | $\pm 57,5$ | | 2x60 | 8 | HYB |
| STK4211X | $\pm 43,5$ | $\pm 62,5$ | | 2x70 | 8 | HYB |



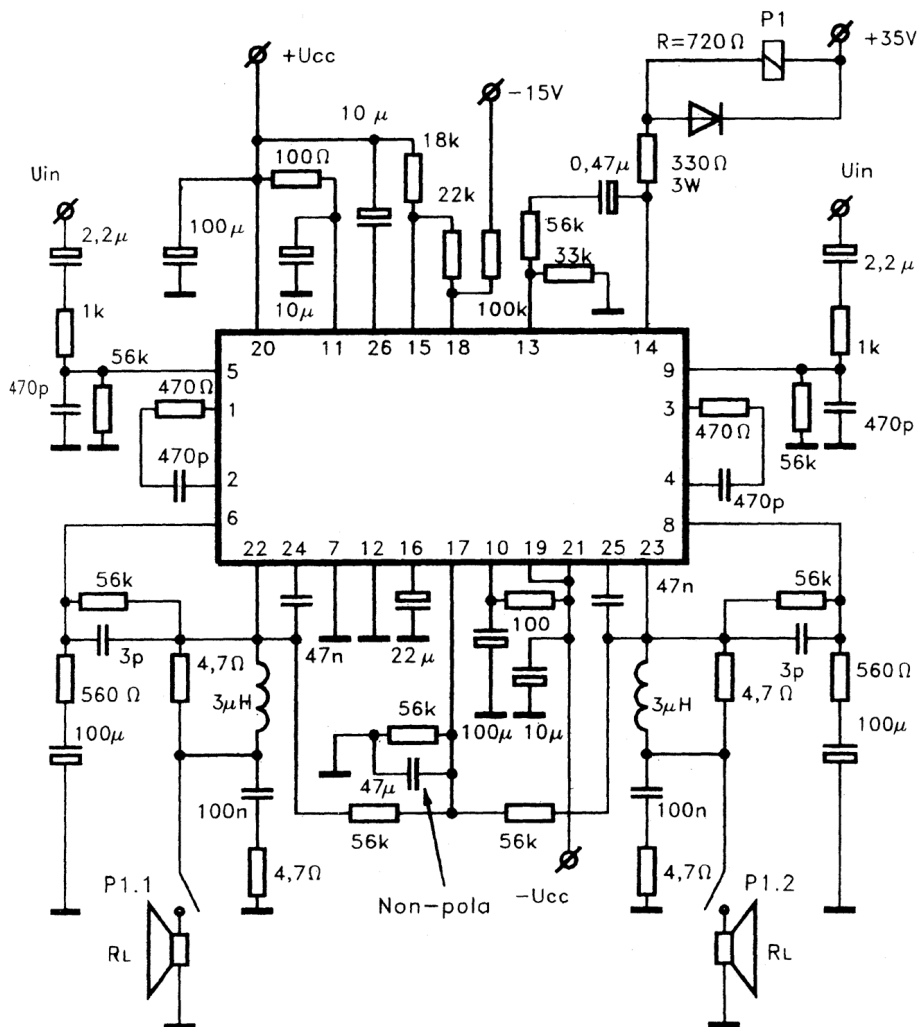
| Tip | UCC min V | UCC nom V | UCC max V | Pout W | RL Ω | Case |
|-------------------|--------------|--------------|--------------|-----------|---------|--------|
| STK4204MK2 | ±38,5 | ±55 | | 2x60 | 8 | HYB 23 |
| STK4214MK2 | ±42 | ±60 | | 2x70 | 8 | HYB 23 |
| STK4224MK2 | ±45 | ±65 | | 2x80 | 8 | HYB 23 |
| STK4234MK2 | ±51 | ±75 | | 2x100 | 8 | HYB 23 |



| Tip | UCC min V | UCC nom V | UCC max V | Pout W | RL Ω | Case |
|------------|--------------|--------------|--------------|-----------|----------------|------|
| STK4204MK5 | ± 39 | ± 57 | | 2x60 | 8 | HYB |
| STK4214MK5 | ± 42 | ± 62 | | 2x70 | 8 | HYB |
| STK4224MK5 | ± 45 | ± 65 | | 2x80 | 8 | HYB |
| STK4234MK5 | ± 51 | ± 75 | | 2x100 | 8 | HYB |

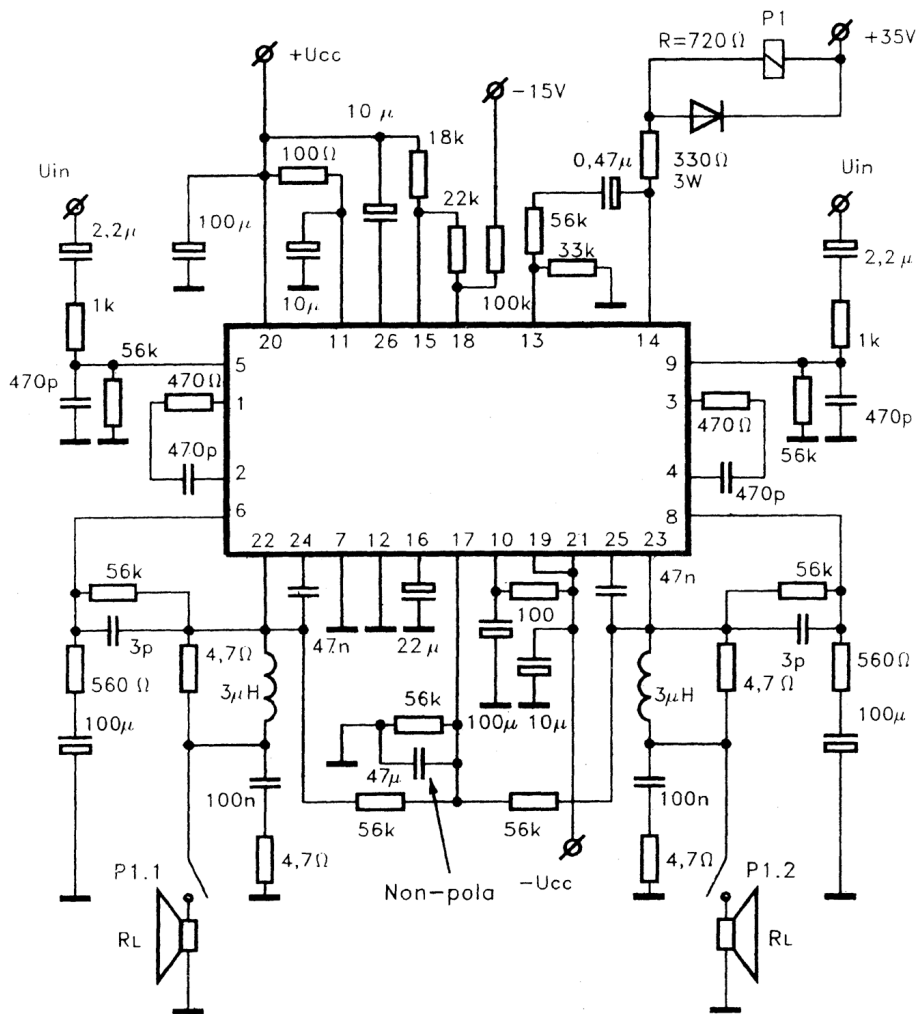


| Tip | UCC min V | UCC nom V | UCC max V | Pout W | RL Ω | Case |
|------------|--------------|--------------|--------------|-----------|----------------|------|
| STK4205MK2 | $\pm 38,5$ | ± 55 | | 2x60 | 8 | HYB |
| STK4215MK2 | ± 42 | ± 60 | | 2x70 | 8 | HYB |
| STK4225MK2 | ± 45 | ± 65 | | 2x80 | 8 | HYB |
| STK4235MK2 | ± 51 | ± 75 | | 2x100 | 8 | HYB |

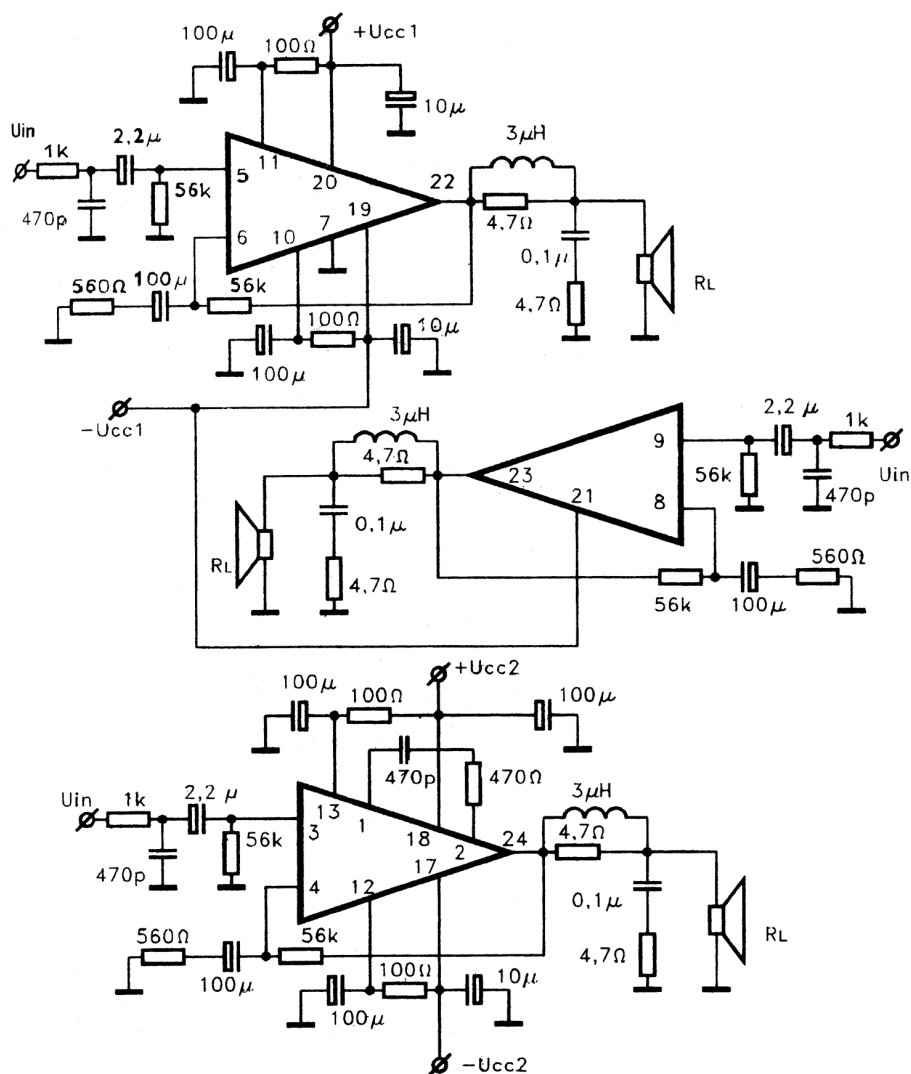


18000 Niš, Jovana Ristića 7, P.O.Box 135, Tel: 018 / 520-455, 522-814, 522-965, fax: 522-660
<http://www.MGelectronic.co.yu> e-mail: office@MGelectronic.co.yu

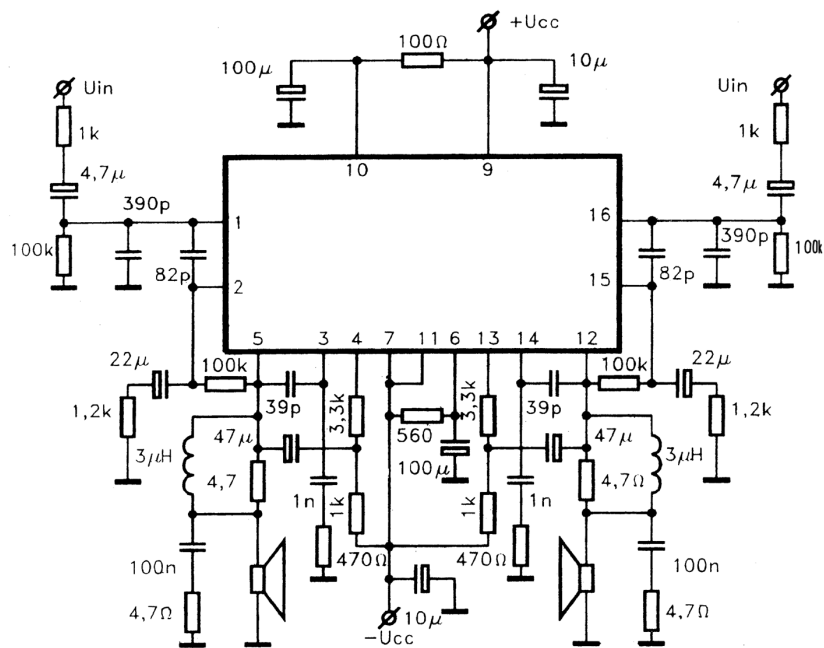
| Tip | UCC min V | UCC nom V | UCC max V | Pout W | RL Ω | Case |
|------------|--------------|--------------|--------------|-----------|----------------|------|
| STK4205MK5 | ± 39 | ± 57 | | 2x60 | 8 | HYB |
| STK4215MK5 | ± 43 | ± 62 | | 2x70 | 8 | HYB |
| STK4225MK5 | ± 45 | ± 65 | | 2x80 | 8 | HYB |
| STK4235MK5 | ± 51 | ± 75 | | 2x100 | 8 | HYB |



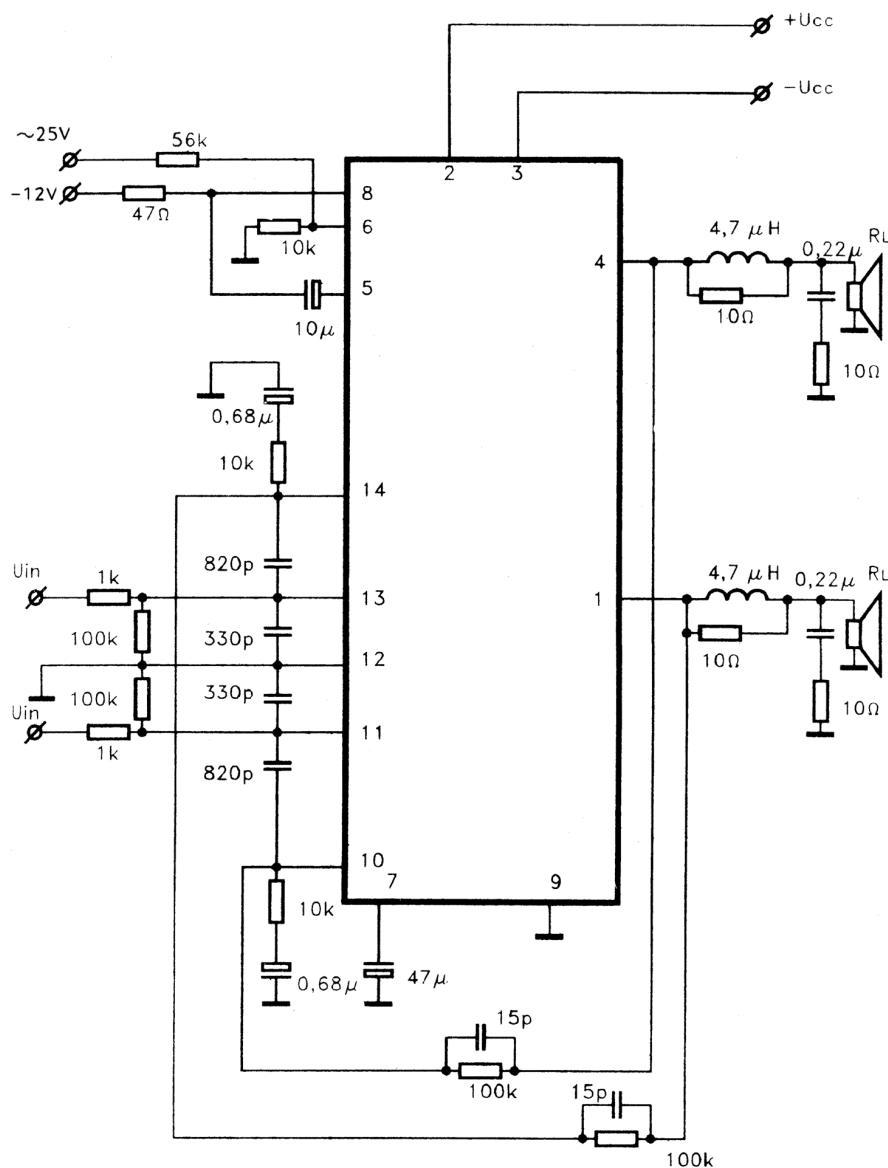
| Tip | UCC 1 nom V | UCC 1 max V | UCC 2 nom V | UCC 2 max V | Pout W | RL Ω |
|------------|----------------|----------------|----------------|----------------|-----------|----------------|
| STK4209MK2 | ± 28 | ± 42 | ± 38 | ± 55 | 2X30+60 | 8 |
| STK4219MK2 | $\pm 30,5$ | ± 45 | ± 42 | ± 60 | 2X35+70 | 8 |
| STK4229MK2 | ± 32 | ± 48 | ± 45 | ± 65 | 2X40+80 | 8 |
| STK4239MK2 | ± 35 | ± 52 | ± 51 | ± 70 | 2X50+100 | 8 |



| Tip | UCC min V | UCC nom V | UCC max V | Pout W | RL Ω | Case |
|---------|--------------|--------------|--------------|-----------|----------------|--------|
| STK4773 | ± 19 | ± 26 | | 2x10 | 8 | HYB 15 |
| STK4793 | ± 22 | ± 31 | | 2x15 | 8 | HYB 15 |
| STK4803 | ± 24 | ± 35 | | 2x20 | 8 | HYB 15 |
| STK4813 | ± 24 | ± 35 | | 2x20 | 8 | HYB 15 |
| STK4833 | ± 25 | ± 39 | | 2x25 | 8 | HYB 15 |
| STK4843 | ± 27 | ± 43 | | 2x30 | 8 | HYB 15 |
| STK4853 | $\pm 27,5$ | ± 43 | | 2x30 | 8 | HYB 15 |
| STK4863 | ± 30 | ± 47 | | 2x35 | 8 | HYB 15 |
| STK4873 | ± 30 | ± 47 | | 2x35 | 8 | HYB 15 |
| STK4893 | ± 32 | ± 46 | | 2x40 | 8 | HYB 15 |
| STK4913 | ± 35 | ± 50 | | 2x50 | 8 | HYB 15 |

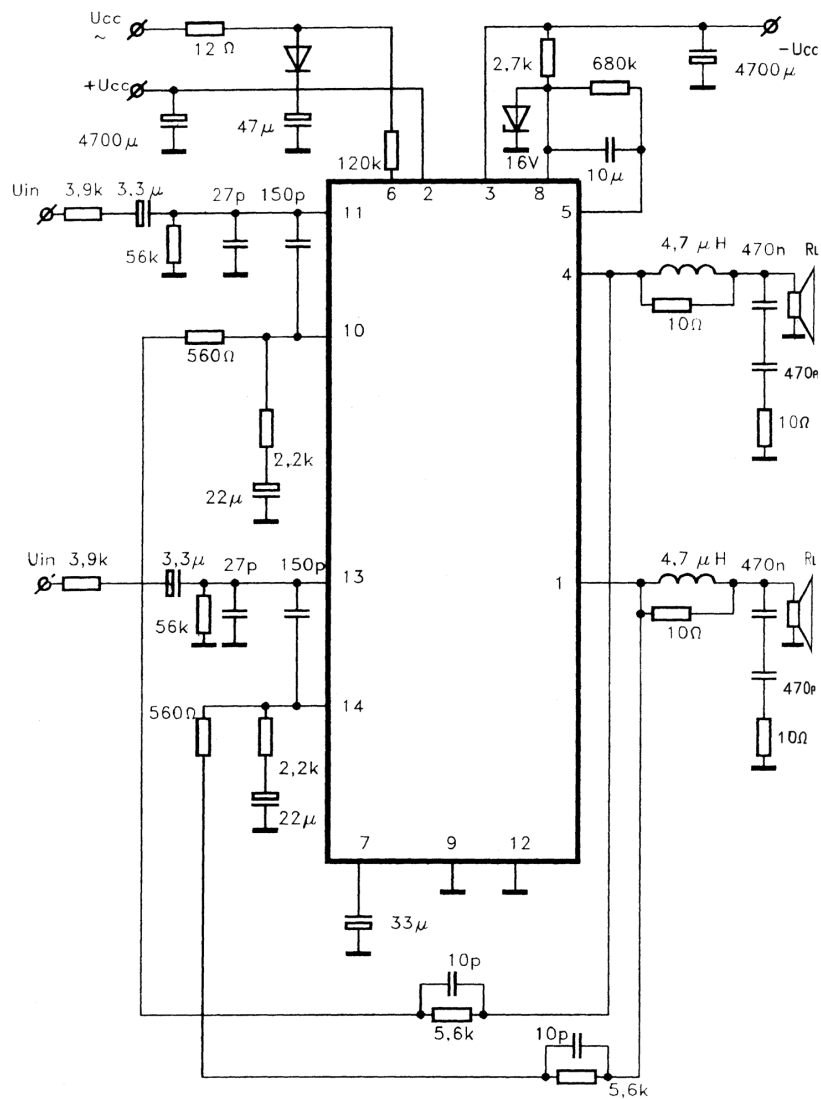


| Tip | UCC min V | UCC nom V | UCC max V | Pout W | RL Ω | Case |
|-----------------|--------------|--------------|--------------|-----------|----------------|--------|
| SVI3101C | | ± 33 | | | 6 | HYB 67 |

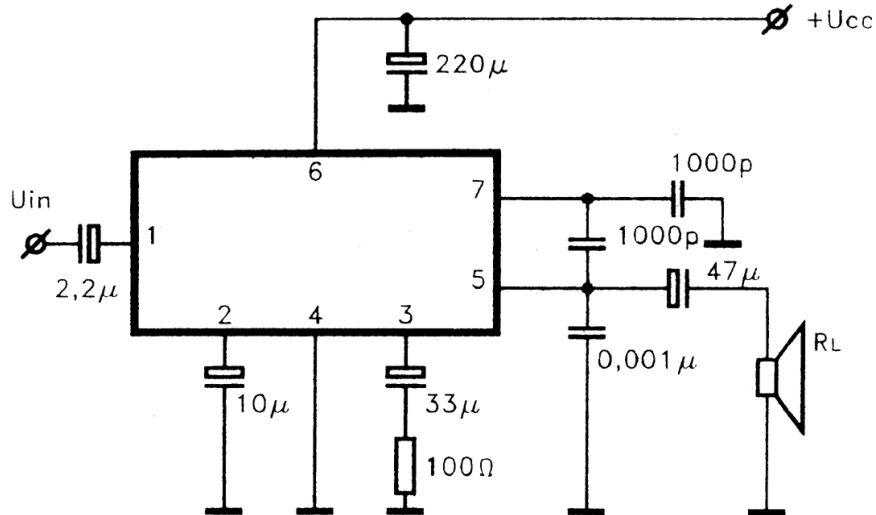


18000 Niš, Jovana Ristića 7, P.O.Box 135, Tel: 018 / 520-455, 522-814, 522-965, fax: 522-660
<http://www.MGelectronic.co.yu> e-mail: office@MGelectronic.co.yu

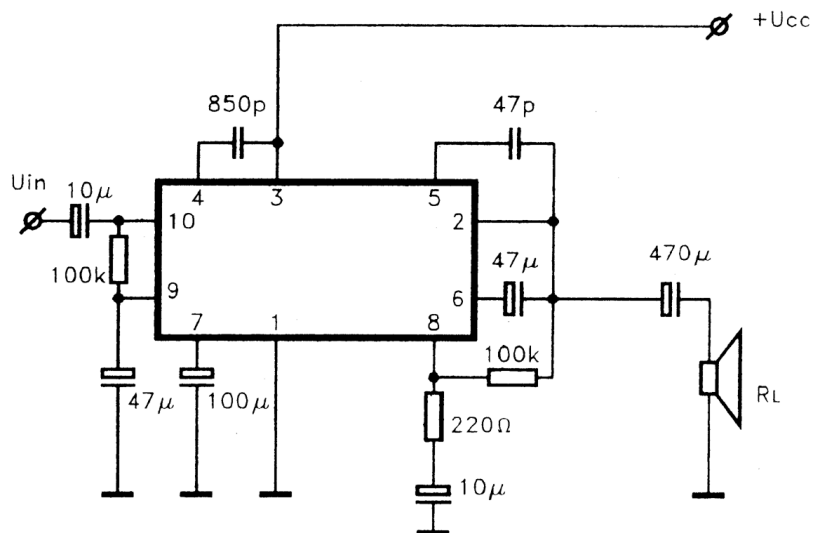
| Tip | UCC min V | UCC nom V | UCC max V | Pout W | RL Ω | Case |
|-----------------|--------------|--------------|--------------|-----------|----------------|--------|
| SVI3102C | | | | | | HYB 67 |



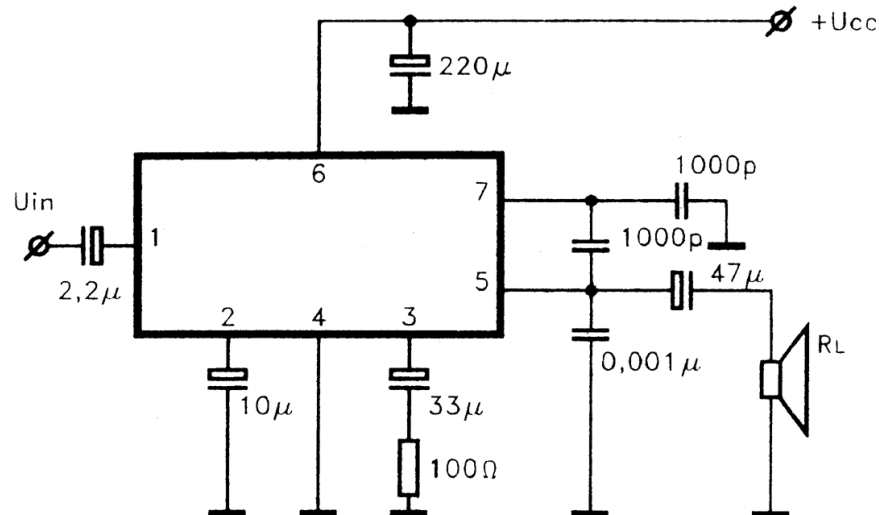
| Tip | UCC min V | UCC nom V | UCC max V | Pout W | RL Ω | Case |
|---------|--------------|--------------|--------------|-----------|----------------|-------|
| TA7066P | 8 | 16 | 25 | 0,15 | 150 | 7-SIP |



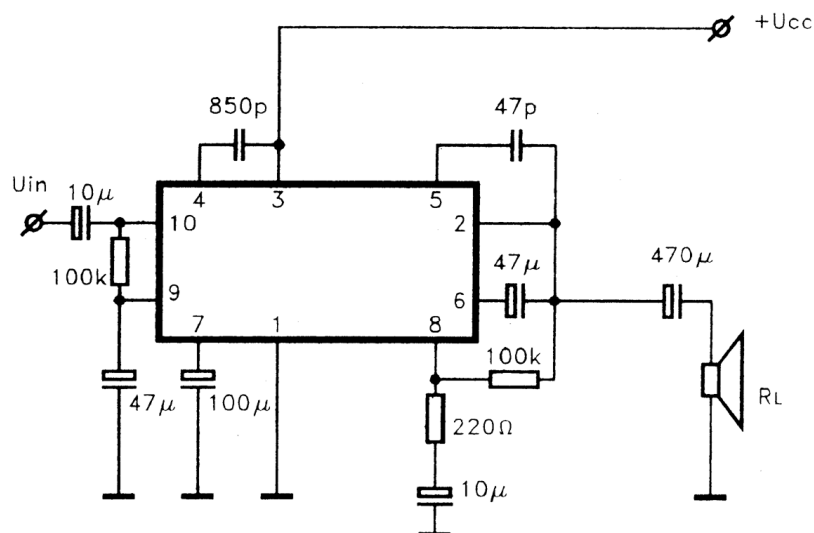
| Tip | UCC min V | UCC nom V | UCC max V | Pout W | RL Ω | Case |
|---------|--------------|--------------|--------------|-----------|----------------|---------|
| TA7092P | 9 | 13,2 | | 3,5 | 4 | 8-QIP+b |



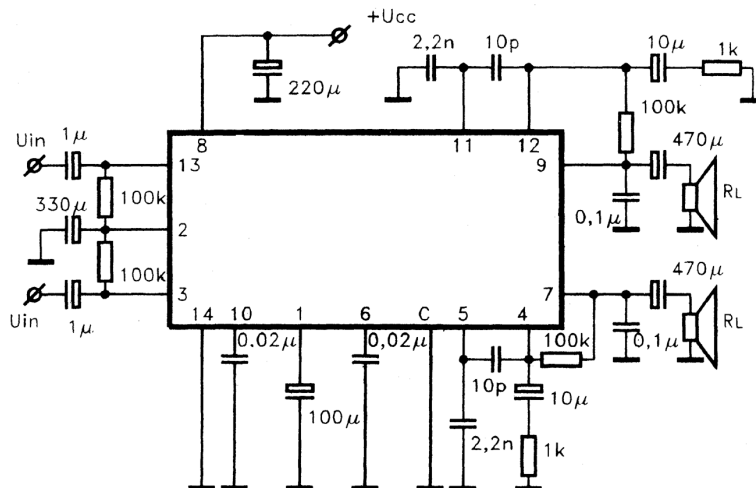
| Tip | UCC min V | UCC nom V | UCC max V | Pout W | RL Ω | Case |
|---------|--------------|--------------|--------------|-----------|----------------|-------|
| TA7140P | 5 | 16 | 25 | 0,15 | 150 | 7-SIP |



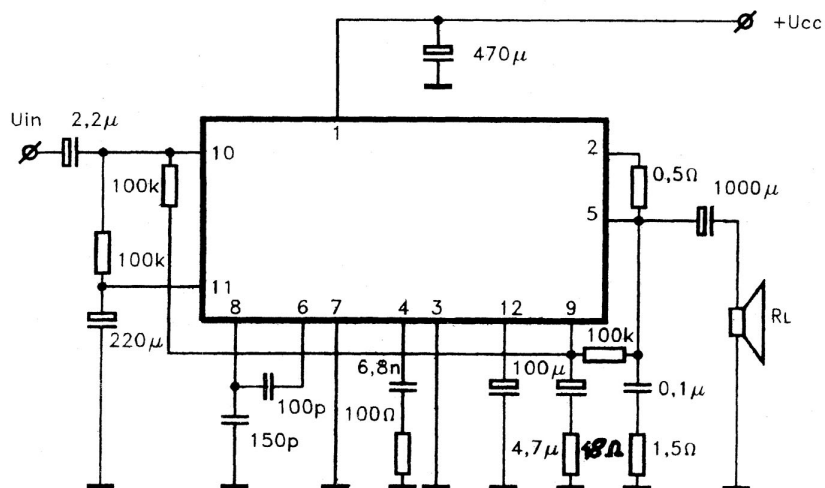
| Tip | UCC min V | UCC nom V | UCC max V | Pout W | RL Ω | Case |
|---------|--------------|--------------|--------------|-----------|----------------|--------|
| TA7200P | 9 | 16 | 20 | 3,3 | 8 | 10-SIL |



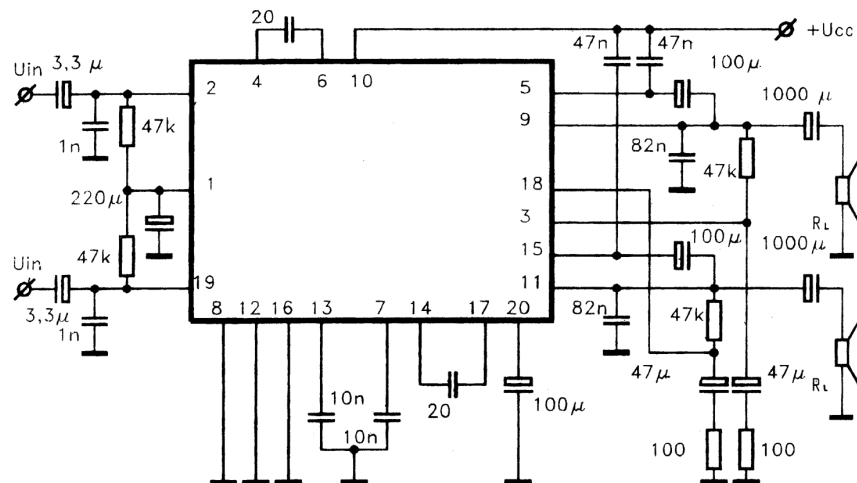
| Tip | UCC min V | UCC nom V | UCC max V | Pout W | RL Ω | Case |
|---------|--------------|--------------|--------------|-----------|----------------|----------|
| TA7203P | 8 | 14 | 20 | 2x2 | 8 | 14-DIP+a |



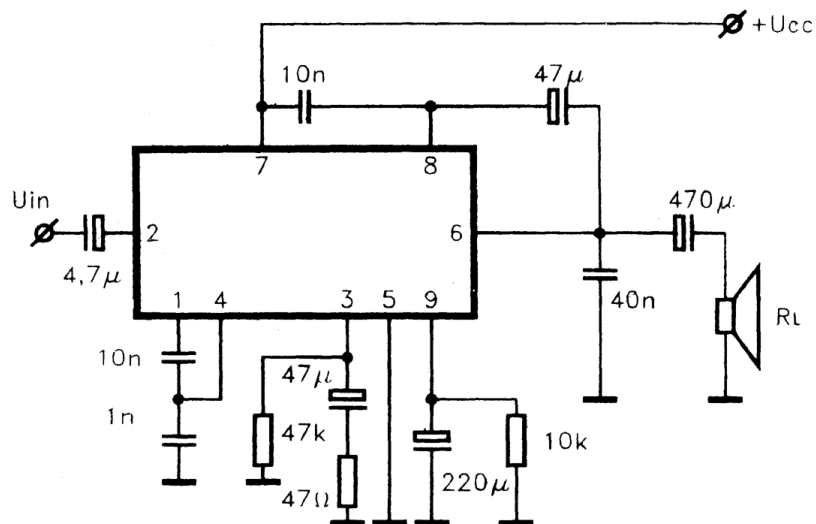
| Tip | UCC min V | UCC nom V | UCC max V | Pout W | RL Ω | Case |
|---------|--------------|--------------|--------------|-----------|----------------|--------|
| TA7210P | 20 | 34 | 40 | 11 | 8 | 12-SIL |
| TA7268P | 20 | 34 | 40 | 11 | 8 | 12-SQL |



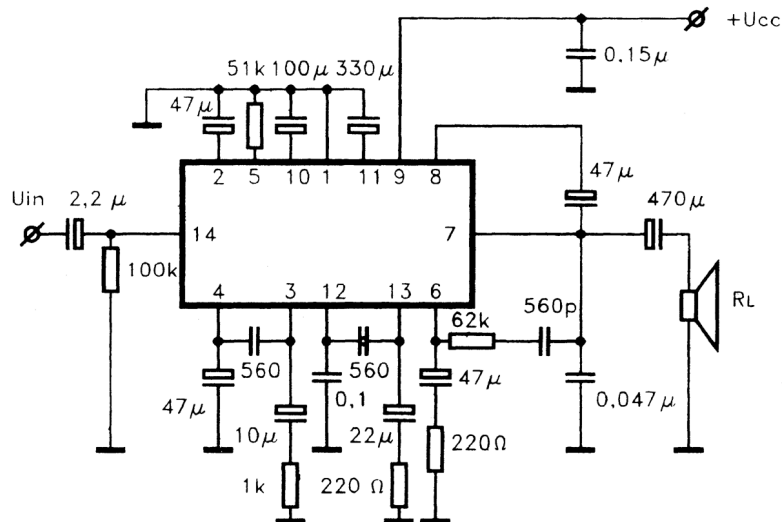
| Tip | UCC min V | UCC nom V | UCC max V | Pout W | RL Ω | Case |
|---------|--------------|--------------|--------------|-----------|----------------|----------|
| TA7214P | 9 | 13 | 18 | 2x4,8 | 4 | 20-DIP+c |



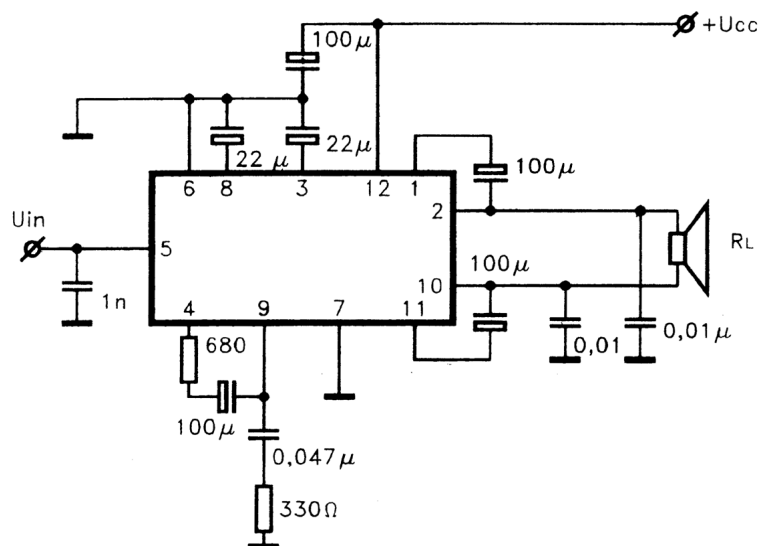
| Tip | UCC min V | UCC nom V | UCC max V | Pout W | RL Ω | Case |
|------------|--------------|--------------|--------------|-----------|----------------|-------|
| TA7313A(P) | 4,5 | 6 | 9 | 0,5 | 8 | 9-SIP |



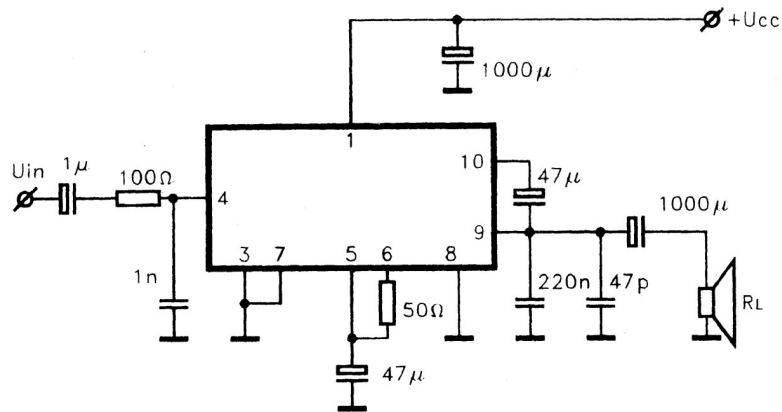
| Tip | UCC min V | UCC nom V | UCC max V | Pout W | RL Ω | Case |
|---------|-----------|-----------|-----------|--------|-------------|----------|
| TA7223P | 3,5 | 6 | 12 | 1 | 8 | 14-DIP+d |



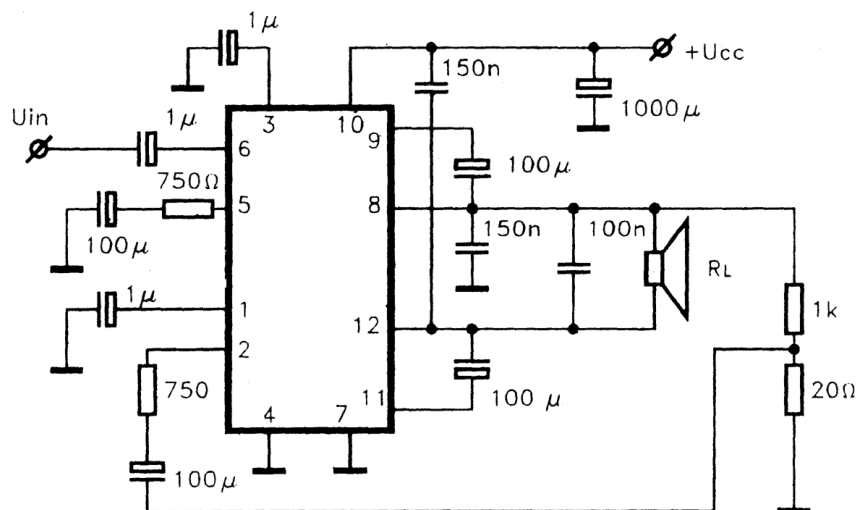
| Tip | UCC min V | UCC nom V | UCC max V | Pout W | RL Ω | Case |
|-------------|-----------|-----------|-----------|--------|-------------|---------|
| TA7237P(AP) | 8 | 13 | 25 | 17 | 4 | 12-SILP |



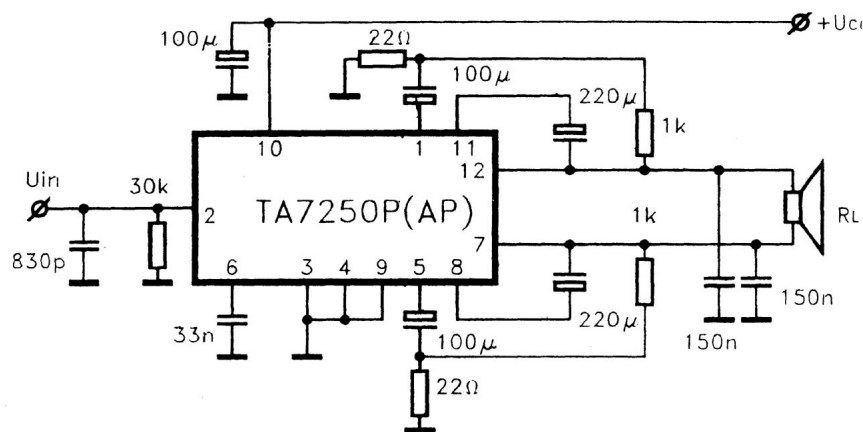
| Tip | UCC min V | UCC nom V | UCC max V | Pout W | RL Ω | Case |
|---------|--------------|--------------|--------------|-----------|----------------|--------|
| TA7238P | 12 | 18 | 32 | 8,5 | 4 | 10-SIL |



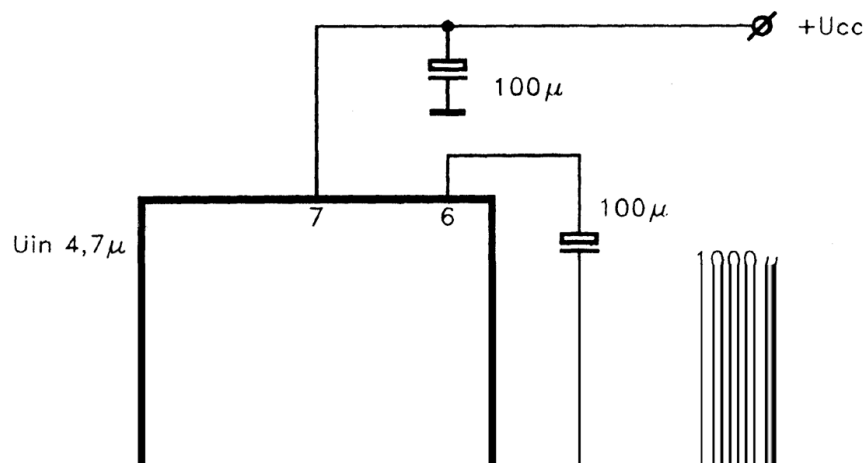
| Tip | UCC min V | UCC nom V | UCC max V | Pout W | RL Ω | Case |
|--------------|--------------|--------------|--------------|-----------|----------------|--------|
| TA7240AP-BTL | 9 | 13 | 25 | 10 | 4 | 12-SIL |



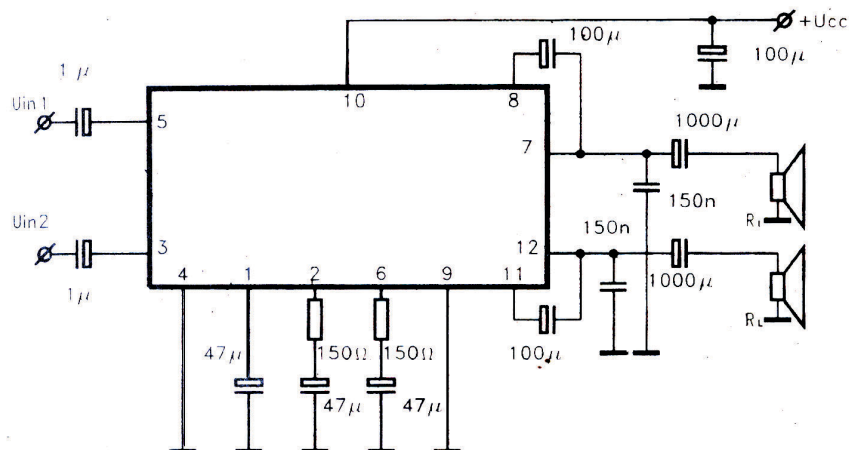
| Tip | UCC min V | UCC nom V | UCC max V | Pout W | RL Ω | Case |
|-------------|--------------|--------------|--------------|-----------|----------------|--------|
| TA7250P(AP) | 9 | 13 | 25 | 23 | 4 | 12-SQL |
| TA7251BP | 9 | 13 | 25 | 23 | 4 | 12-SQL |



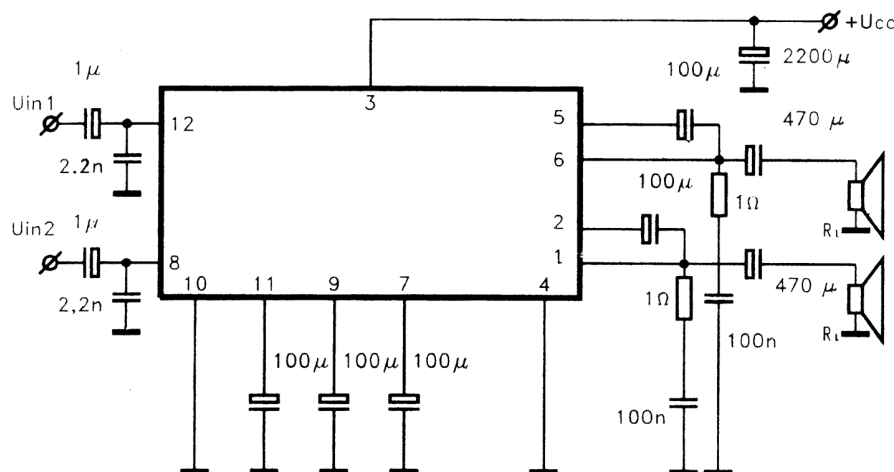
| Tip | UCC min V | UCC nom V | UCC max V | Pout W | RL Ω | Case |
|-------------|--------------|--------------|--------------|-----------|----------------|-------|
| TA7252P(AP) | 9 | 13 | 25 | 9,6 | 2 | 7-SIL |



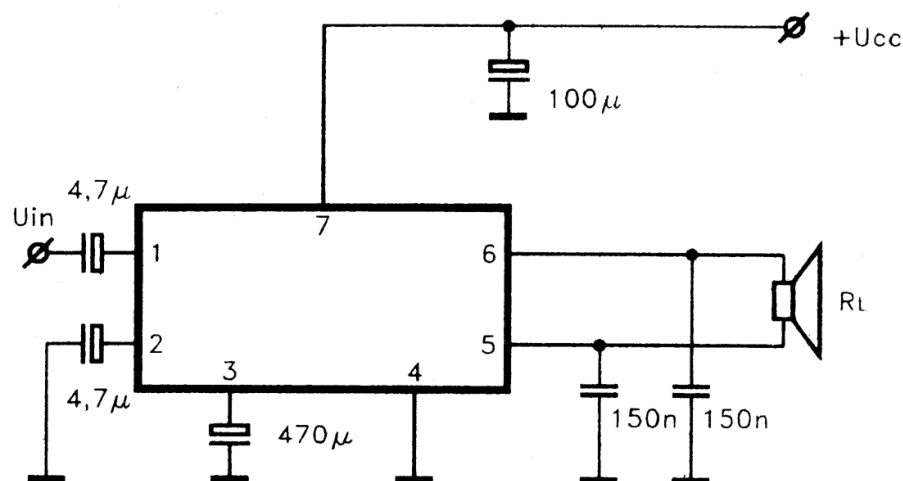
| Tip | UCC min V | UCC nom V | UCC max V | Pout W | RL Ω | Case |
|---------|--------------|--------------|--------------|-----------|----------------|--------|
| TA7269P | 9 | 15 | 20 | 2x8 | 3 | 12-SQL |
| TA7286P | 6 | 12 | 15 | 2x4,6 | 4 | 12-SQL |



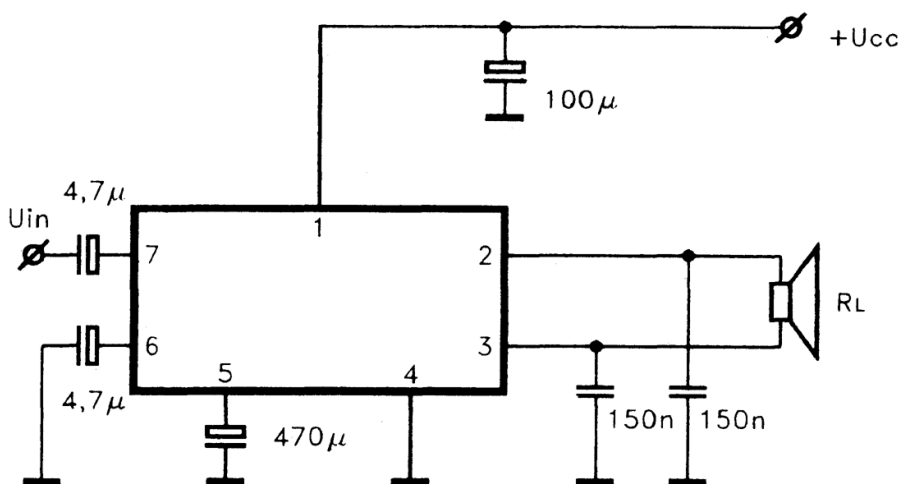
| Tip | UCC min V | UCC nom V | UCC max V | Pout W | RL Ω | Case |
|---------|--------------|--------------|--------------|-----------|----------------|--------|
| TA7281P | 9 | 14,4 | 25 | 2x5,8 | 4 | 12-SQL |



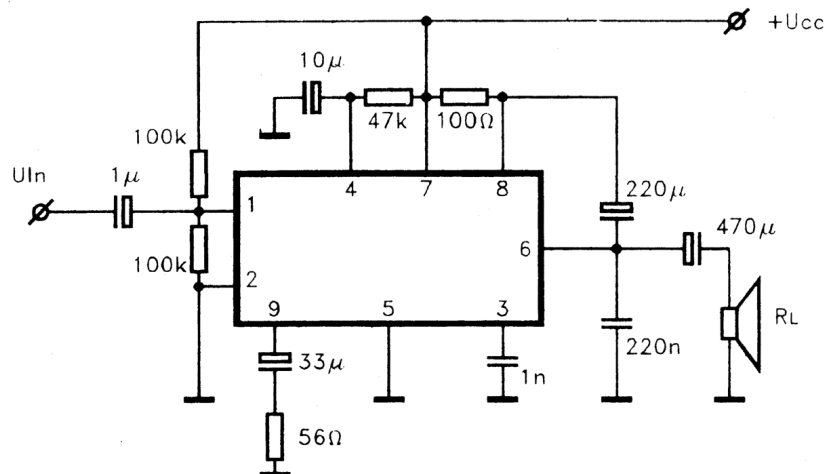
| Tip | UCC min V | UCC nom V | UCC max V | Pout W | RL Ω | Case |
|---------|--------------|--------------|--------------|-----------|----------------|-------|
| TA7274P | 9 | 13 | 25 | 12 | 4 | 7-SIL |



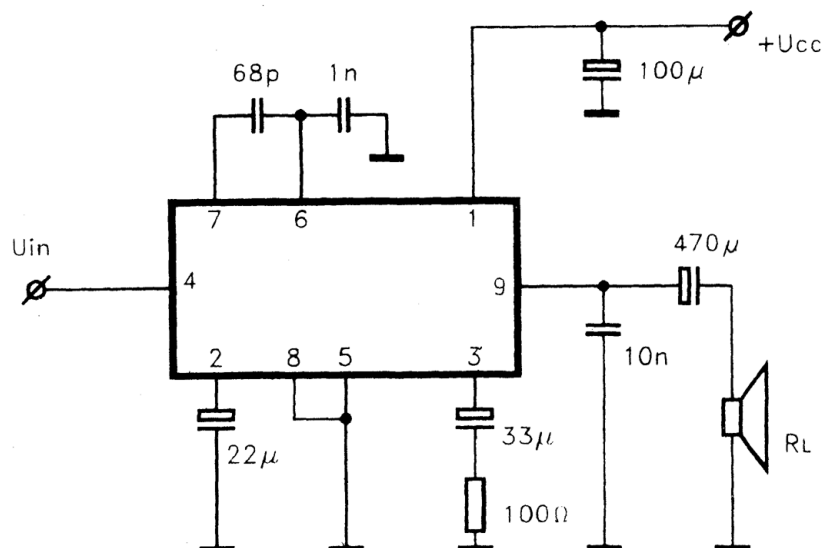
| Tip | UCC min V | UCC nom V | UCC max V | Pout W | RL Ω | Case |
|---------|--------------|--------------|--------------|-----------|----------------|-------|
| TA7275P | 9 | 13 | 25 | 12 | 4 | 7-SIL |



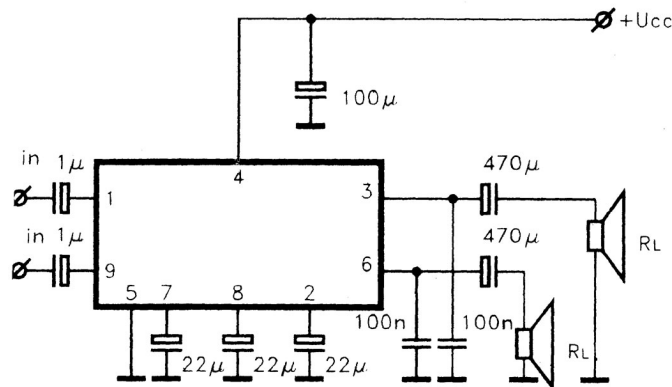
| Tip | UCC min V | UCC nom V | UCC max V | Pout W | RL Ω | Case |
|---------|--------------|--------------|--------------|-----------|----------------|-------|
| TA7331P | 2 | 4,5 | 6 | 0,3 | 8 | 9-SIP |



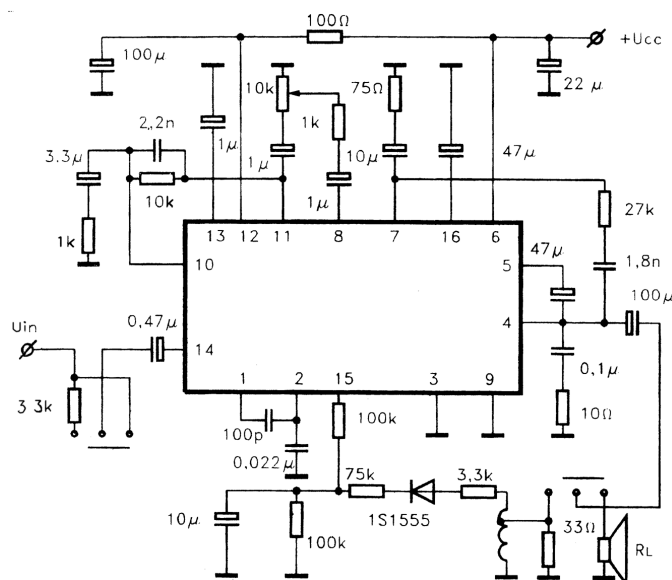
| Tip | UCC min V | UCC nom V | UCC max V | Pout W | RL Ω | Case |
|---------|--------------|--------------|--------------|-----------|----------------|-------|
| TA7336P | 3 | 6 | 12 | 0,34 | 8 | 9-SIP |



| Tip | UCC min V | UCC nom V | UCC max V | Pout W | RL Ω | Case |
|---------|--------------|--------------|--------------|-----------|----------------|-------|
| TA7376P | 1,8 | 4,5 | 8 | 0,3 | 4 | 9-SIP |

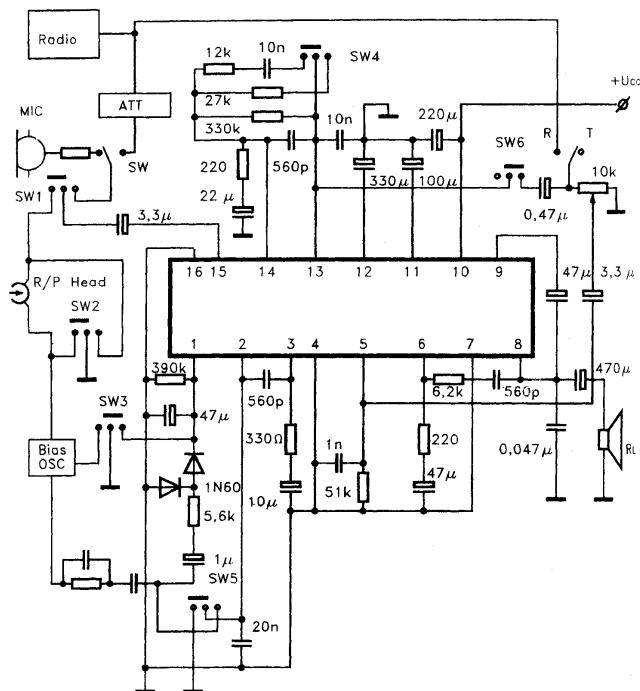


| Tip | UCC min V | UCC nom V | UCC max V | Pout W | RL Ω | Case |
|---------|--------------|--------------|--------------|-----------|----------------|-------|
| TA7625F | 2 | 3 | 4,5 | 0,15 | 4 | 16-SO |

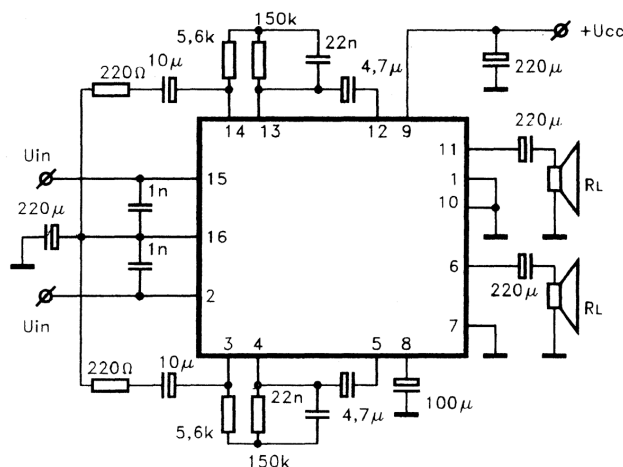


18000 Niš, Jovana Ristića 7, P.O.Box 135, Tel: 018 / 520-455, 522-814, 522-965, fax: 522-660
<http://www.MGelectronic.co.yu> e-mail: office@MGelectronic.co.yu

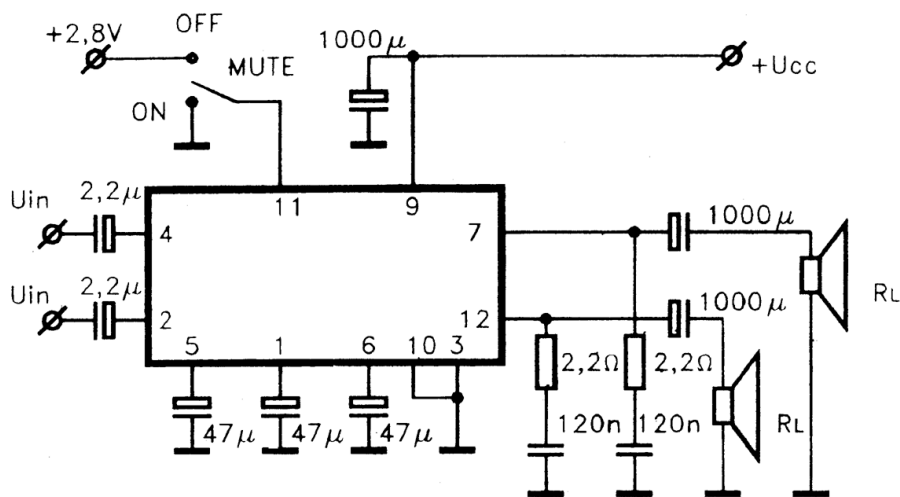
| Tip | UCC min V | UCC nom V | UCC max V | Pout W | RL Ω | Case |
|----------------|--------------|--------------|--------------|-----------|---------|--------|
| TA7628P | 3,5 | 6 | 9 | 0,6 | 8 | 16-DIP |



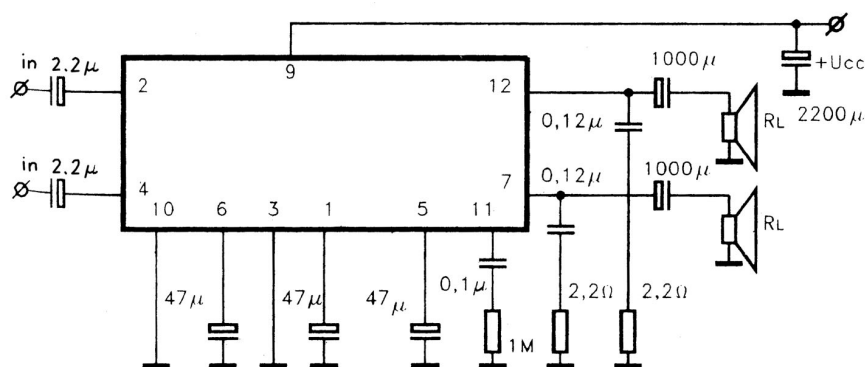
| Tip | UCC min V | UCC nom V | UCC max V | Pout W | RL Ω | Case |
|----------------|--------------|--------------|--------------|-----------|---------|--------|
| TA8111P | 2 | 3 | 9 | 2x0,16 | 32 | 16-DIP |



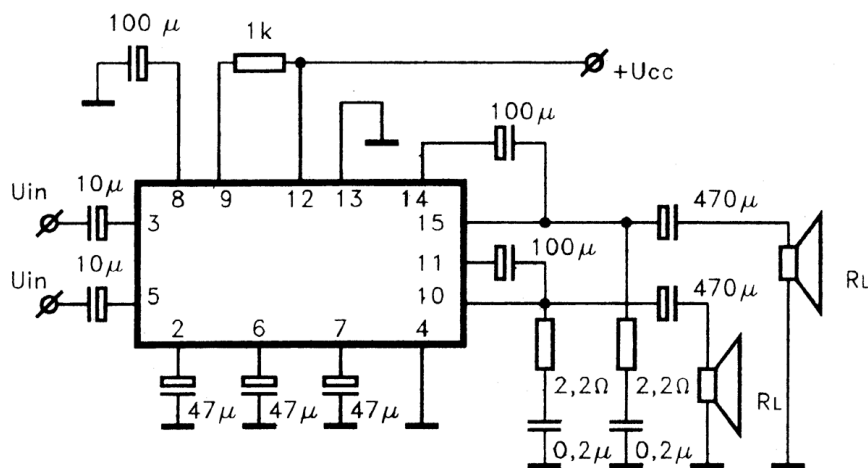
| Tip | UCC min V | UCC nom V | UCC max V | Pout W | RL Ω | Case |
|-----------------|--------------|--------------|--------------|-----------|----------------|--------|
| TA8200AH | 10 | 28 | 37 | 2x13 | 8 | 12-SQL |



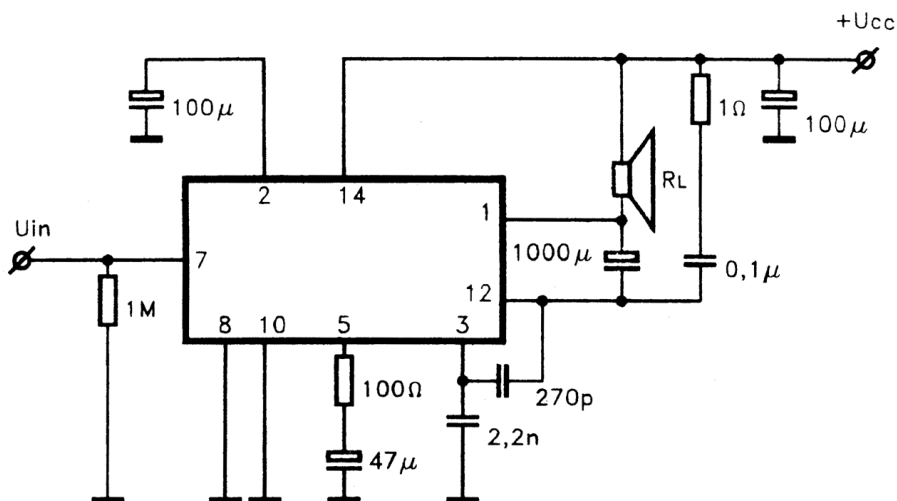
| Tip | UCC min V | UCC nom V | UCC max V | Pout W | RL Ω | Case |
|----------------|--------------|--------------|--------------|-----------|----------------|--------|
| TA8216P | 12 | 28 | 40 | 2x13 | 8 | 12-SQL |



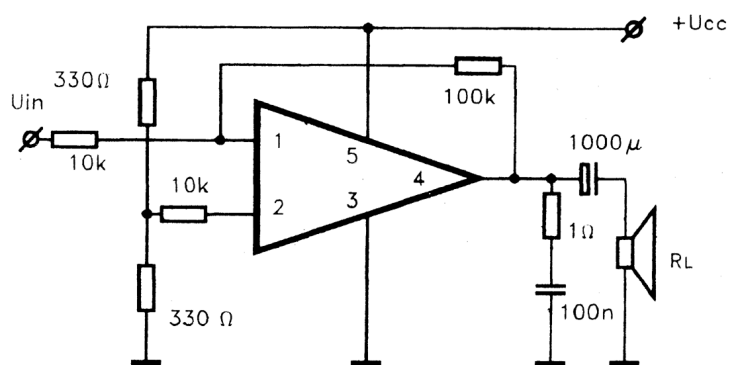
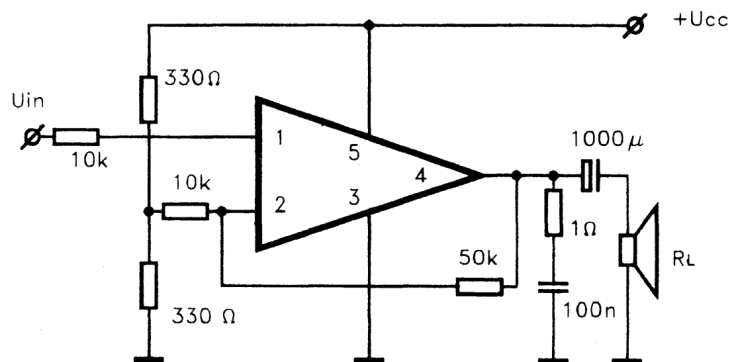
| Tip | UCC min V | UCC nom V | UCC max V | Pout W | RL Ω | Case |
|---------|--------------|--------------|--------------|-----------|----------------|--------|
| TA8238K | 6 | 13,2 | 18 | 5,3 | 4 | 15-SIL |



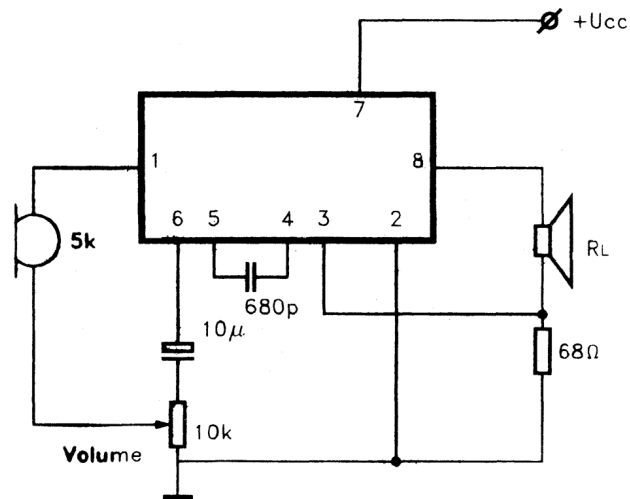
| Tip | UCC min V | UCC nom V | UCC max V | Pout W | RL Ω | Case |
|--------|--------------|--------------|--------------|-----------|----------------|--------|
| TCA150 | 12 | 7 | 14 | 5,5 | 4 | 14-QIP |



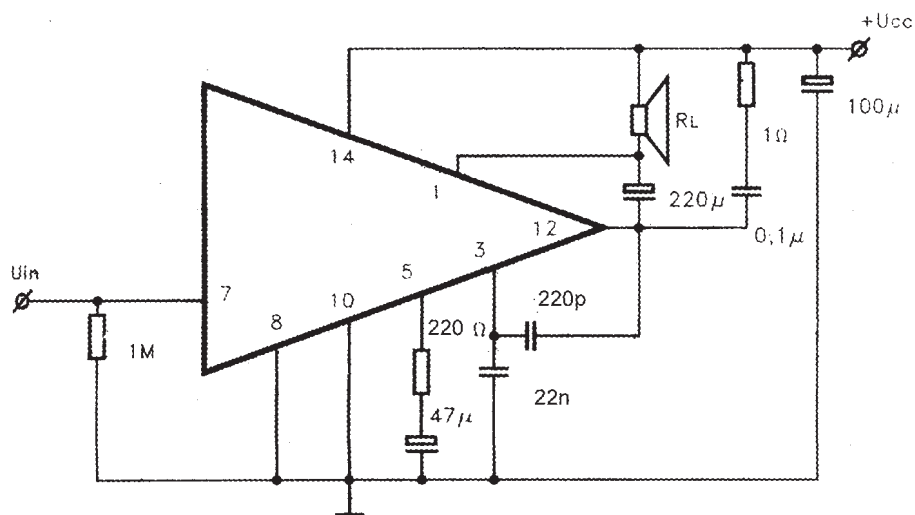
| Tip | UCC min V | UCC nom V | UCC max V | Pout W | RL Ω | Case |
|--------|--------------|--------------|--------------|-----------|----------------|----------|
| TCA365 | ± 4 | ± 15 | ± 21 | 25 | 8,2 | TO-220/5 |



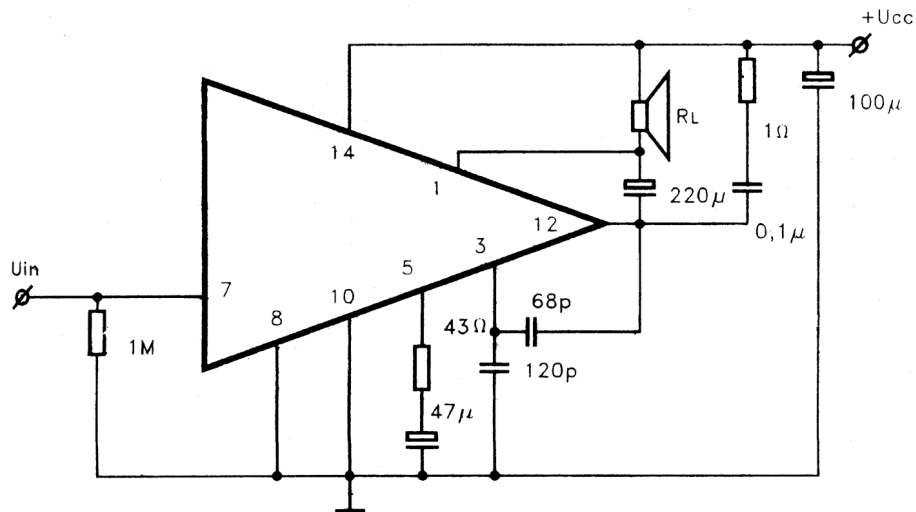
| Tip | UCC min V | UCC nom V | UCC max V | Pout W | RL Ω | Case |
|----------------|--------------|--------------|--------------|-----------|----------------|--------|
| TCA1004 | | 1,3 | | 0,005 | 200 | 8-MDIP |



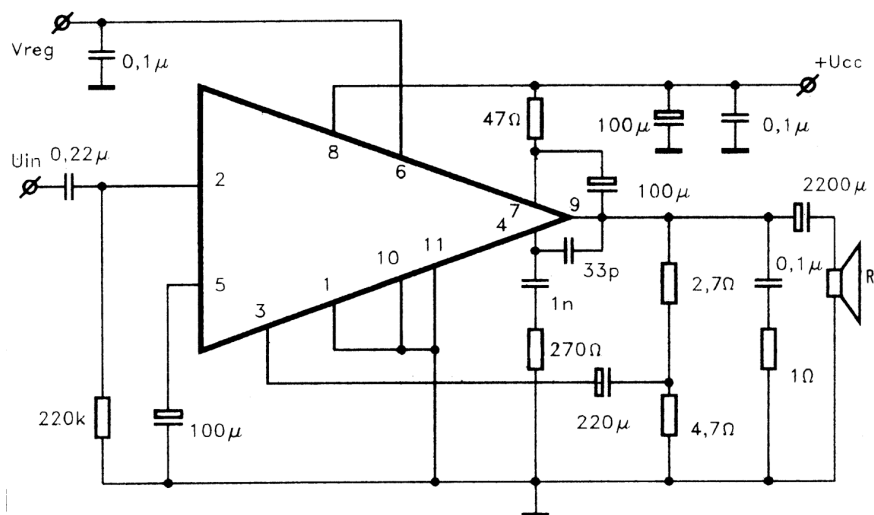
| Tip | UCC min V | UCC nom V | UCC max V | Pout W | RL Ω | Case |
|----------------|--------------|--------------|--------------|-----------|----------------|--------|
| TDA1045 | 6 | 9 | 12 | 1 | 8 | 14-QIP |



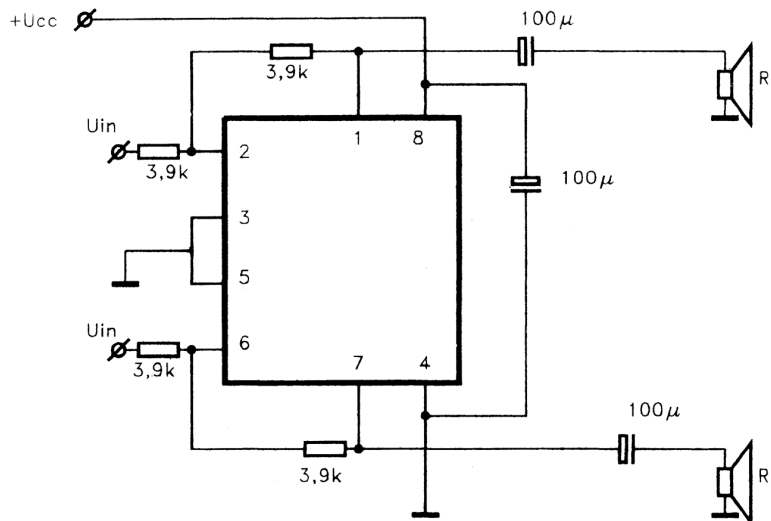
| Tip | UCC min V | UCC nom V | UCC max V | Pout W | RL Ω | Case |
|----------------|--------------|--------------|--------------|-----------|----------------|--------|
| TDA1051 | 6 | 12 | 18 | 1 | 15 | 14-QIP |



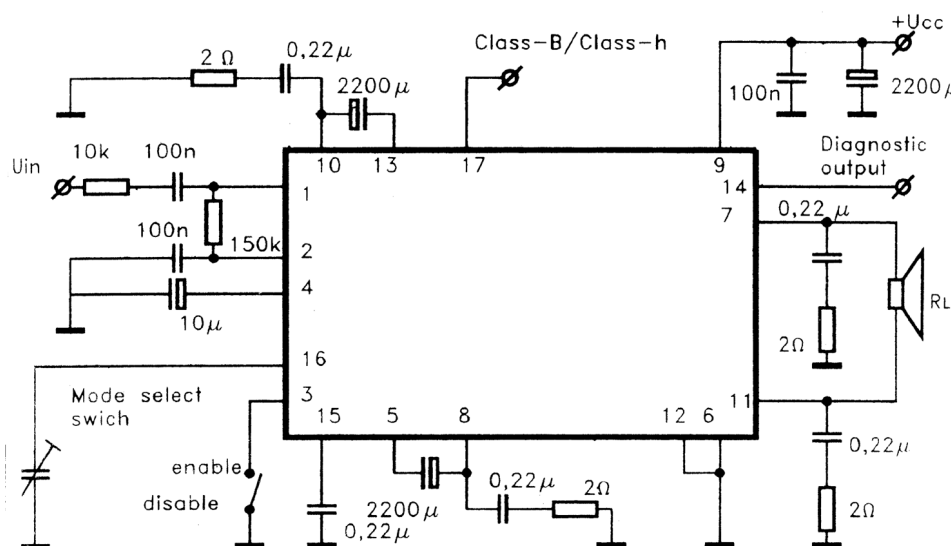
| Tip | UCC min V | UCC nom V | UCC max V | Pout W | RL Ω | Case |
|--------------------|--------------|--------------|--------------|-----------|----------------|--------|
| TDA1100(SP) | 9 | 14 | 40 | 10 | 2 | 11-SIL |



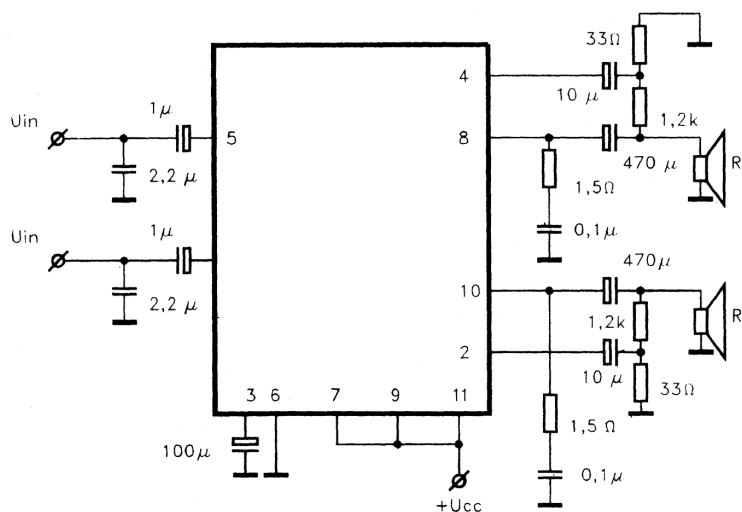
| Tip | UCC min V | UCC nom V | UCC max V | Pout W | RL Ω | Case |
|----------|-----------|-----------|-----------|--------|-------------|------|
| TDA1308T | | 5 | 8 | 2x0,06 | 32 | 8-SO |



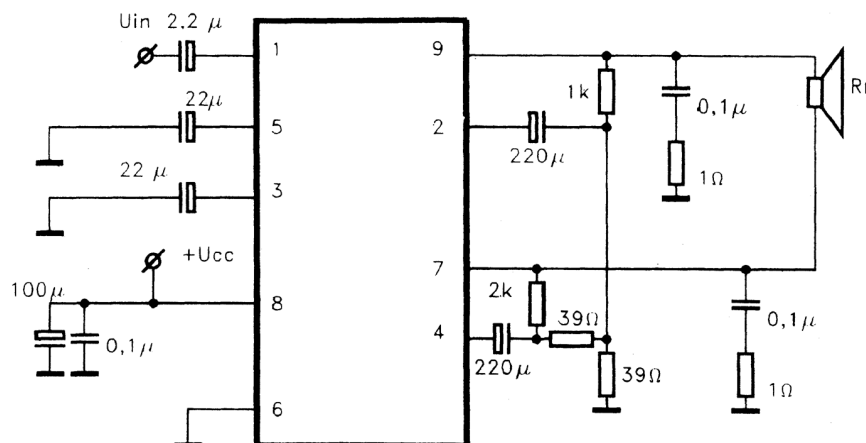
| Tip | UCC min V | UCC nom V | UCC max V | Pout W | RL Ω | Case |
|----------|-----------|-----------|-----------|--------|-------------|---------|
| TDA1560Q | 8 | 14,4 | 30 | 40 | 8 | 17-SILP |



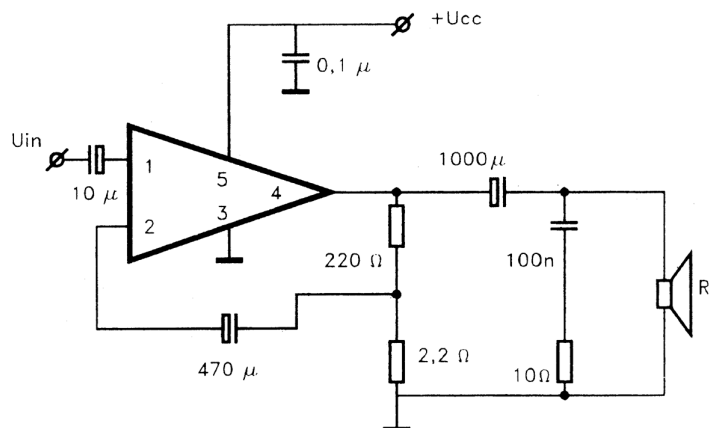
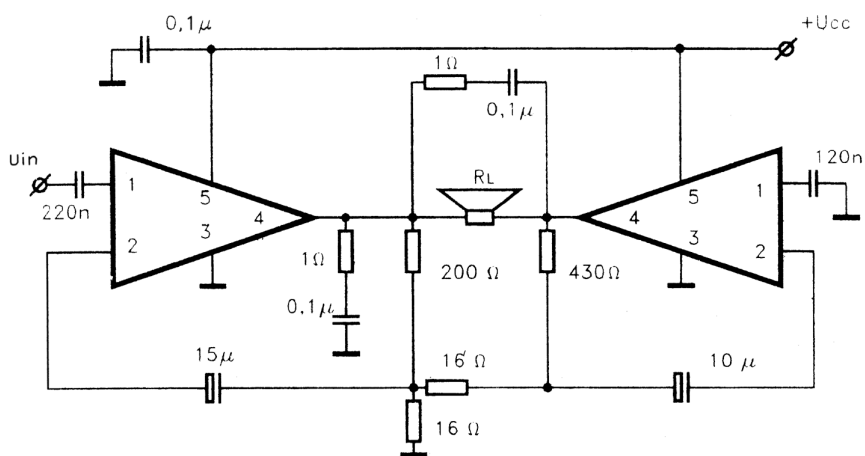
| Tip | UCC min V | UCC nom V | UCC max V | Pout W | RL Ω | Case |
|---------|--------------|--------------|--------------|-----------|----------------|--------|
| TDA2004 | 6 | 14,4 | 18 | 2x6,5 | 4 | 11-SQL |
| TDA2005 | 6 | 14,4 | 18 | 2x12 | 2 | 11-SQL |



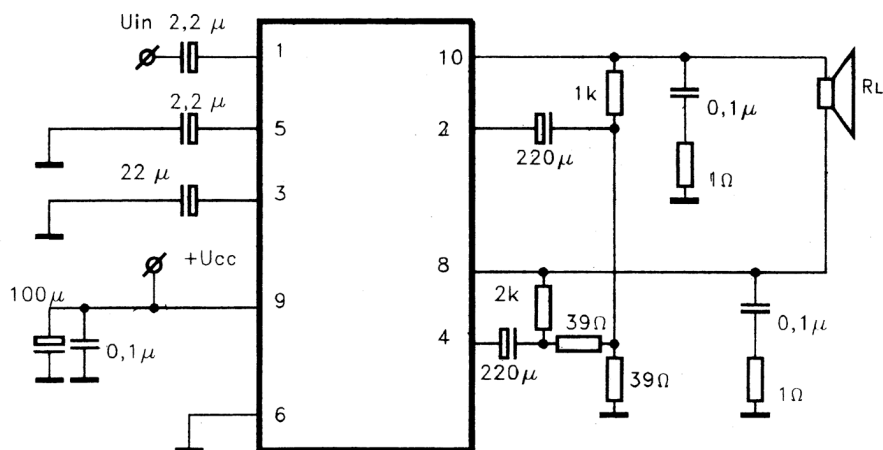
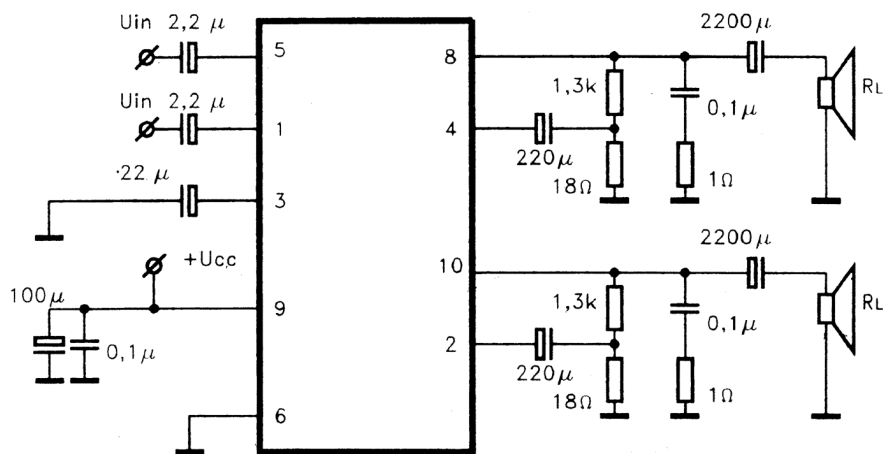
| Tip | UCC min V | UCC nom V | UCC max V | Pout W | RL Ω | Case |
|--------------|--------------|--------------|--------------|-----------|----------------|-------|
| TDA2007A BTL | 8 | 18 | 26 | 14 | 8 | 9-SIL |



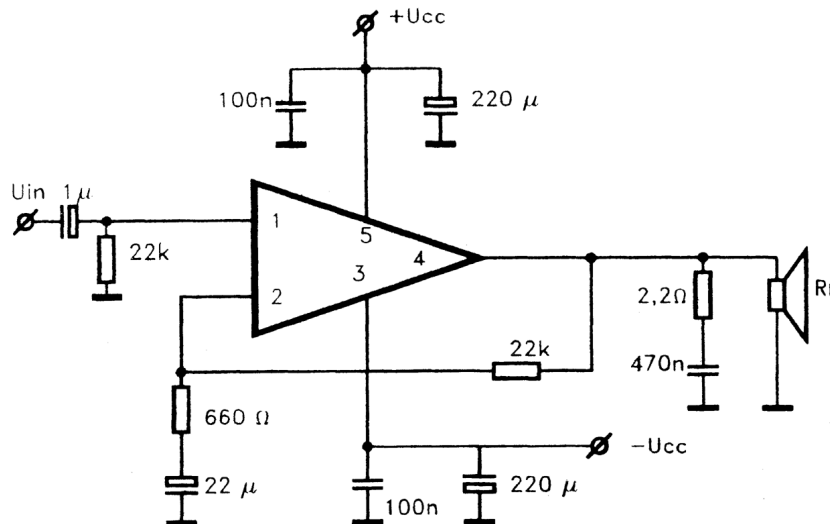
| Tip | UCC min V | UCC nom V | UCC max V | Pout W | RL Ω | Case |
|----------------|--------------|--------------|--------------|-----------|----------------|----------|
| TDA2008 | 10 | 22 | 28 | 12 | 4 | TO-220/5 |
| BTL | 10 | 22 | 28 | 20 | 8 | TO-220/5 |



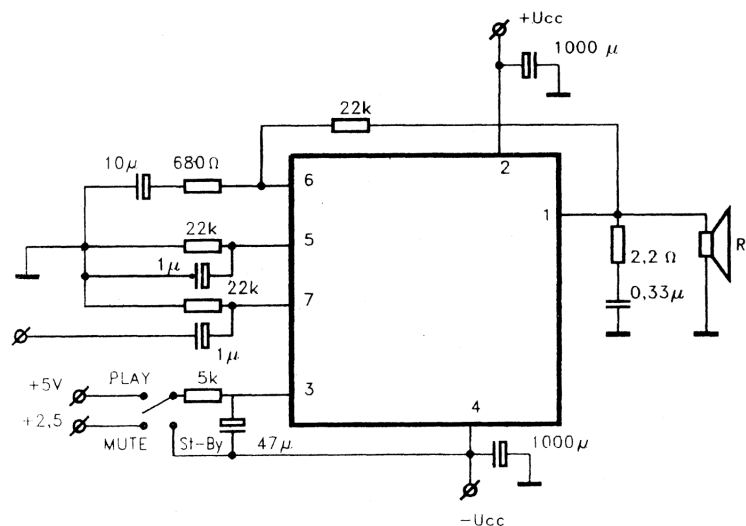
| Tip | UCC min V | UCC nom V | UCC max V | Pout W | RL Ω | Case |
|------------|--------------|--------------|--------------|-----------|----------------|--------|
| TDA2009(S) | 8 | 23 | 28 | 2x11 | 4 | 11-SQL |
| BTL | 8 | 23 | 28 | 20 | 4 | 11-SQL |
| TDA2009(A) | 8 | 24 | 28 | 2x1,25 | 4 | 11-SQL |



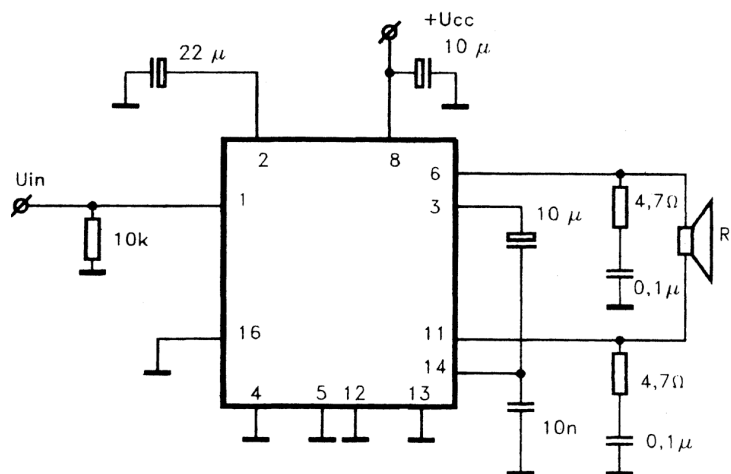
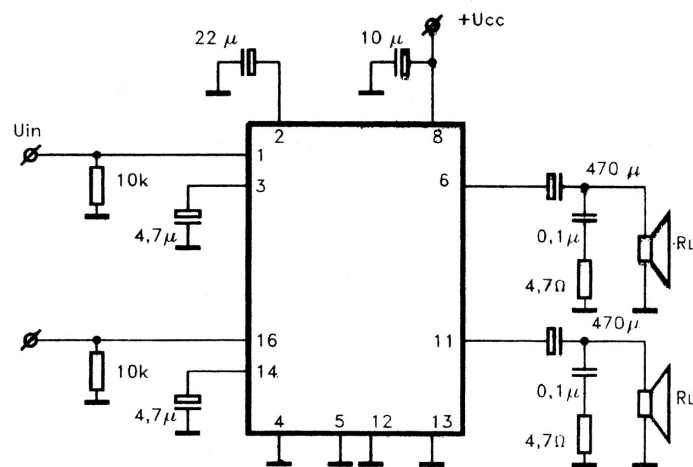
| Tip | UCC min V | UCC nom V | UCC max V | Pout W | RL Ω | Case |
|----------------|--------------|--------------|--------------|-----------|----------------|----------|
| TDA2051 | ± 5 | ± 18 | ± 25 | 40 | 4 | TO-220/5 |



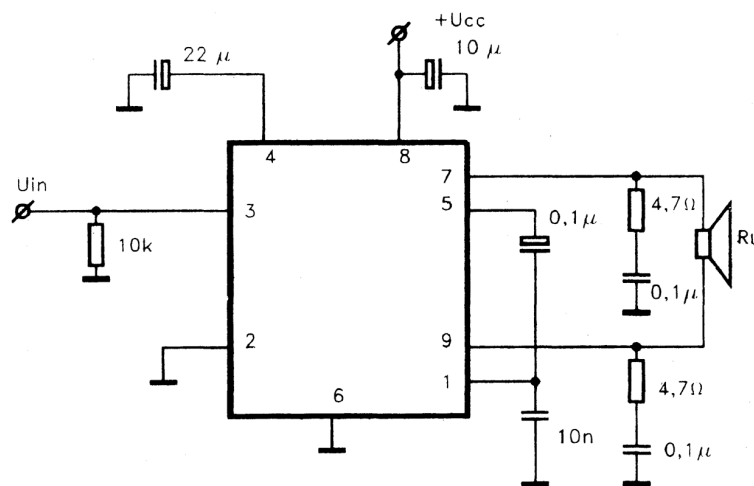
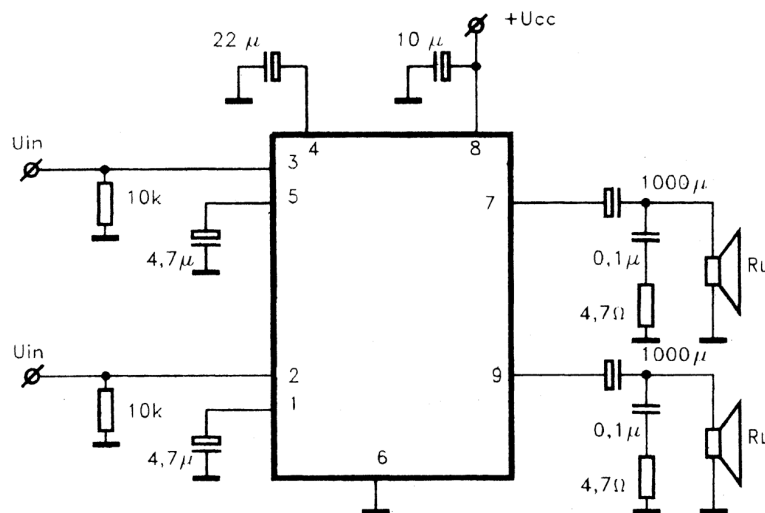
| Tip | UCC min V | UCC nom V | UCC max V | Pout W | RL Ω | Case |
|----------------|--------------|--------------|--------------|-----------|----------------|----------|
| TDA2052 | ± 6 | ± 18 | ± 25 | 30 | 4 | TO-220/5 |



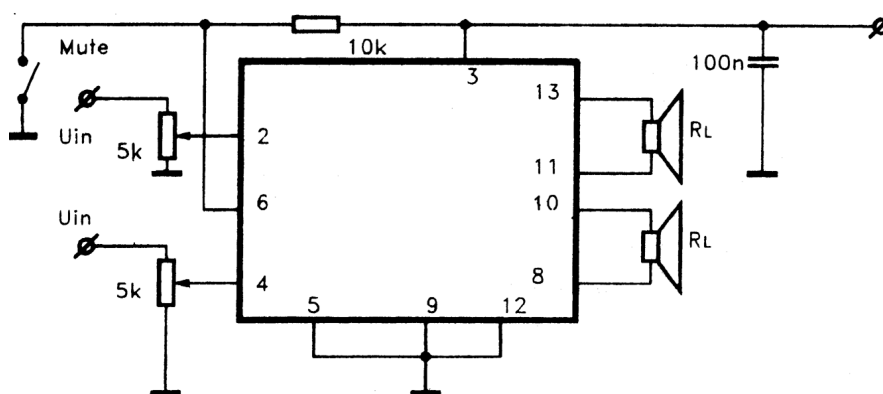
| Tip | UCC min V | UCC nom V | UCC max V | Pout W | RL Ω | Case |
|---------|--------------|--------------|--------------|-----------|----------------|--------|
| TDA2824 | 3 | 6 | 15 | 2x0,65 | 4 | 16-DIP |
| BTL | 3 | 6 | 15 | 1 | 8 | |



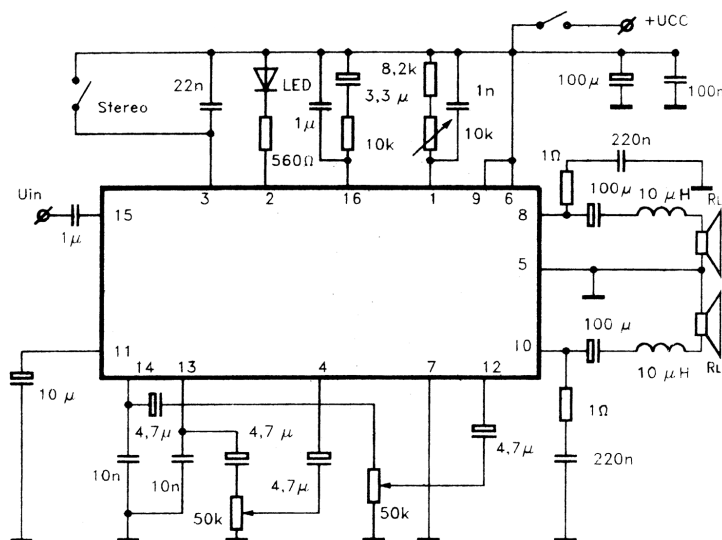
| Tip | UCC min V | UCC nom V | UCC max V | Pout W | RL Ω | Case |
|-----------------|--------------|--------------|--------------|-----------|----------------|-------|
| TDA2824S | 3 | 6 | 15 | 2x0,65 | 4 | 9-SIP |
| | 3 | 9 | 15 | 2x1,7 | 4 | 9-SIP |
| BTL | 3 | 6 | 15 | 1,5 | 8 | 9-SIP |



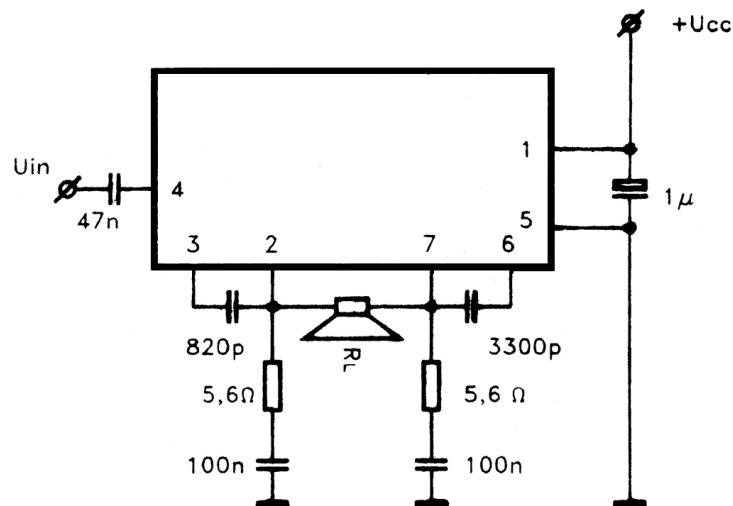
| Tip | UCC nom V | UCC max V | Icco mA | Pout W | RL Ω | Case |
|----------|--------------|--------------|------------|-----------|----------------|------|
| TDA7055Q | 3 | 12 | 18 | 2X6 | 4 | |



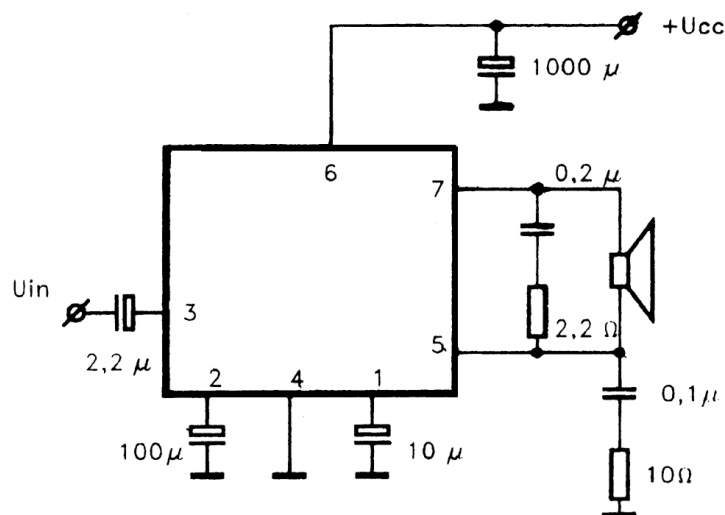
| Tip | UCC min V | UCC nom V | UCC max V | Pout W | RL Ω | Case |
|----------|--------------|--------------|--------------|-----------|----------------|--------|
| TDA7230A | 1,8 | 3 | 6 | 2x0,048 | 16 | 16-DIP |



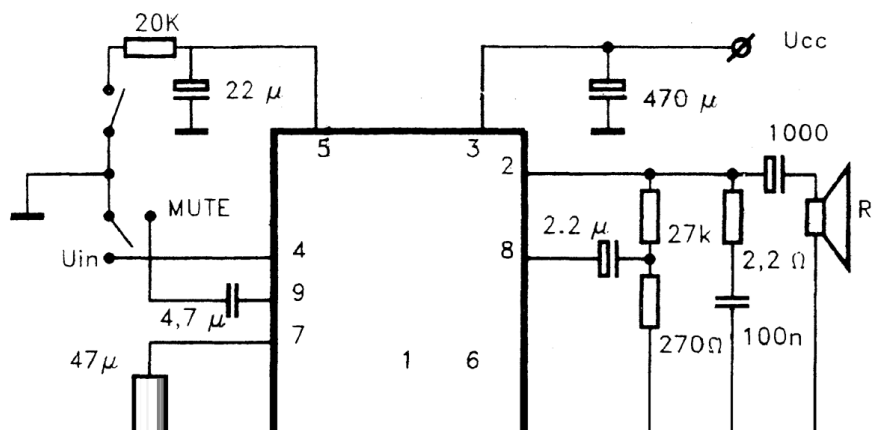
| Tip | UCC nom V | UCC max V | Icco mA | Pout W | RL Ω | Case |
|----------------|-----------|-----------|---------|---------|-------------|-------|
| TDA7236 | 0,9 | 1,25 | 1,6 | 2X0,017 | 32 | 8-DIP |



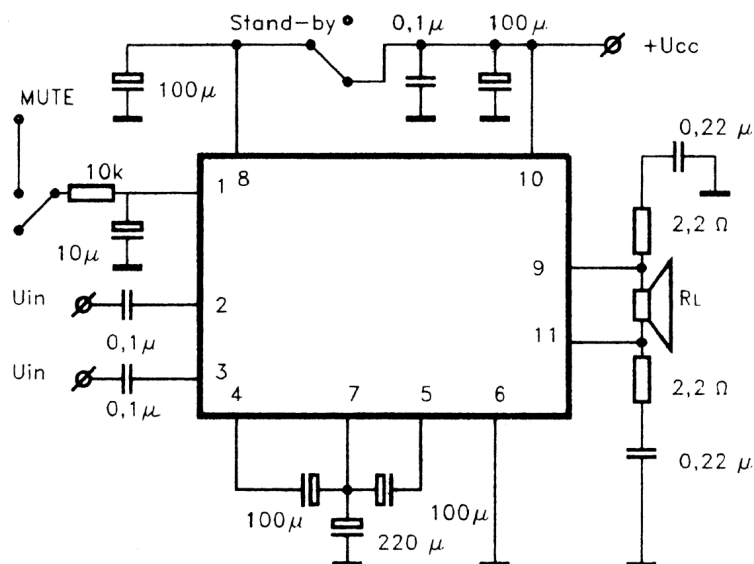
| Tip | UCC min V | UCC nom V | UCC max V | Pout W | RL Ω | Case |
|----------------|-----------|-----------|-----------|--------|-------------|----------|
| TDA7241 | 9 | 14,4 | 28 | 20 | 4 | TO-220/5 |



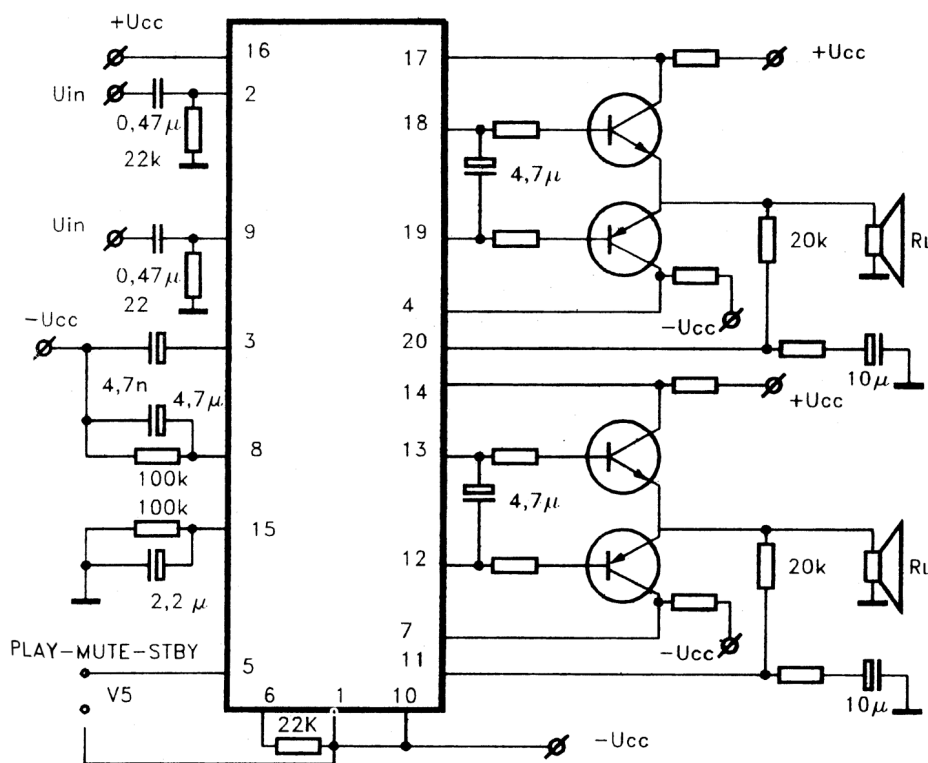
| Tip | UCC min V | UCC nom V | UCC max V | Pout W | RL Ω | Case |
|---------|--------------|--------------|--------------|-----------|----------------|------|
| TDA7245 | 12 | 14 | 30 | 5 | 4 | |



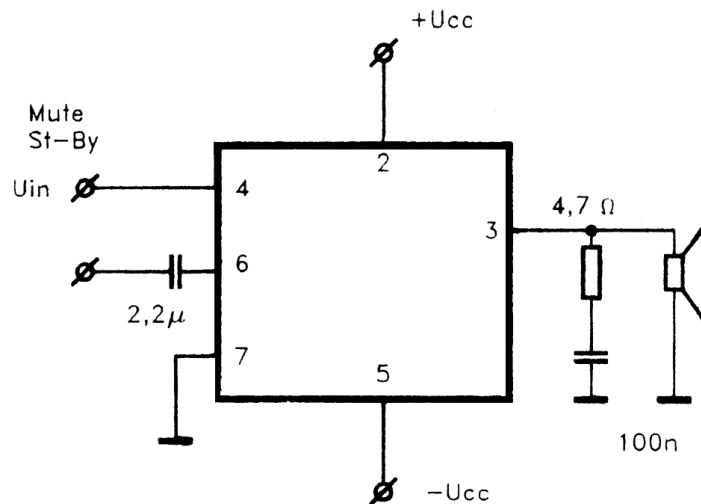
| Tip | UCC min V | UCC nom V | UCC max V | Pout W | RL Ω | Case |
|---------|--------------|--------------|--------------|-----------|----------------|--------|
| TDA7256 | 8 | 14,4 | 28 | 22 | 4 | 11-SQL |



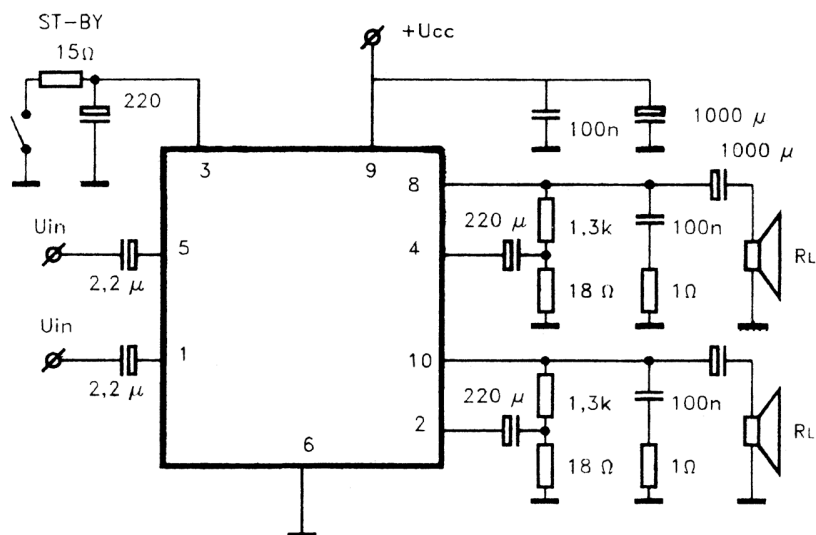
| Tip | UCC min V | UCC nom V | UCC max V | Pout W | RL Ω | Case |
|----------------|--------------|--------------|--------------|-----------|---------|--------|
| TDA7250 | ±10 | ±30 | ±45 | | | 20-DIP |



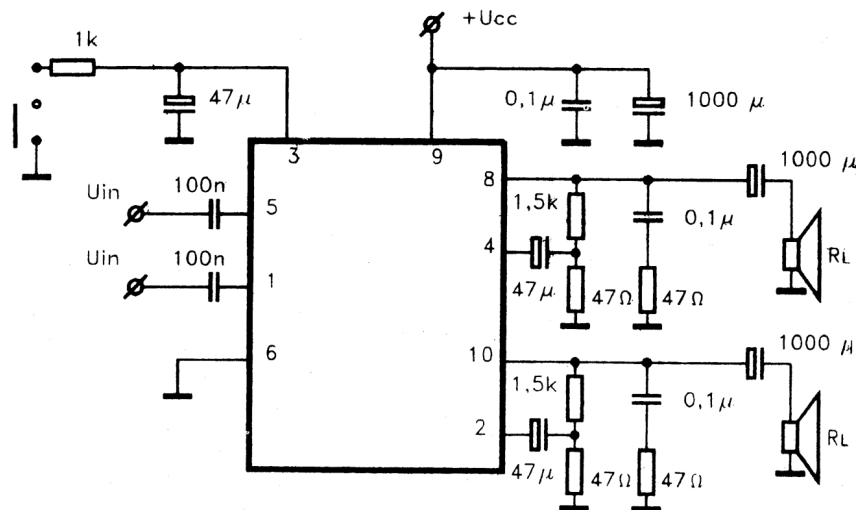
| Tip | UCC min V | UCC nom V | UCC max V | Pout W | RL Ω | Case |
|---------|--------------|--------------|--------------|-----------|----------------|-------|
| TDA7261 | | ± 20 | 50 | 25 | 8 | 8-SIL |



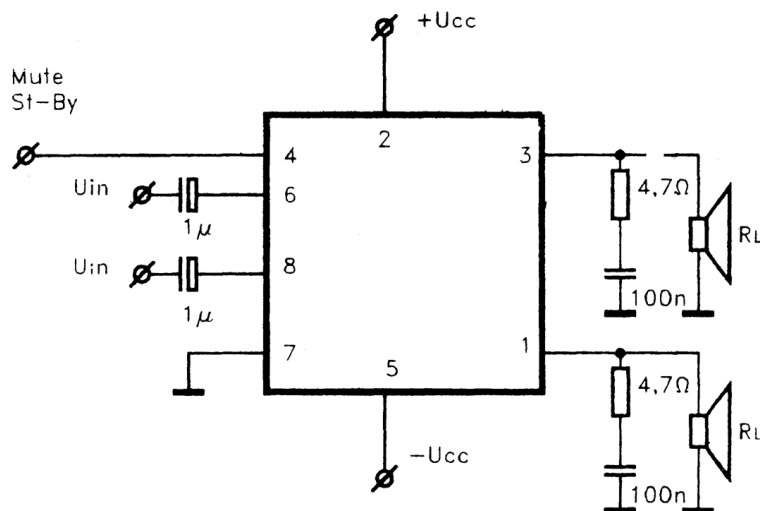
| Tip | UCC min V | UCC nom V | UCC max V | Pout W | RL Ω | Case |
|---------|--------------|--------------|--------------|-----------|----------------|--------|
| TDA7262 | 8 | 28 | 35 | 2x20 | 4 | 11-SQL |



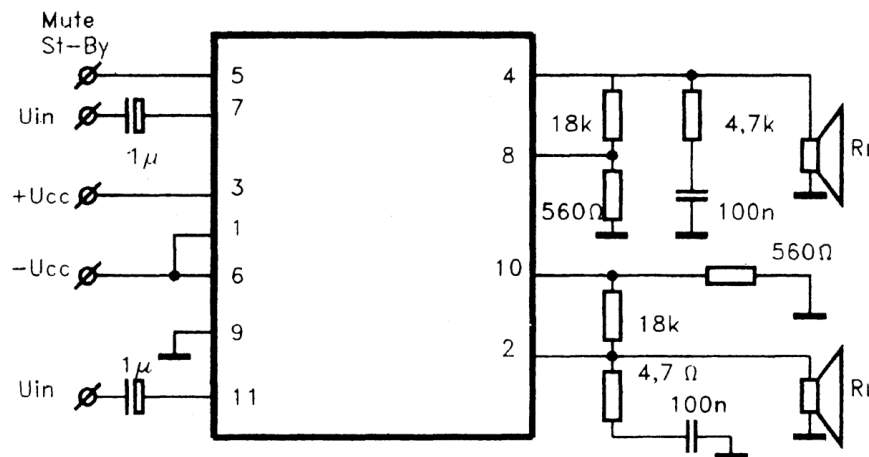
| Tip | UCC min V | UCC nom V | UCC max V | Pout W | RL Ω | Case |
|----------------|--------------|--------------|--------------|-----------|----------------|---------|
| TDA7263 | | 28 | 32 | 2x12 | 8 | 11-QILP |



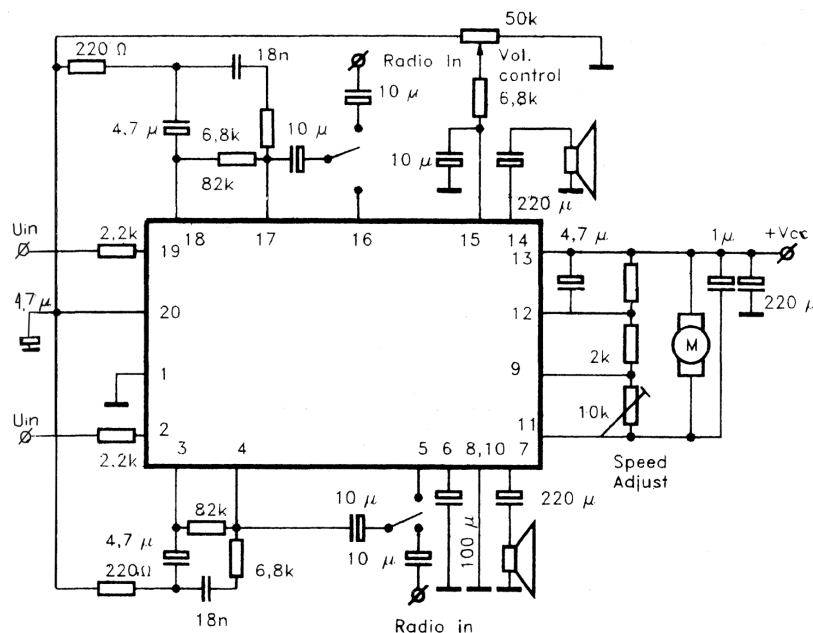
| Tip | UCC min V | UCC nom V | UCC max V | Pout W | RL Ω | Case |
|----------------|--------------|--------------|--------------|-----------|----------------|-------|
| TDA7264 | | ± 20 | ± 25 | 2x25 | 8 | 8-SIL |



| Tip | UCC min V | UCC nom V | UCC max V | Pout W | RL Ω | Case |
|----------------|--------------|--------------|--------------|-----------|----------------|--------|
| TDA7265 | | ± 20 | ± 25 | 2x25 | 8 | 11-SQL |

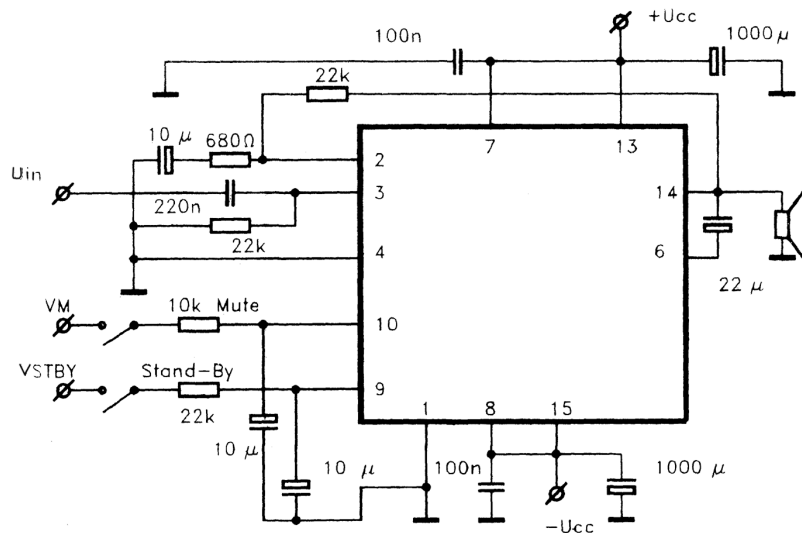


| Tip | UCC min V | UCC nom V | UCC max V | Pout W | RL Ω | Case |
|----------------|--------------|--------------|--------------|-----------|----------------|--------|
| TDA7285 | 1,8 | 3 | 6 | 2x0,05 | 16 | 20-DIP |

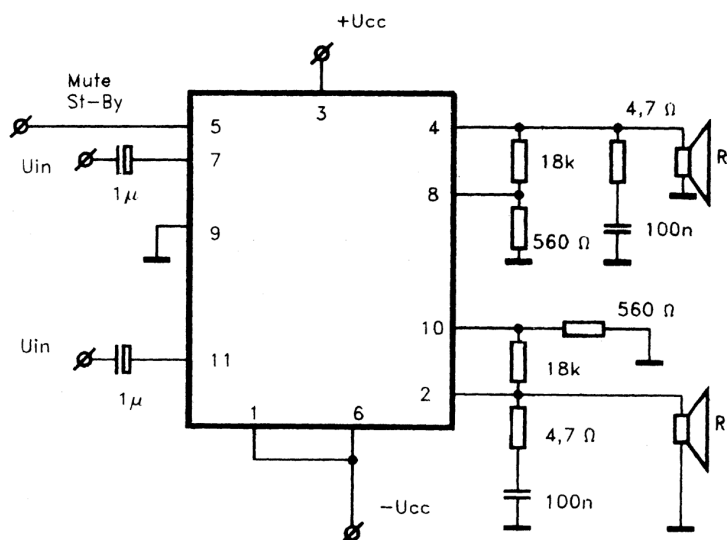


18000 Niš, Jovana Ristića 7, P.O.Box 135, Tel: 018 / 520-455, 522-814, 522-965, fax: 522-660
<http://www.MGElectronic.co.yu> e-mail: office@MGElectronic.co.yu

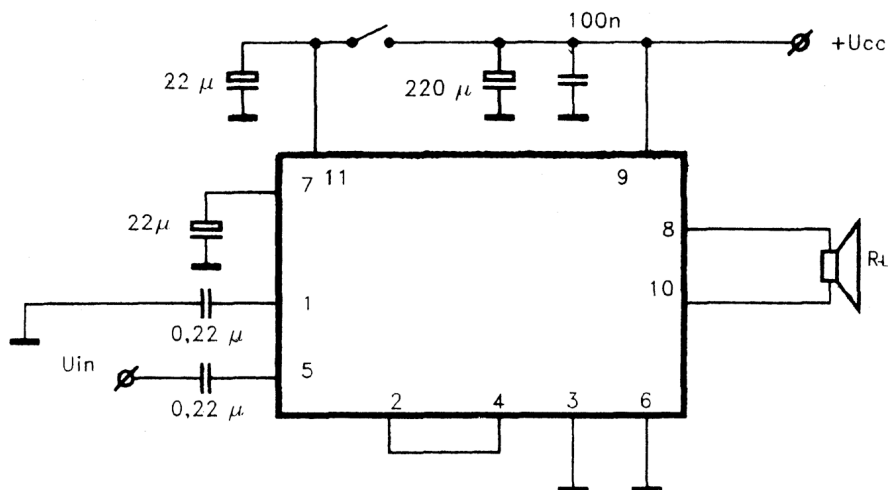
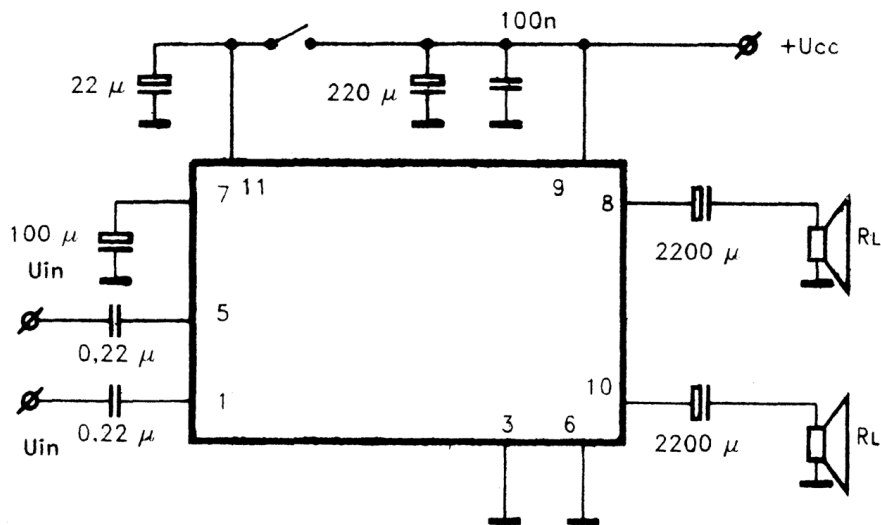
| Tip | UCC min V | UCC nom V | UCC max V | Pout W | RL Ω | Case |
|----------------|--------------|--------------|--------------|-----------|----------------|--------|
| TDA7294 | ± 10 | ± 38 | ± 40 | 100 | 8 | 15-SQL |



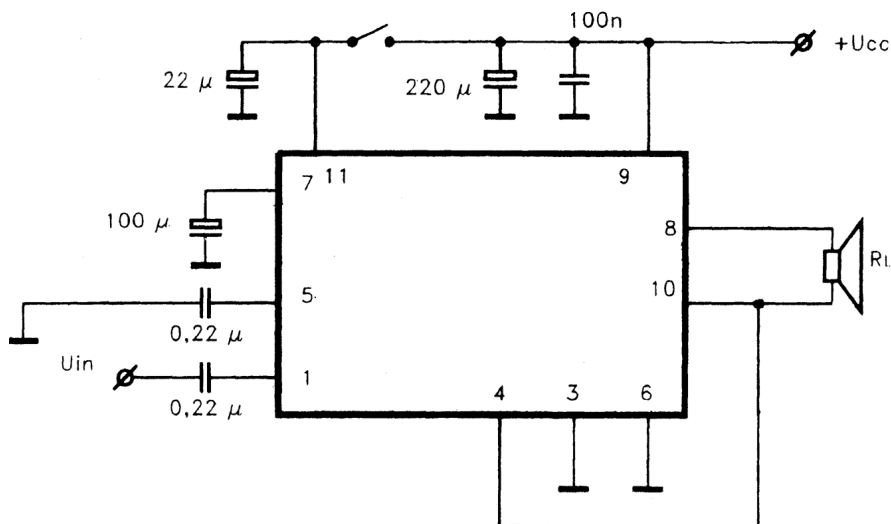
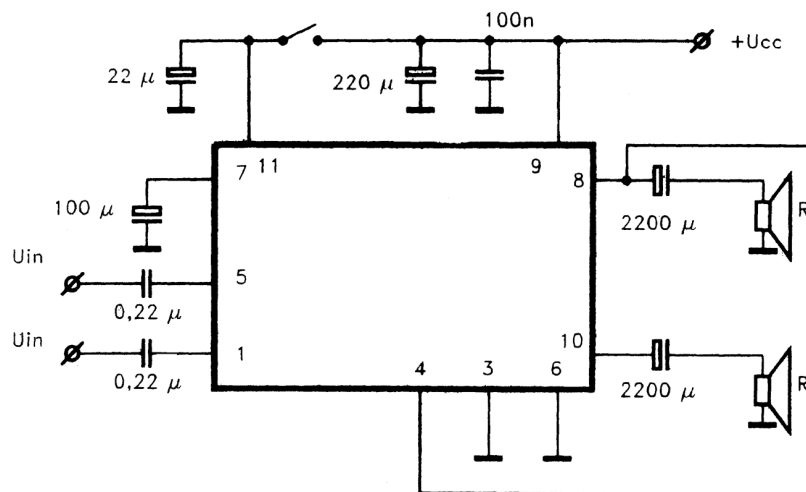
| Tip | UCC min V | UCC nom V | UCC max V | Pout W | RL Ω | Case |
|----------------|--------------|--------------|--------------|-----------|----------------|--------|
| TDA7365 | | $\pm 14,4$ | ± 28 | 2x6 | 8 | 15-SQL |



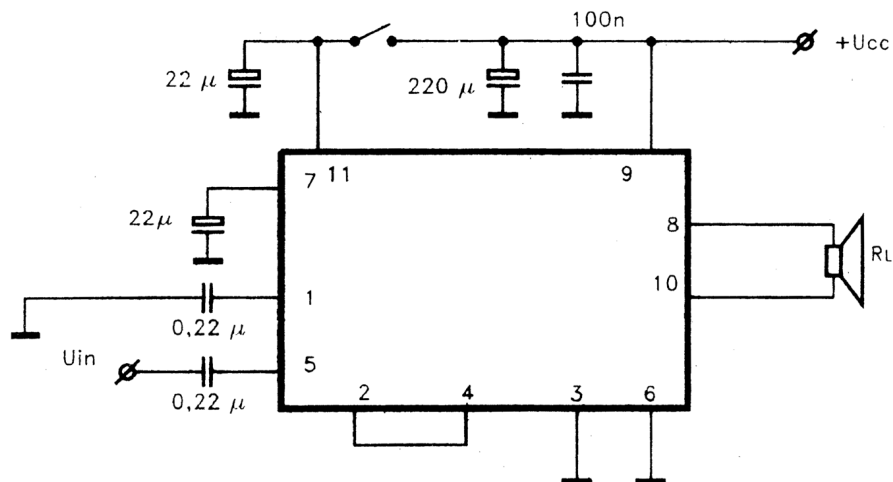
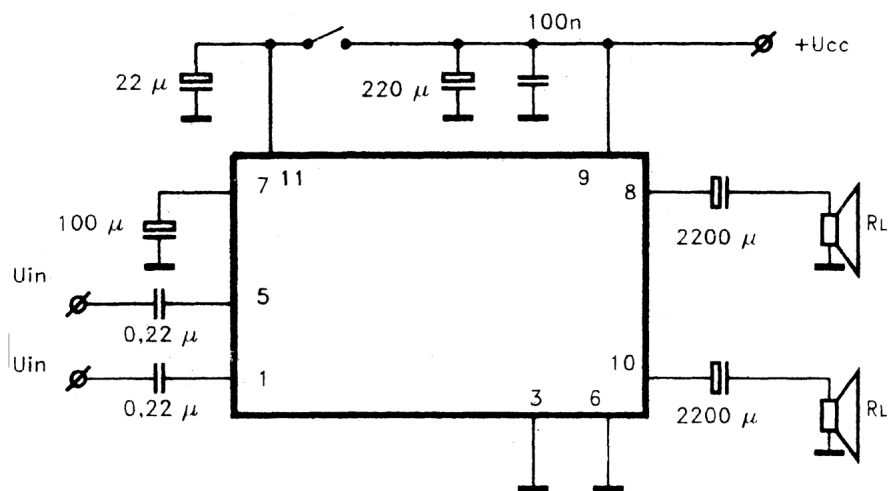
| Tip | UCC min V | UCC nom V | UCC max V | Pout W | RL Ω | Case |
|----------------|--------------|--------------|--------------|-----------|----------------|--------|
| TDA7350 | 8 | 14,4 | 28 | 2x11 | 2 | 11-SQL |
| BTL | 8 | 14,4 | 28 | 22 | 4 | 11-SQL |



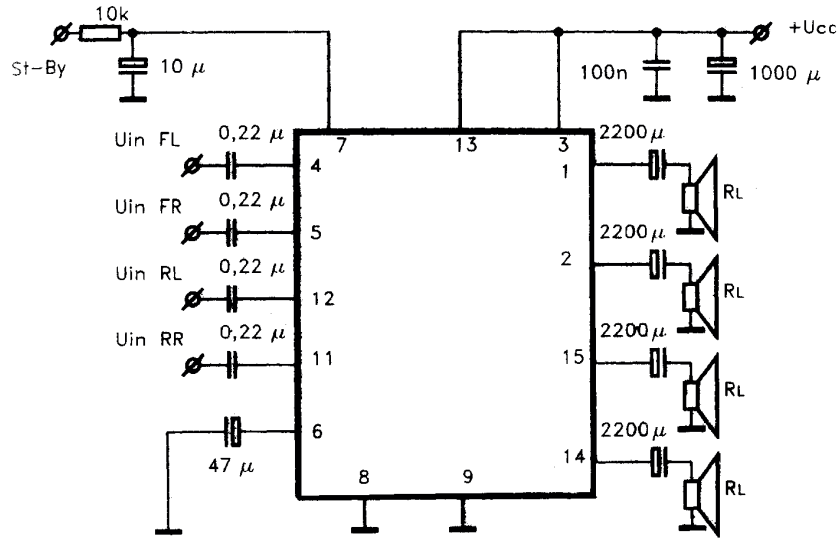
| Tip | UCC min V | UCC nom V | UCC max V | Pout W | RL Ω | Case |
|----------------|--------------|--------------|--------------|-----------|----------------|--------|
| TDA7353 | 8 | 14,4 | 28 | 2x13 | 1,6 | 11-SQL |
| BTL | 8 | 14,4 | 28 | 28 | 4 | 11-SQL |



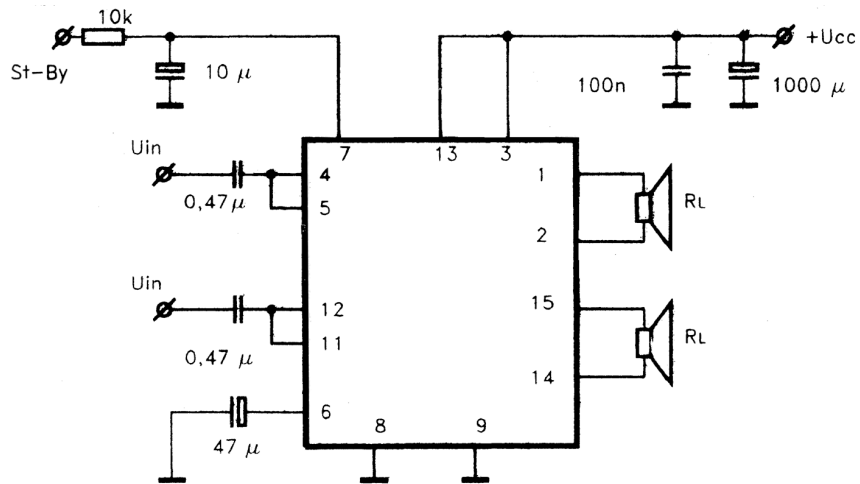
| Tip | UCC min V | UCC nom V | UCC max V | Pout W | RL Ω | Case |
|----------------|--------------|--------------|--------------|-----------|----------------|--------|
| TDA7360 | 8 | 14,4 | 28 | 2x12 | 1,6 | 11-SQL |
| BTL | 8 | 14,4 | 28 | 22 | 3,2 | 11-SQL |



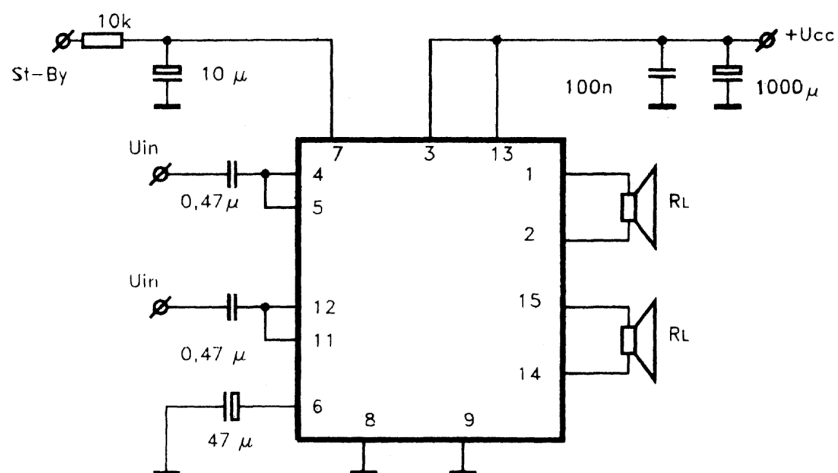
| Tip | UCC min V | UCC nom V | UCC max V | Pout W | RL Ω | Case |
|----------------|--------------|--------------|--------------|-----------|----------------|--------|
| TDA7370 | 8 | 14,4 | 28 | 4x6,5 | 4 | 15-SQL |



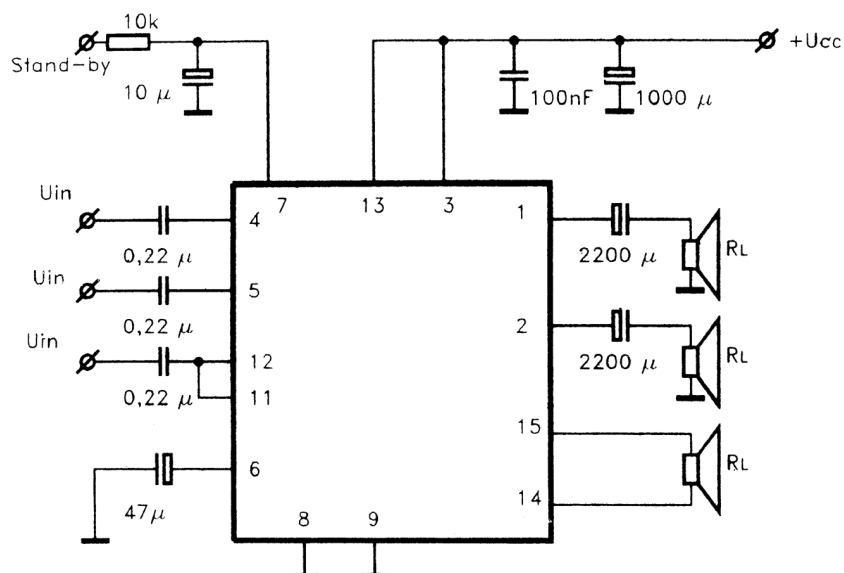
| Tip | UCC min V | UCC nom V | UCC max V | Pout W | RL Ω | Case |
|----------------|--------------|--------------|--------------|-----------|----------------|--------|
| TDA7370 | 8 | 14,4 | 28 | 2x20 | 4 | 15-SQL |



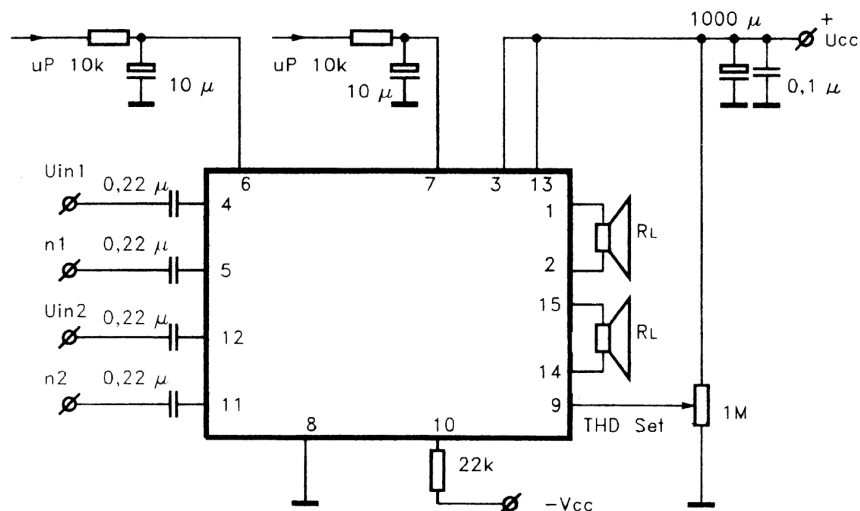
| Tip | UCC min V | UCC nom V | UCC max V | Pout W | RL Ω | Case |
|----------------|--------------|--------------|--------------|-----------|----------------|--------|
| TDA7374 | 8 | 14,4 | 28 | 2x21 | 4 | 15-SQL |



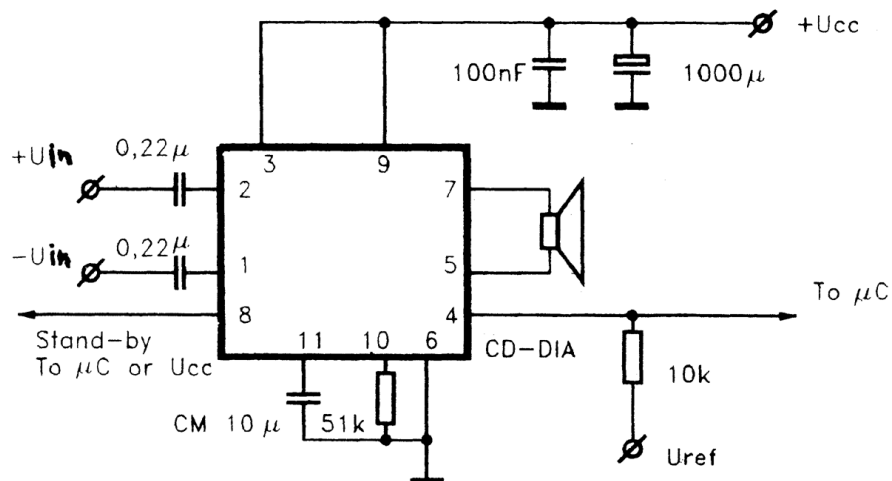
| Tip | UCC min V | UCC nom V | UCC max V | Pout W | RL Ω | Case |
|----------------|--------------|--------------|--------------|-----------|----------------|--------|
| TDA7375 | 8 | 14,4 | 18 | 2x25 | 4 | 15-SQL |



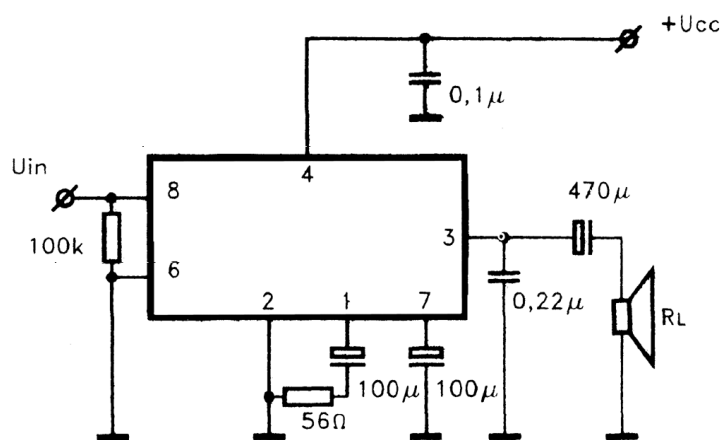
| Tip | UCC min V | UCC nom V | UCC max V | Pout W | RL Ω | Case |
|-----------------|--------------|--------------|--------------|-----------|----------------|--------|
| TDA7376B | 8 | 14,4 | 18 | 2x25 | 4 | 15-SQL |



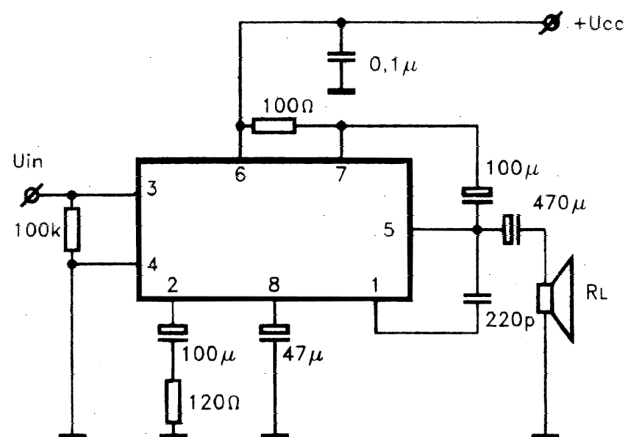
| Tip | UCC min V | UCC nom V | UCC max V | Pout W | RL Ω | Case |
|----------------|--------------|--------------|--------------|-----------|----------------|--------|
| TDA7396 | 8 | 14,4 | 18 | 45 | 2 | 11-SQL |
| TDA7396 | 8 | 14,4 | 18 | 27 | 4 | 11-SQL |



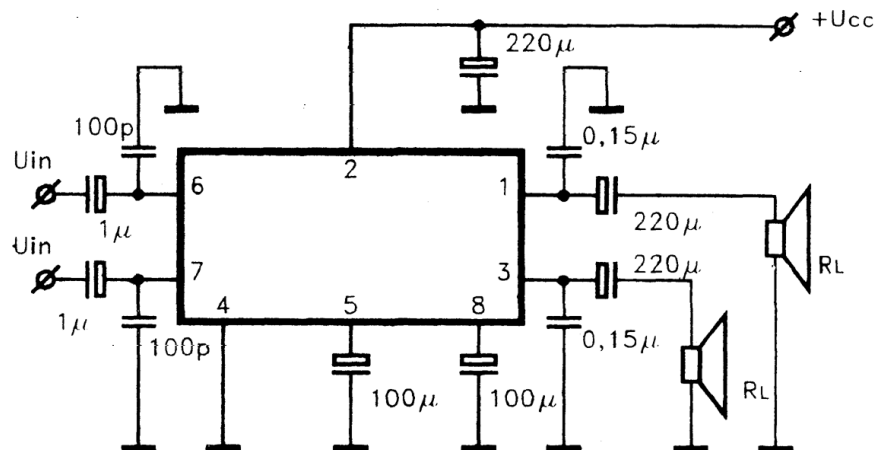
| Tip | UCC min V | UCC nom V | UCC max V | Pout W | RL Ω | Case |
|----------|--------------|--------------|--------------|-----------|----------------|-------|
| U410B | 3 | 9 | 15 | 1 | 8 | 8-DIP |
| U411B | 3 | 9 | 15 | 1 | 8 | 8-DIP |
| U413B | 3 | 9 | 16 | 1 | 8 | 8-DIP |
| U413B-PP | 3 | 9 | 16 | 1 | 8 | 8-SO |
| U420B | 3 | 9 | 16 | 1 | 8 | 8-DIP |



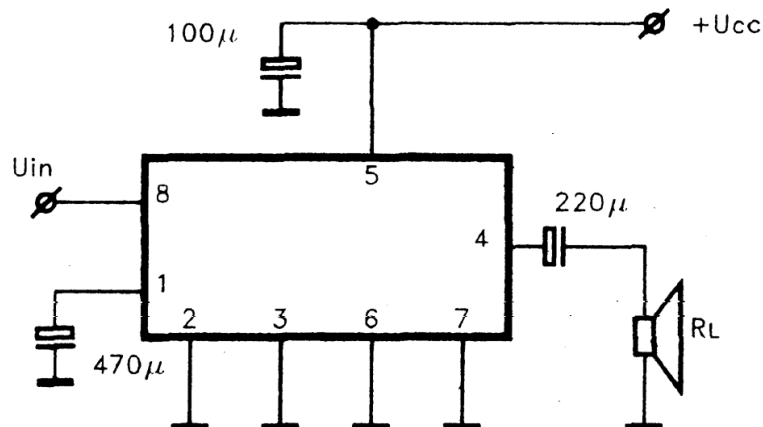
| Tip | UCC min V | UCC nom V | UCC max V | Pout W | RL Ω | Case |
|-------|--------------|--------------|--------------|-----------|----------------|-------|
| U821B | 3 | 9 | 16 | 1 | 8 | 8-DIP |



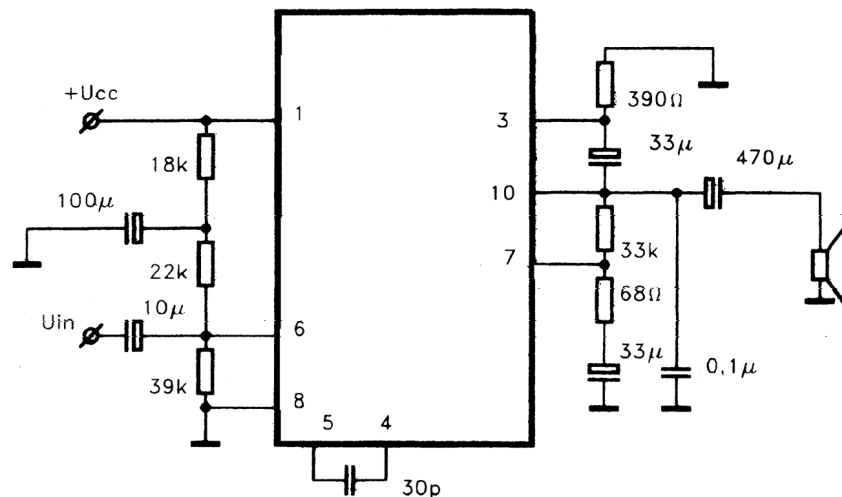
| Tip | UCC min V | UCC nom V | UCC max V | Pout W | RL Ω | Case |
|---------------|--------------|--------------|--------------|-----------|----------------|-------|
| U2822B | 1,8 | 4,5 | 10 | 2x0,7 | 8 | 8-DIP |
| U2823B | 1,8 | 4,5 | 10 | 2x0,7 | 8 | 8-DIP |



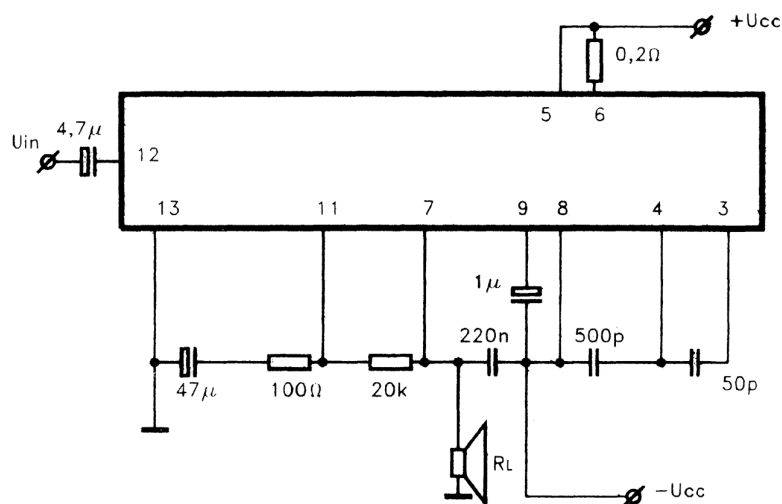
| Tip | UCC min V | UCC nom V | UCC max V | Pout W | RL Ω | Case |
|-----------------|--------------|--------------|--------------|-----------|----------------|-------|
| ULN2283B | 3 | 9 | 15 | 1,2 | 8 | 8-DIP |
| ULN3705M | 1,8 | 6 | 9 | 0,6 | 32 | 8-DIP |



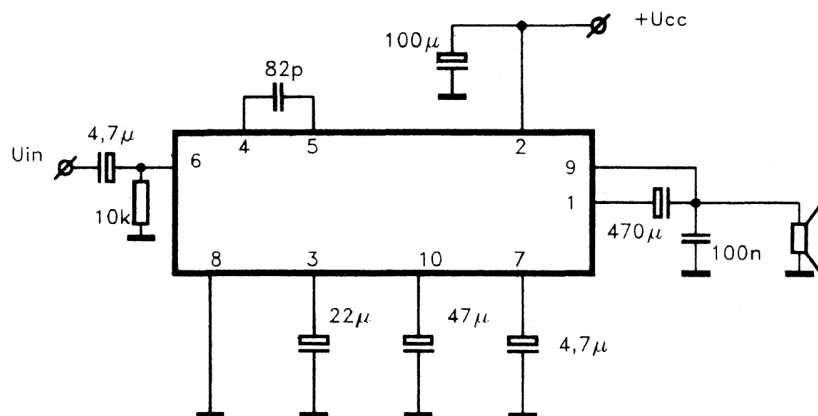
| Tip | UCC min V | UCC nom V | UCC max V | Pout W | RL Ω | Case |
|-------------|--------------|--------------|--------------|-----------|----------------|--------|
| μ PC563 | 9 | 13,2 | 17 | 5,2 | 4 | 10-SIL |



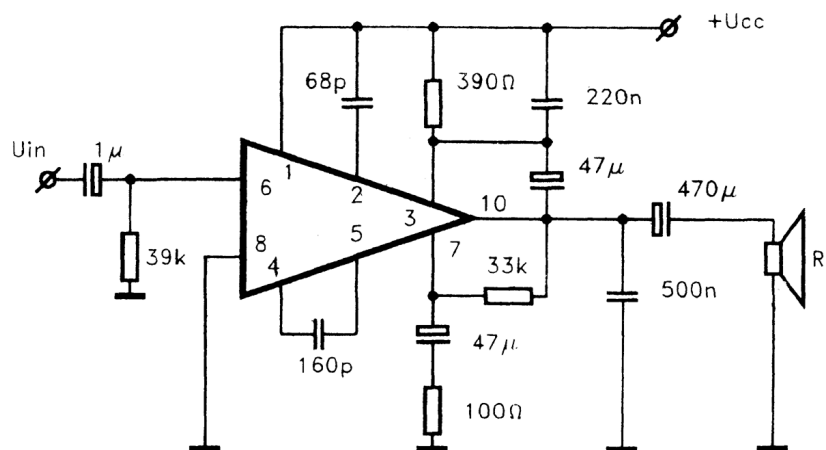
| Tip | UCC min V | UCC nom V | UCC max V | Pout W | RL Ω | Case |
|--------------|--------------|--------------|--------------|-----------|----------------|--------|
| μ PC571C | | ± 12 | | 6,5 | 8 | 14-DIP |



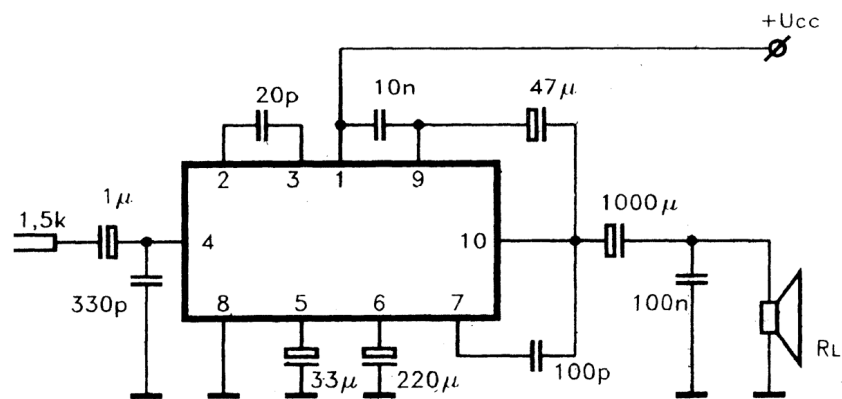
| Tip | UCC min V | UCC nom V | UCC max V | Pout W | RL Ω | Case |
|--------------|--------------|--------------|--------------|-----------|----------------|--------|
| μ PC576H | 12 | 18 | 27 | 3,5 | 8 | 10-SIL |



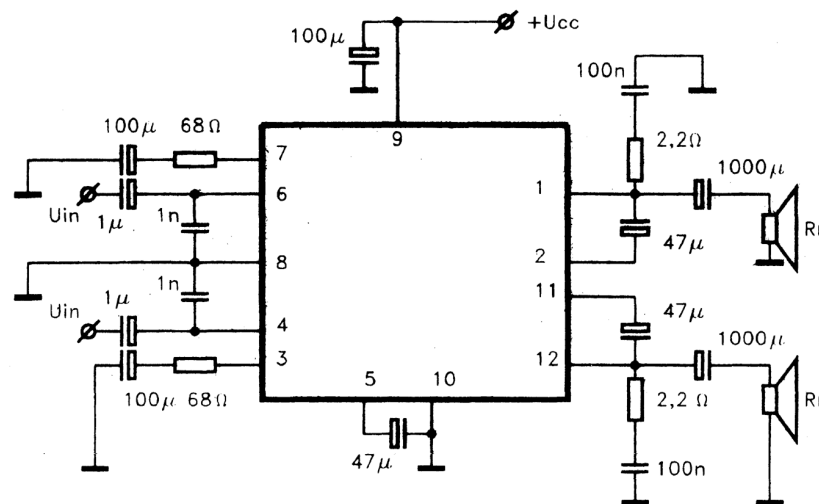
| Tip | UCC min V | UCC nom V | UCC max V | Pout W | RL Ω | Case |
|-----------------|--------------|--------------|--------------|-----------|----------------|--------|
| μ PC1020(H) | 9 | 13,2 | 17 | 5,2 | 4 | 10-SIL |



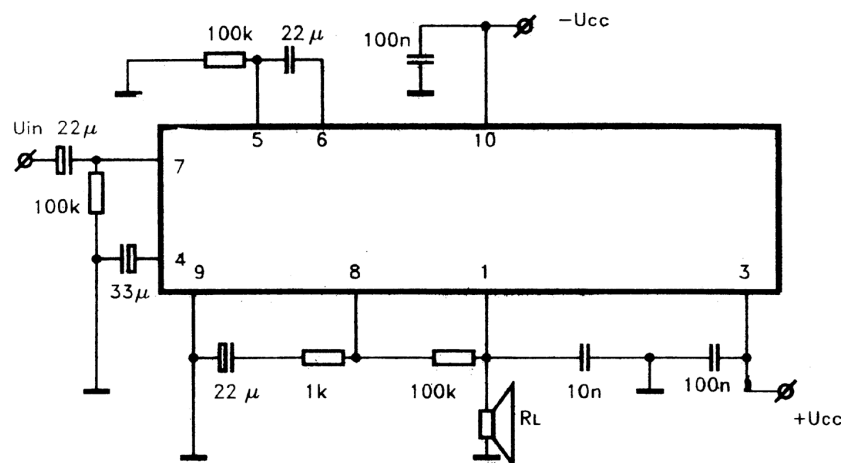
| Tip | UCC min V | UCC nom V | UCC max V | Pout W | RL Ω | Case |
|---------------|--------------|--------------|--------------|-----------|----------------|--------|
| μ PC1030H | 9 | 13,2 | 17 | 5,8 | 4 | 10-SIL |
| μ PC1155H | 9 | 13,2 | 17 | 5,8 | 4 | 10-SIL |



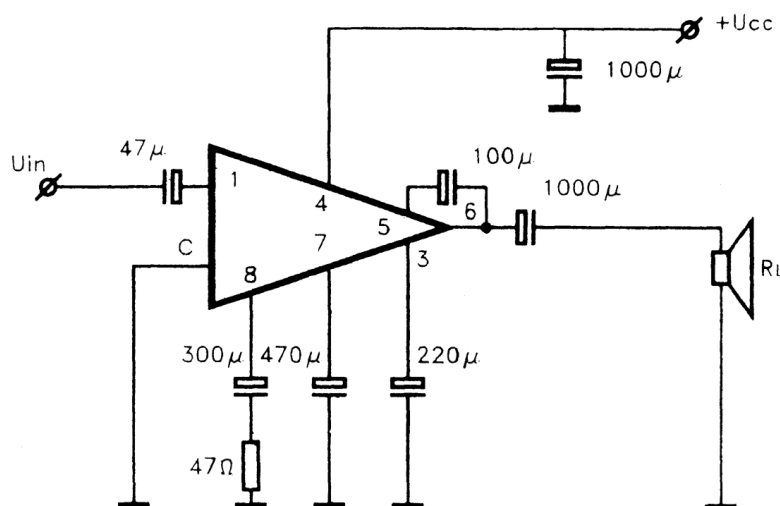
| Tip | UCC min V | UCC nom V | UCC max V | Pout W | RL Ω | Case |
|---------------|--------------|--------------|--------------|-----------|----------------|--------|
| μ PC1177H | 4,5 | 6 | 9 | 2x3,5 | 4 | 10-SIL |



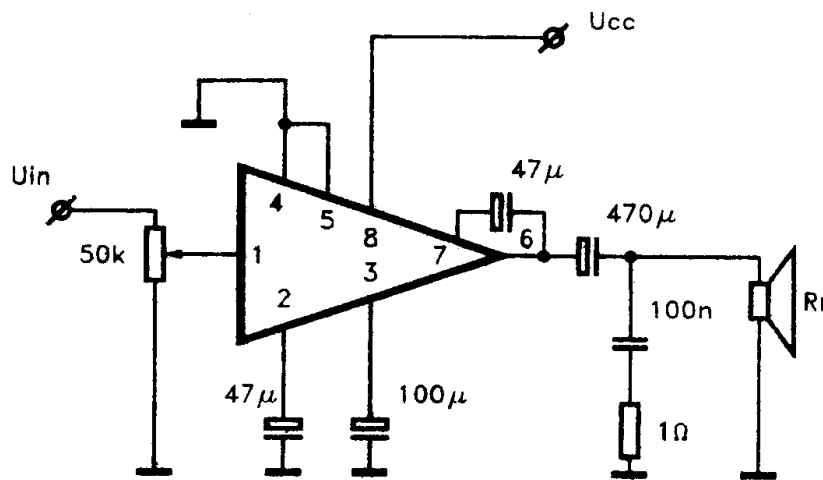
| Tip | UCC min V | UCC nom V | UCC max V | Pout W | RL Ω | Case |
|---------------|--------------|--------------|--------------|-----------|----------------|---------|
| μ PC1188H | | ± 22 | ± 30 | 18 | 8 | 10-SILP |



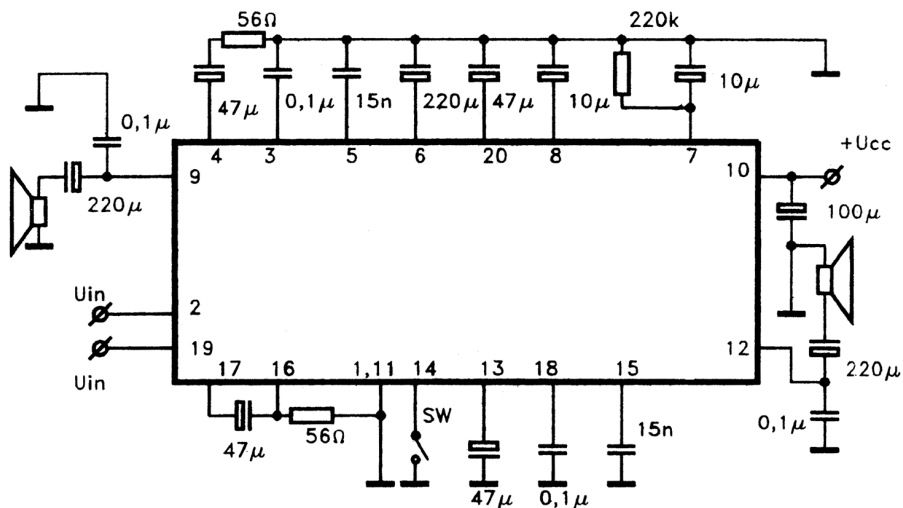
| Tip | UCC min V | UCC nom V | UCC max V | Pout W | RL Ω | Case |
|-----------------|--------------|--------------|--------------|-----------|----------------|---------|
| μ PC1212(C) | 4 | 6 | 9 | 1 | 4 | 8-DIP+g |



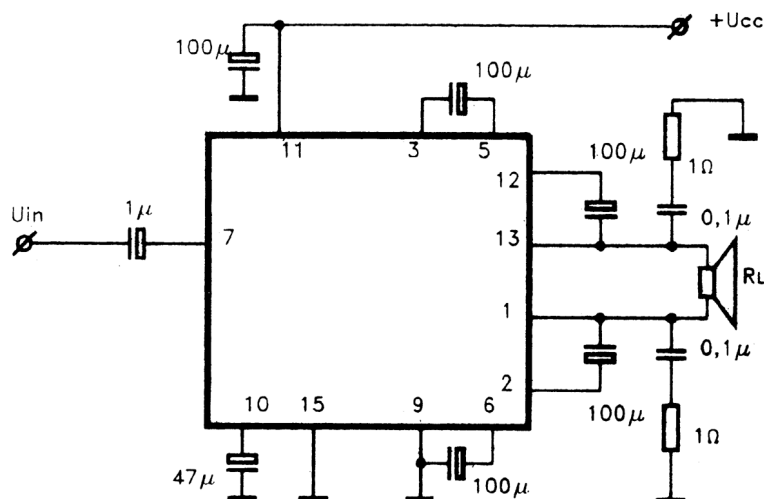
| Tip | UCC min V | UCC nom V | UCC max V | Pout W | RL Ω | Case |
|----------|--------------|--------------|--------------|-----------|---------|-------|
| μPC1241H | 9 | 13,2 | 25 | 9,2 | 2 | 8-SIL |
| μPC1242H | 9 | 13,2 | 25 | 9,2 | 2 | 8-SIL |



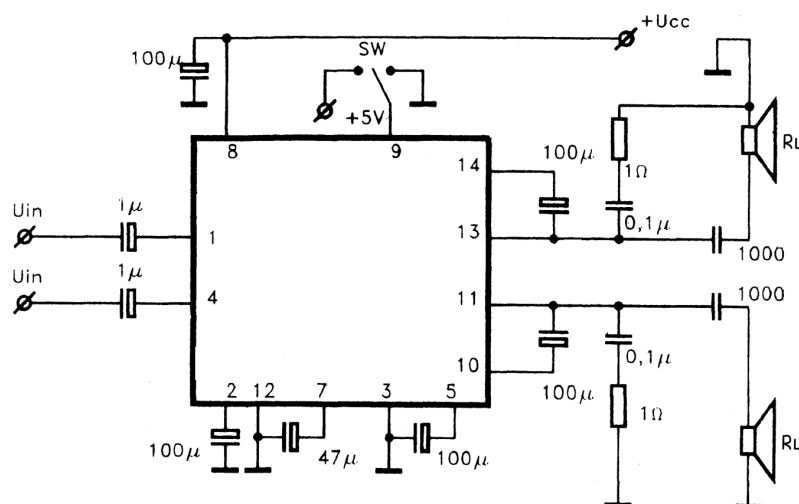
| Tip | UCC nom V | UCC max V | Icco mA | Pout W | RL Ω | Case |
|----------|--------------|--------------|------------|-----------|---------|---------|
| μPC1260G | 1,8 | 3 | 4,5 | 2X0,04 | 32 | 20-MDIP |



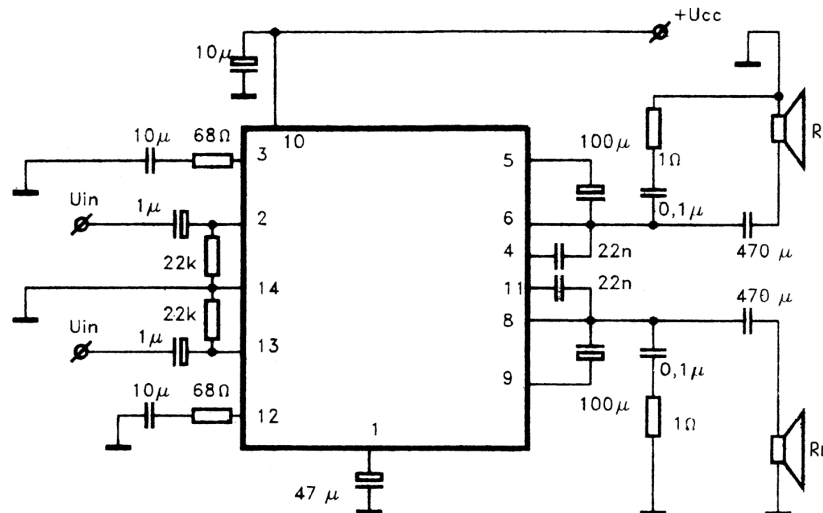
| Tip | UCC min V | UCC nom V | UCC max V | Pout W | RL Ω | Case |
|---------------|--------------|--------------|--------------|-----------|----------------|--------|
| μ PC1274V | 9 | 13 | 25 | 20 | 4 | 15-SQL |



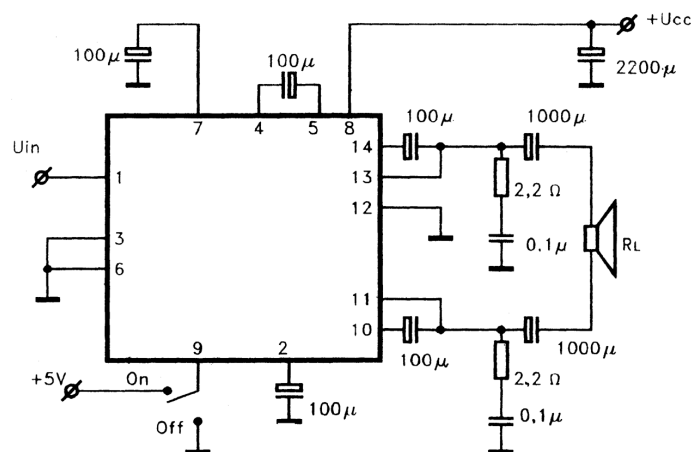
| Tip | UCC min V | UCC nom V | UCC max V | Pout W | RL Ω | Case |
|---------------|--------------|--------------|--------------|-----------|----------------|--------|
| μ PC1310V | 9 | 13 | 16 | 2x5,8 | 4 | 14-SIL |



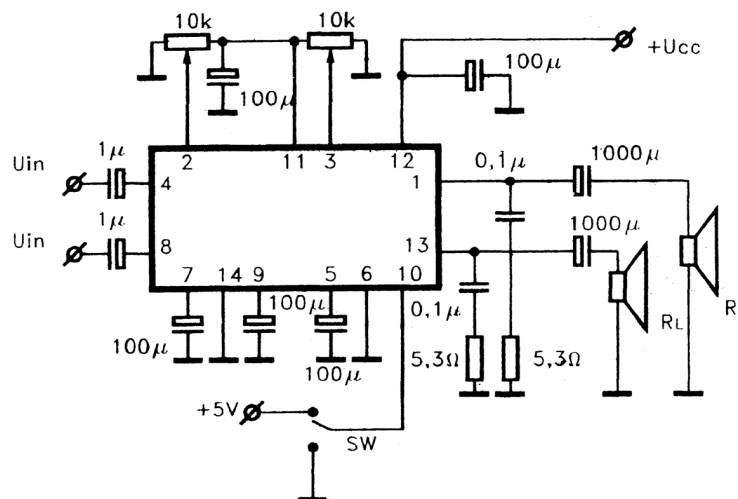
| Tip | UCC min V | UCC nom V | UCC max V | Pout W | RL Ω | Case |
|--------------|--------------|--------------|--------------|-----------|----------------|--------|
| μ PC1316 | 3 | 6 | 9 | 2x0,5 | 4 | 14-DIP |



| Tip | UCC min V | UCC nom V | UCC max V | Pout W | RL Ω | Case |
|----------------|--------------|--------------|--------------|-----------|----------------|--------|
| μ PC1318AV | 9 | 13,2 | 16 | 20 | 4 | 14-SQL |



| Tip | UCC min V | UCC nom V | UCC max V | Pout W | RL Ω | Case |
|---------------|--------------|--------------|--------------|-----------|----------------|---------|
| μ PC1331V | 5 | 9 | 12 | 2x2,2 | 8 | 14-SILP |
| μ PC1332V | 7 | 12 | 16 | 2x4 | 8 | 14-SILP |



| Tip | UCC min V | UCC nom V | UCC max V | Pout W | RL Ω | Case |
|---------------|--------------|--------------|--------------|-----------|----------------|---------|
| μ PC2500H | 9 | 13,2 | 16 | 24 | 4 | 12-SILP |

