

VIDEODECK:GOL - 001

 <p><b>VP-0406</b> FF/REW.IDLER 431015A</p>	 <p><b>VP-0431</b> CAM GEAR</p>	 <p><b>VP-1147</b> LOADING MOTOR</p>	 <p><b>VP-1519</b> SUPPLY ROLLER 434042B</p>
 <p><b>VP-0419</b> PINCH ROLLER 431022B</p>	 <p><b>VP-0432</b> DRIVING GEAR</p>	 <p><b>VP-0445</b> REEL MOTOR</p>	<p><b>VS-0950</b> SET REMENA</p> <p>šifra:            dimenzije:</p> <p><b>REMT-101/1</b> 101.00 x 0.63 x 8.00</p> <p><b>REMK-107/1</b> 107.00 x 2.00 x 2.00</p> <p><b>REMK-035/4</b> 35.50 x 1.80 x 1.80</p> <p><b>REMK-037/1</b> 37.50 x 1.00 x 1.00</p> <p><b>REMK-056/1</b> 56.50 x 2.00 x 2.00</p> <p><b>REMK-060</b> 60.00 x 1.20 x 1.20</p>
 <p><b>VP-0416</b> PLAY IDLER</p>	 <p><b>VP-0463</b> GEAR WHEEL</p>	 <p><b>VP-1131</b> REL MOTOR PULLEY</p>	
 <p><b>VP-1135</b> TENSION BAND 328017B</p>	 <p><b>VP-0430</b> INTERMEDIATE GEAR</p>	 <p><b>VP-1106</b> SENSOR/LED 653020A</p>	

VIDEODECK: GOL - 005



**VP-1111**  
IDLER ASSY UNIT 321149B



**VP-1523**  
CAM GEAR 435042B



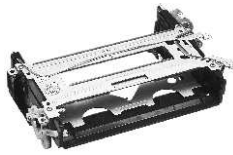
**VP-1505**  
CONNECT PLATE ASSY256217A



**VP-1520**  
GUIDE ROLLER ASSY 434025B



**VP-1507**  
IDLER HOLDER ARM 386075A



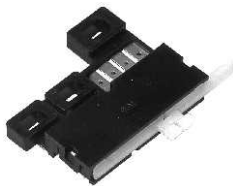
**VP-1502**  
CASSETTE HOUSE 219004A



**VP-1501**  
ERASE HEAD 523027A



**VP-1511**  
LOADING MOTOR 321630A



**VP-1540**  
MODE SELECT SWITCH556055B



**VP-1147**  
CASS. LOADING MOTOR



**VP-1557**  
GEAR ARM CASS. (L) 435053A



**VP-1524**  
PINION GEAR 435047A



**VP-1521**  
PINCH ROLLER 434037C



**VP-1558**  
CENTER PULLEY 432021A



**VP-1525**  
GEAR ARM CASS. (R) 435054A



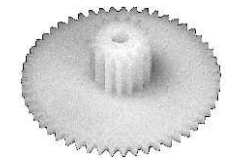
**VP-1106**  
SENSOR/LED 653020A



**VP-1135**  
TENSION BAND 328017B



**VP-1112**  
CLUTCH GEAR ASSY 435038A



**VP-1522**  
GEAR (B) 435041A



**VP-1516**  
SLANT POST ASSY (L) 427017A

**VIDEODECK: GOL - 005**



**VP-1515**  
 SLANT POST (R) 427016A



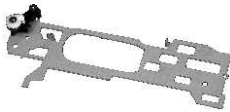
**VP-0428**  
 SUB LOADING GEAR 435062A



**VP-1518**  
 WORM WHEEL 433006A

**VS-0670**  
 SET REMENA

šifra: dimenzije:  
**REMK-048/1** 48.50 x 1.50 x 1.50  
**REMK-081/1** 81.00 x 2.00 x 2.00



**VP-1506**  
 SLIDE PLATE ASSY 256218B

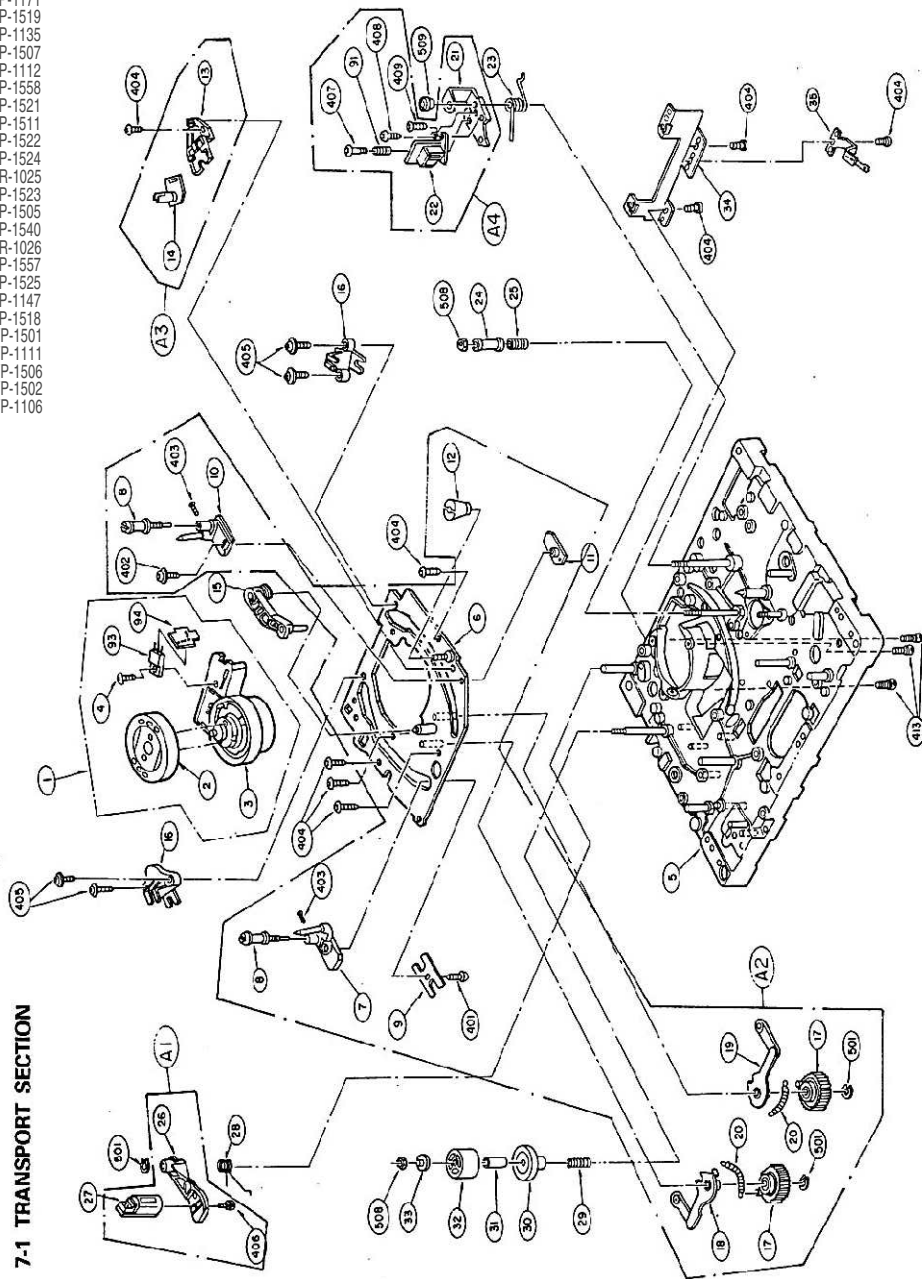


**VP-1519**  
 SUPPLY ROLLER 43402B

**VR-1026**  
 VIDEO REMEN

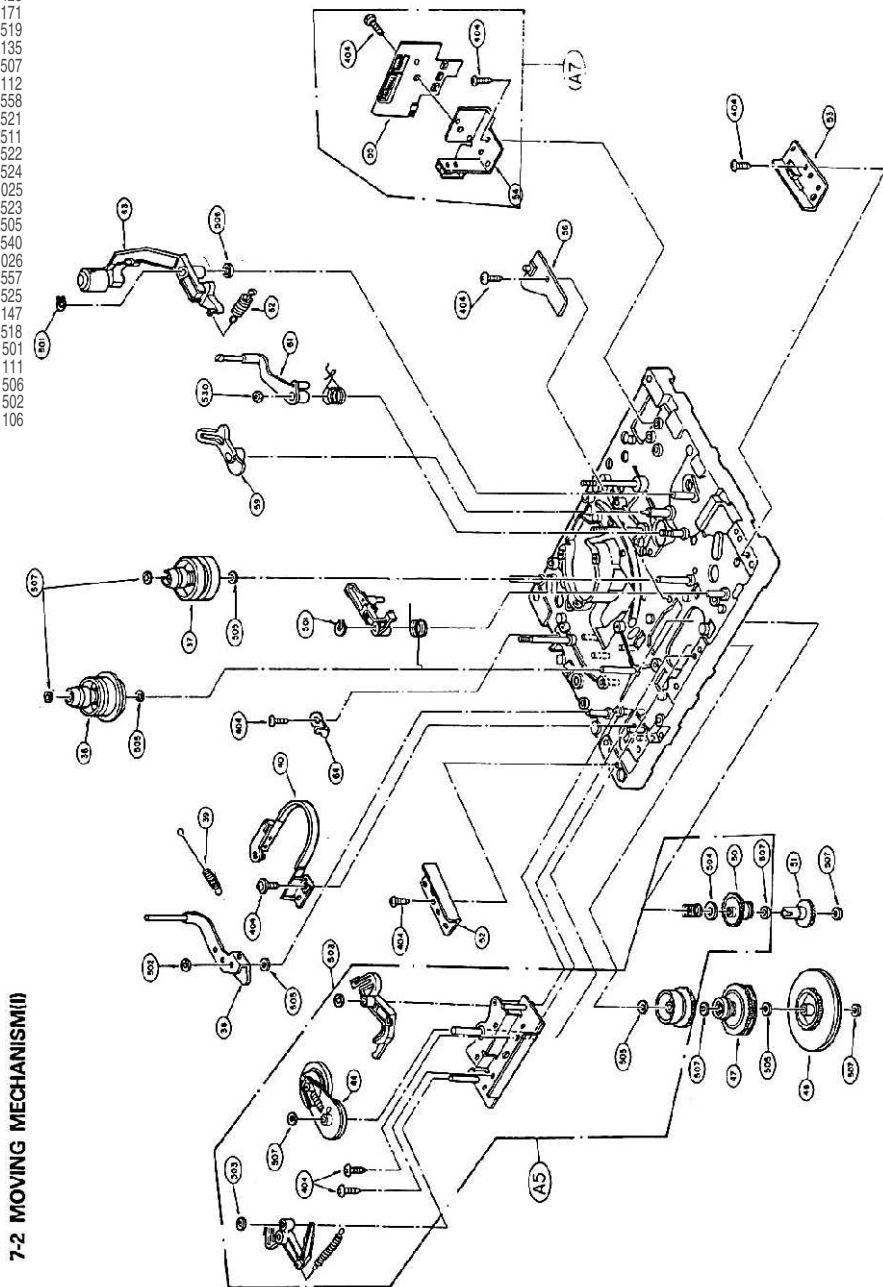
**VR-1025**  
 VIDEO REMEN

- 7 VP-1516
- 8 VP-1520
- 10 VP-1515
- 17 VP-0428
- 96 VP-1171
- 32 VP-1519
- 40 VP-1135
- 44 VP-1507
- 47 VP-1112
- 48 VP-1558
- 63 VP-1521
- 65 VP-1511
- 73 VP-1522
- 75 VP-1524
- 76 VR-1025
- 77 VP-1523
- 79 VP-1505
- 89 VP-1540
- 90 VR-1026
- 109 VP-1557
- 115 VP-1525
- 127 VP-1147
- 128 VP-1518
- A01 VP-1501
- A05 VP-1111
- A10 VP-1506
- A12 VP-1502
- 14A VP-1106



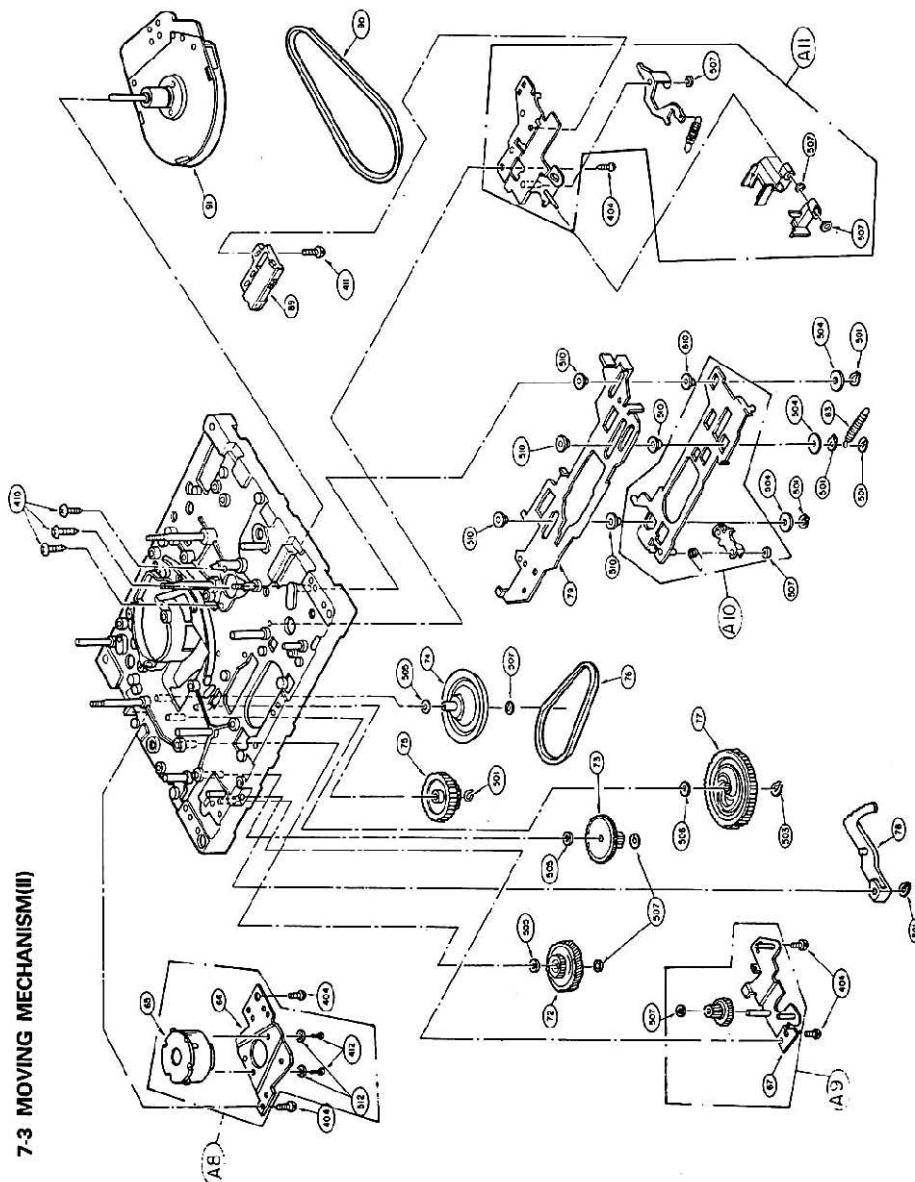


- 7 VP-1516
- 8 VP-1520
- 10 VP-1515
- 17 VP-0428
- 96 VP-1171
- 32 VP-1519
- 40 VP-1135
- 44 VP-1507
- 47 VP-1112
- 48 VP-1558
- 63 VP-1521
- 65 VP-1511
- 73 VP-1522
- 75 VP-1524
- 76 VR-1025
- 77 VP-1523
- 79 VP-1505
- 89 VP-1540
- 90 VR-1026
- 109 VP-1557
- 115 VP-1525
- 127 VP-1147
- 128 VP-1518
- A01 VP-1501
- A05 VP-1111
- A10 VP-1506
- A12 VP-1502
- 14A VP-1106

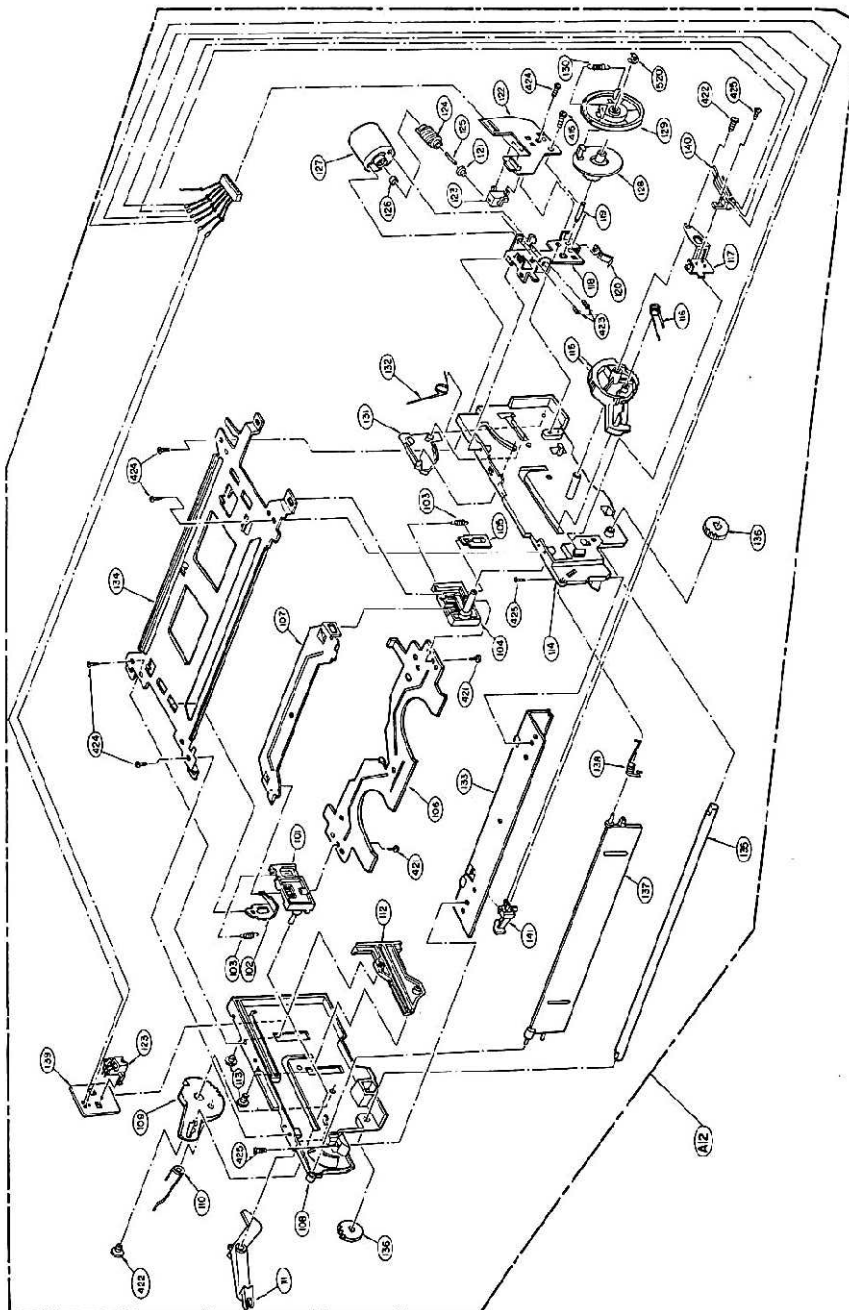


7-2 MOVING MECHANISM

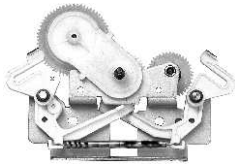
8	VP-1520	65	VP-1511	127	VP-1147
10	VP-1515	73	VP-1522	128	VP-1518
17	VP-0428	75	VP-1524	A01	VP-1501
32	VP-1519	76	VR-1025	A05	VP-1111
40	VP-1135	77	VP-1523	A10	VP-1506
44	VP-1507	79	VP-1505	A12	VP-1502
47	VP-1112	89	VP-1540	14A	VP-1106
48	VP-1558	90	VR-1026		
		109	VP-1557		



- 7 VP-1516
- 8 VP-1520
- 10 VP-1515
- 17 VP-0428
- 96 VP-1171
- 32 VP-1519
- 40 VP-1135
- 44 VP-1507
- 47 VP-1112
- 48 VP-1558
- 63 VP-1521
- 65 VP-1511
- 73 VP-1522
- 75 VP-1524
- 76 VR-1025
- 77 VP-1523
- 79 VP-1505
- 89 VP-1540
- 90 VR-1026
- 109 VP-1557
- 115 VP-1525
- 127 VP-1147
- 128 VP-1518
- A01 VP-1501
- A05 VP-1111
- A10 VP-1506
- A12 VP-1502
- 14A VP-1106



**VIDEODECK: GOL - 006**



**VP-1545**  
 CLUTCH ASSY (CPL) 321256A



**VP-1135**  
 TENSION BAND 328017B



**VP-1112**  
 CLUTCH GEAR 435038A

**VS-0670**  
 SET REMENA

šifra: dimenzije:  
**REMK-048/1** 48.50 x 1.50 x 1.50  
**REMK-081/1** 81.00 x 2.00 x 2.00



**VP-1544**  
 GEAR IDLER 386139A



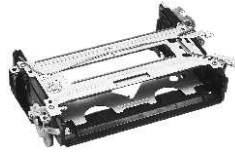
**VP-0429**  
 CAM GEAR



**VP-0428**  
 LOADING GEAR



**VP-1540**  
 MODE SWITCH 556055B



**VP-1502**  
 CASSETTE HOUSE 219011A



**VP-1106**  
 SENSOR/LED



**VP-1541/1**  
 PINCH ROLLER UNIT 386121B



**VP-1147**  
 CASS.LOADING MOTOR



**VP-1518**  
 WORM WHEEL 433015A

VIDEODECK: GOL - 009



**VP-1130**  
CLUTCH ASSY 321218A



**VP-1542**  
TENSION BAND 328033B



**VP-1576**  
LOADING BL.COMPLETE 321223A



**VP-1503**  
SLANT BASE (L) 225118A



**VP-1533**  
IDLER ASSY 431021A



**VP-1508**  
CAM GEAR 374003A



**VP-1147**  
LOADING MOTOR



**VP-1504**  
SLANT BASE (R) 225120A



**VP-1529**  
MODE SWITCH 556085A



**VP-1566**  
GEAR ARM ASSY (R) 435132A



**VP-1565**  
RIGHT ASSY BRACKET 321232A



**VP-1517**  
SLNT POST ASSY R COMPL427021I



**VP-1541/1**  
PINCH ROLLER UNIT 434037D



**VP-1567**  
GEAR CUSHION ASSY 435169A



**VP-1106**  
SENSOR/LED 653020A

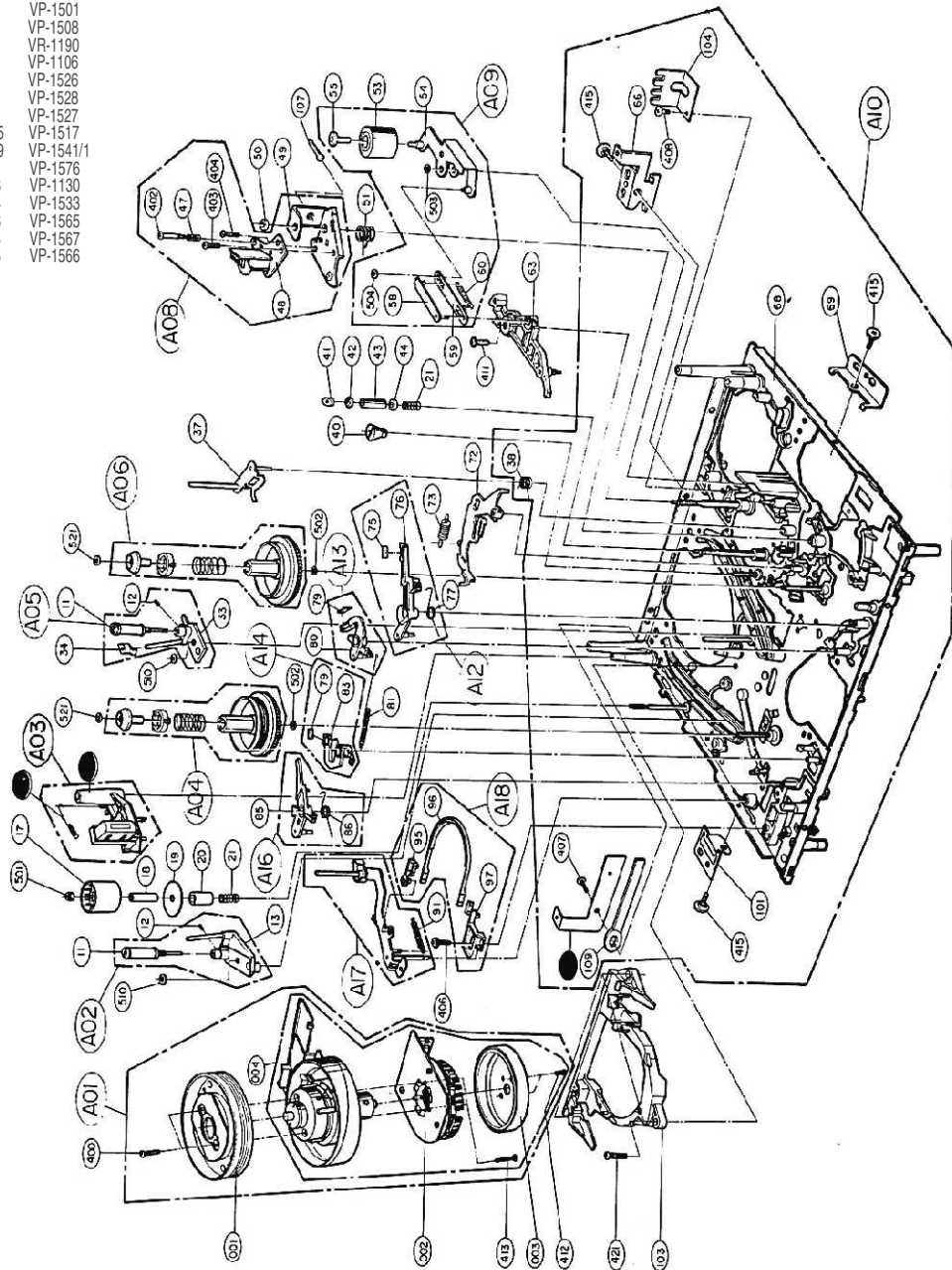
**VR-1190**  
VIDEO REMEN

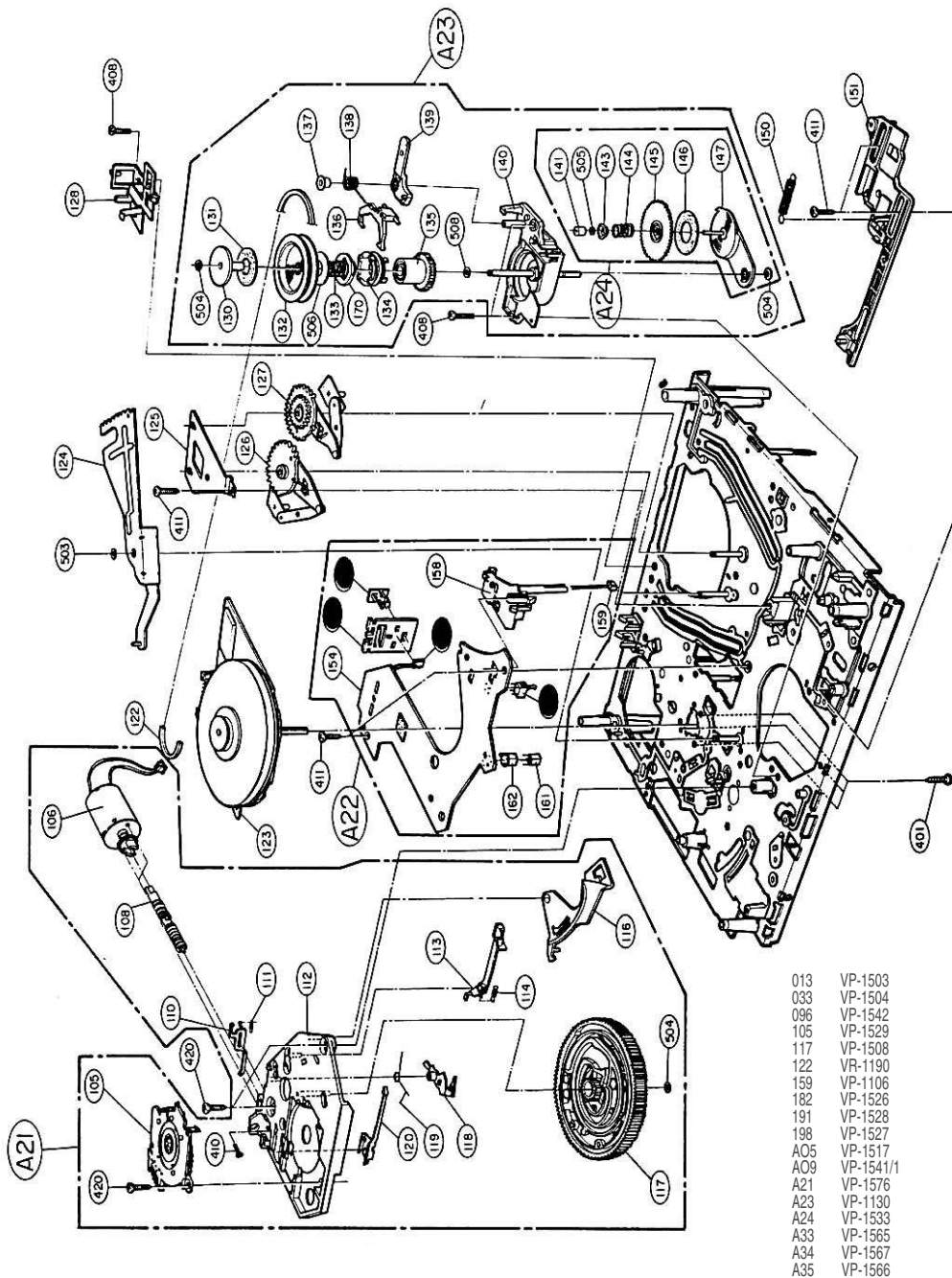
**VP-1526**  
GEAR ARM (L) 435129A

**VP-1527**  
GEAR ARM (R) 435134A

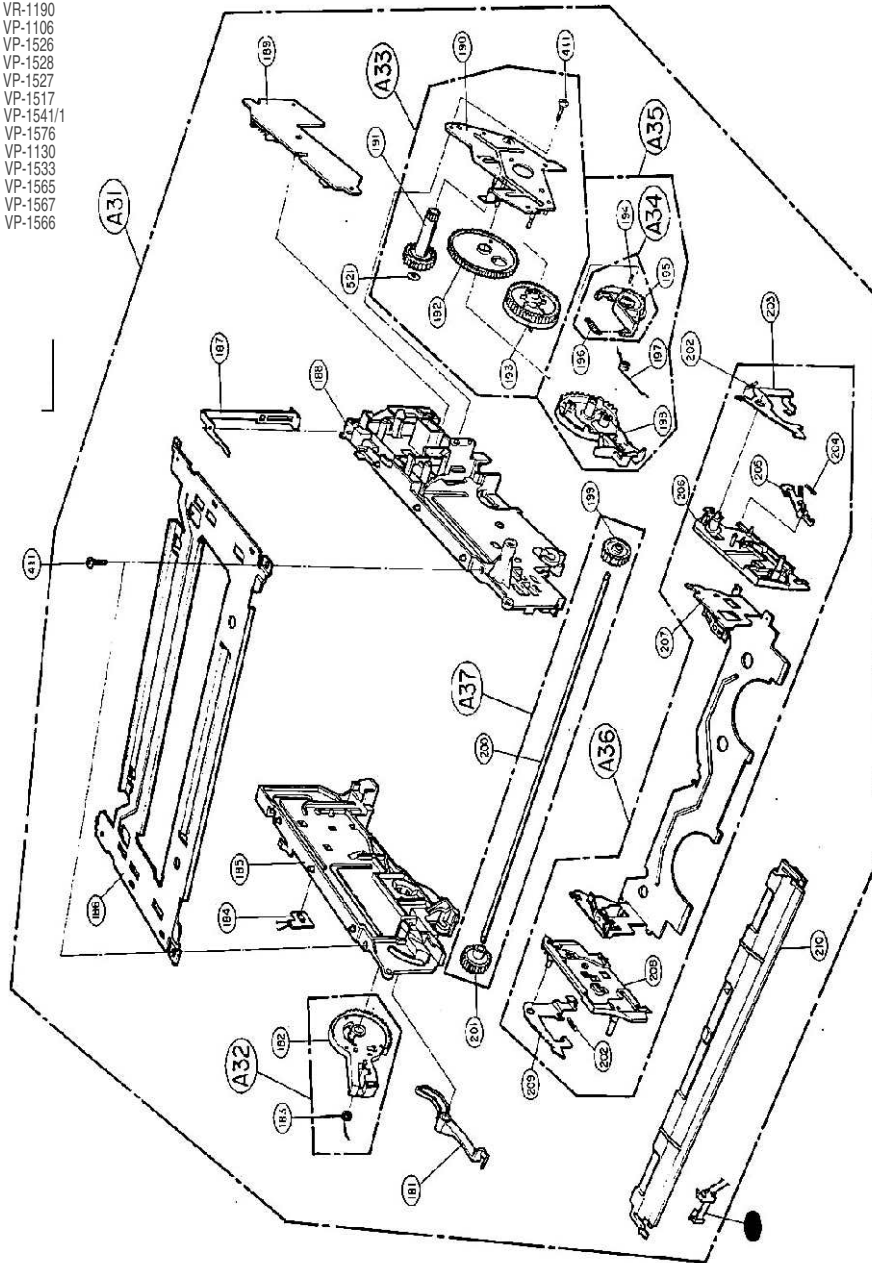
**VP-1528**  
GEAR WORM 435136A

- 013 VP-1503
- 033 VP-1504
- 096 VP-1542
- 105 VP-1529
- A01 VP-1501
- 117 VP-1508
- 122 VR-1190
- 159 VP-1106
- 182 VP-1526
- 191 VP-1528
- 198 VP-1527
- A05 VP-1517
- A09 VP-1541/1
- A21 VP-1576
- A23 VP-1130
- A24 VP-1533
- A33 VP-1565
- A34 VP-1567
- A35 VP-1566





- 013 VP-1503
- 033 VP-1504
- 096 VP-1542
- 105 VP-1529
- 117 VP-1508
- 122 VP-1190
- 159 VP-1106
- 182 VP-1526
- 191 VP-1528
- 198 VP-1527
- A05 VP-1517
- A09 VP-1541/1
- A21 VP-1576
- A23 VP-1130
- A24 VP-1533
- A33 VP-1565
- A34 VP-1567
- A35 VP-1566





**VIDEODECK: GOL - 016**

 <p><b>VP-1561</b> MODE SWITCH 556115A</p>	 <p><b>VP-1564</b> TENSION BAND 324618A</p>	 <p><b>VP-1562</b> CAM GEAR 435210A</p>	 <p><b>VP-1147</b> LOADING MOTOR</p>
 <p><b>VP-1563</b> PINCH ROLLER 434175A</p>	 <p><b>VP-1560</b> BRACKET CENTER 321369A</p>	 <p><b>VP-1579</b> CENTER PULLEY 432036A</p>	 <p><b>VP-1106</b> SENSOR/LED 653020A</p> <p><b>VR-1022</b> VIDEO REMEN</p>

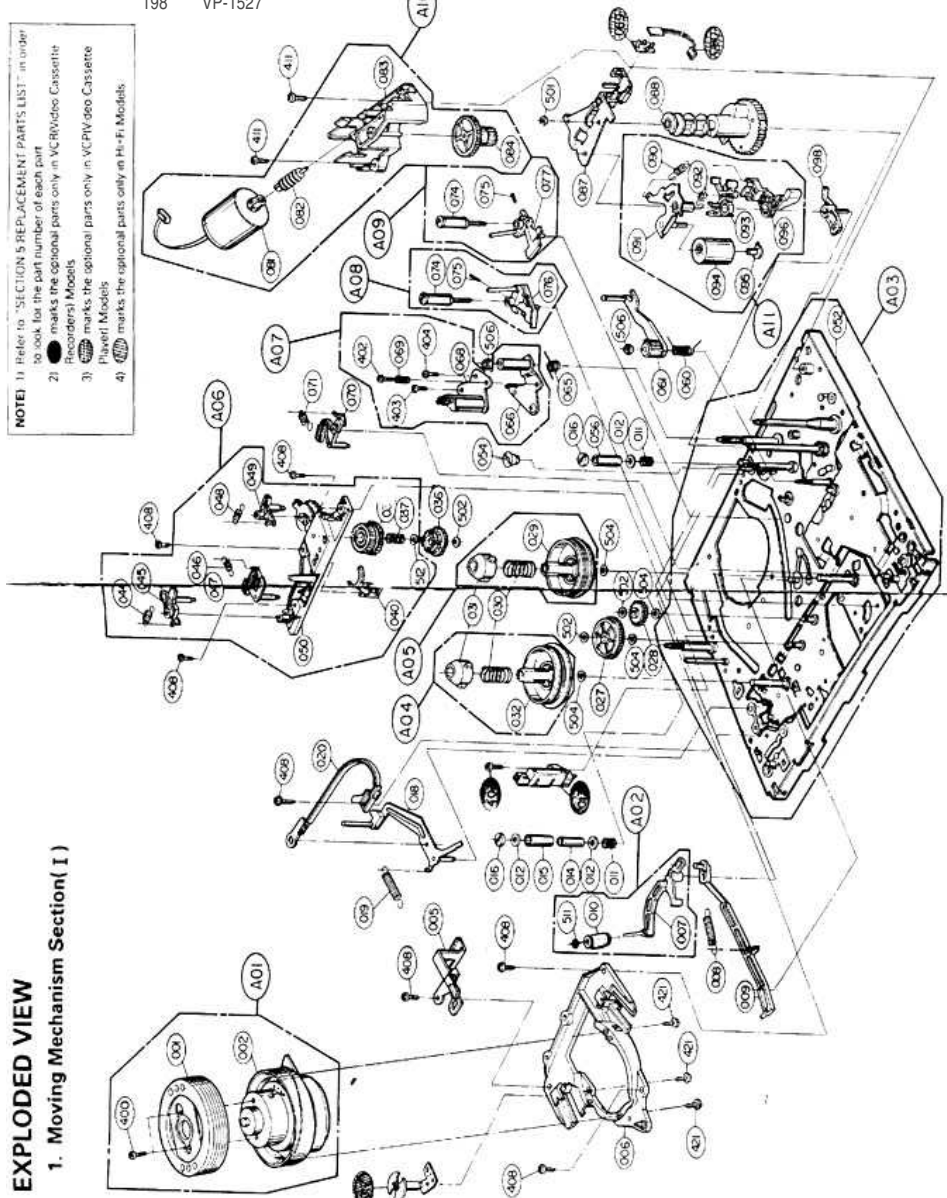
**VIDEODECK: GOL - 017**

 <p><b>VP-1549</b> CLUTCH 337005A</p>	 <p><b>VP-1548/1</b> PINCH ROLLER UNIT 333209C</p>	 <p><b>VP-1534</b> CAPSTAN BRAKE + SPRING 338078A</p>	 <p><b>VP-1570</b> PINCH CAM KIT 435450A</p>
 <p><b>VP-1555</b> MODE SWITCH 556133A</p>	 <p><b>VP-1552</b> TENSION BAND 328052B</p>	 <p><b>VP-1554</b> CASSETTE HOUSE 219017D</p>	 <p><b>VP-3511</b> TAKE-UP ARM ASSY 386279A</p>
 <p><b>VP-1548</b> PINCH ROLLER 434181A</p> <p><b>VP-3506</b> CLEANER ROLLER 386296A</p>	 <p><b>VP-1551</b> CAM GEAR 374005A</p> <p><b>VP-3504</b> WORM WHEEL 433023A</p>	 <p><b>VP-1550</b> F/R BRACKET 321397A</p> <p>REMEN šifra: dimenzije: <b>REMK-071/1</b> 71.50 x 2.00</p>	

VIDEODECK: GOL - 017

20	VP-1522	98	VP-3518	A02	VP-3506
61	VP-3511	110	VP-1551	A06	VP-1550
70	VP-3512	115	REMK-071-01	A11	VP-1548/1
88	VP-1570	130	VP-1549	A22	VP-1534
94	VP-1548	134	VP-1555	A30	VP-1554
		198	VP-1527		

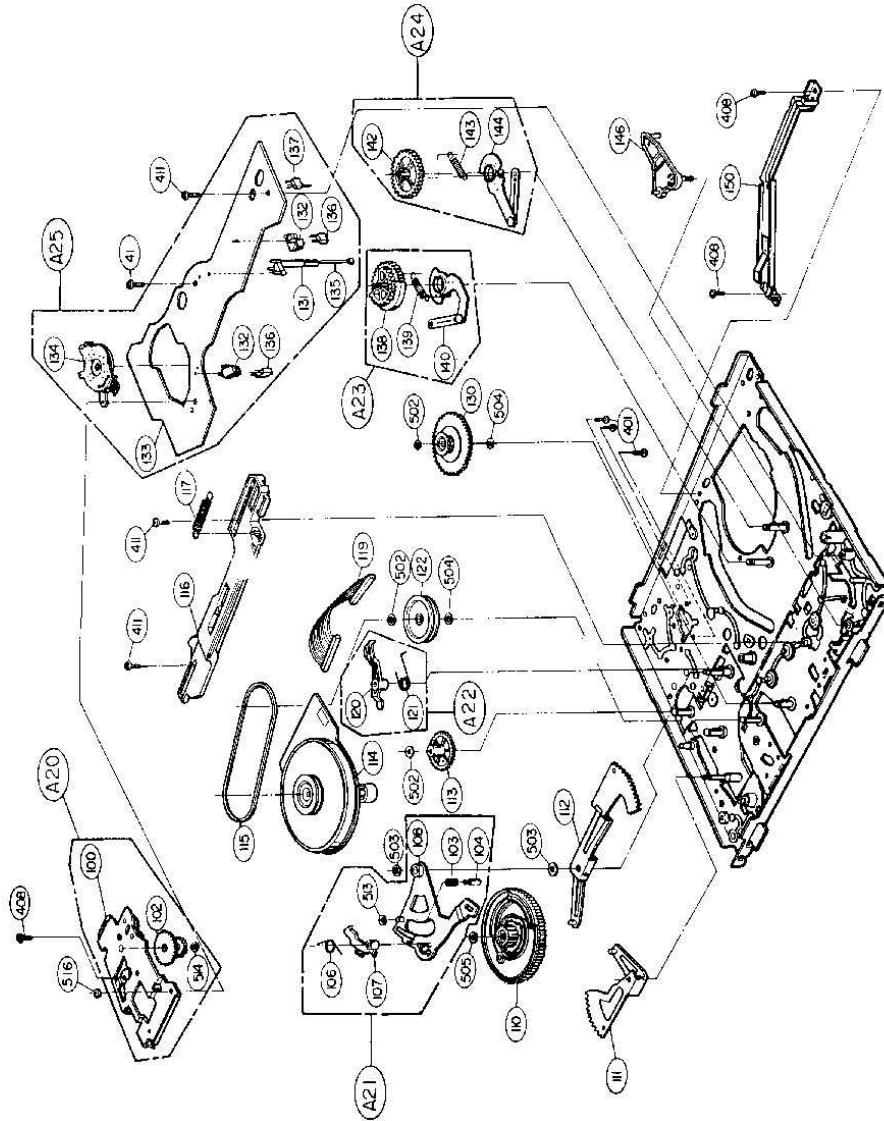
**NOTE:** 1) Refer to "SECTION 5 REPLACEMENT PARTS LIST" in order to look for the part number of each part  
 2) ● marks the optional parts only in VCR/Video Cassette Recorder(s) Models  
 3) ○ marks the optional parts only in VCR/Video Cassette Player Models  
 4) ○ marks the optional parts only in Hi-Fi Models.



20	VP-1522	98	VP-3518	A02	VP-3506
61	VP-3511	110	VP-1551	A06	VP-1550
70	VP-3512	115	REMK-071-01	A11	VP-1548/1
88	VP-1570	130	VP-1549	A22	VP-1534
94	VP-1548	134	VP-1555	A30	VP-1554

NOTE: 1) Refer to "SECTION 5 REPLACEMENT PARTS LIST" in order to look for the part number of each part.

2. Moving Mechanism Section(II)



**VIDEODECK: GOL - 027**

<b>VP-1594</b> CLEANER ARM UNIT 386394A	<b>VP-1597</b> SUPPLY CLUTCH 337007B	<b>VP-1593</b> CASSETTE HOUSE 219023A
<b>VP-1595</b> IDLER ARM UNIT 386396A	<b>VP-1596</b> TAKE UP CLUTCH 337008A	<b>VP-1592</b> MODE SWITCH 556252B
<b>VP-1516/1</b> PINCH ROLLER UNIT 386401A	<b>VP-1599</b> TENSION BAND 328075A	<b>VP-1598</b> PINCH GEAR 435440A

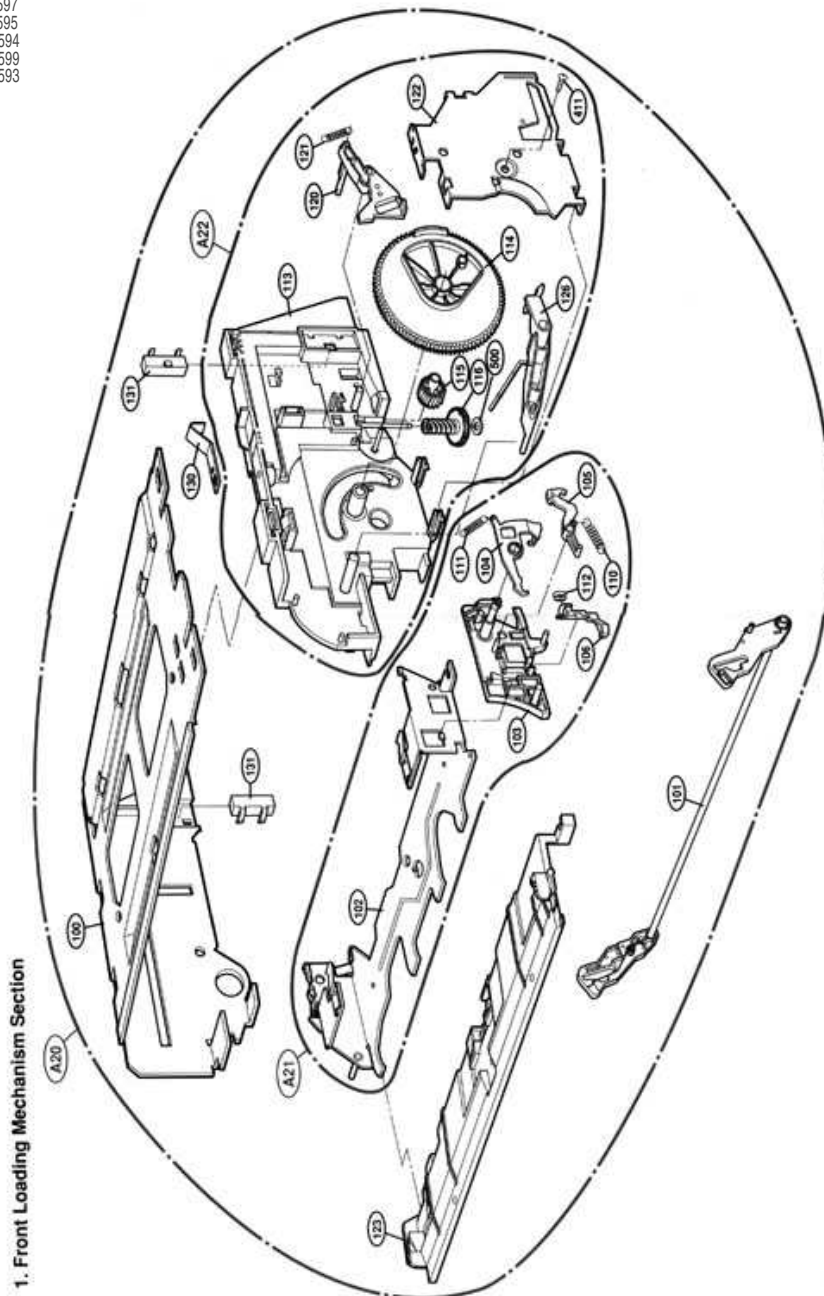
**VIDEODECKS: GRU-001/002/003/004/005**

<p><b>GRU-001</b></p> <p><b>VS-0350</b> SET REMENA</p> <p>šifra: dimenzije: <b>REMT-032</b> 32.50 x 1.35 x 7.00 <b>REMK-066/1</b> 66.00 x 1.20 x 1.20</p> <p><b>GRU-002</b></p> <p><b>VS-0360</b> SET REMENA</p> <p>šifra: dimenzije: <b>REMK-032/3</b> 35.50 x 1.20 x 1.20 <b>REMT-066/1</b> 66.00 x 0.35 x 4.80</p>	<p><b>GRU-003</b></p> <p><b>VS-0350</b> SET REMENA</p> <p>šifra: dimenzije: <b>REMT-032</b> 32.50 x 1.35 x 7.00 <b>REMK-066/1</b> 66.00 x 1.20 x 1.20</p>	<p><b>GRU-004</b></p> <p><b>ACCU-101/1.2</b> ACCU (ACCU-101/1.2) 2702728597</p> <p><b>VS-0800</b> SET REMENA</p> <p>šifra: dimenzije: <b>REMK-120/1</b> 120.00 x 1.70 x 1.70 <b>REMK-014/1</b> 14.00 x 1.50 x 1.50</p>	<p><b>GRU-005</b></p> <p><b>ACCU-101/1.2</b> ACCU (ACCU-101/1.2) 2702728597</p> <p><b>VS-0790</b> SET REMENA</p> <p>šifra: dimenzije: <b>REMK-014/1</b> 14.00 x 1.50 x 1.50 <b>REMK-066/1</b> 66.00 x 1.20 x 1.20</p>
---	---	--	---

**VIDEODECK: HIT - 001**

 <p><b>VP-0108</b> IDLER FF 6413072/6413074</p>	 <p><b>VP-0110</b> PINCH ROLLER 6384251</p>	 <p><b>VP-0101</b> IDLER REWIND 6413144</p>	<p><b>VS-0130</b> SET REMENA</p> <p>šifra: dimenzije: <b>REMK-116/1</b> 116.00 x 1.70 x 1.70 <b>REMK-039/2</b> 39.50 x 1.50 x 1.50 <b>REMK-045/2</b> 45.50 x 2.00 x 2.00 <b>REMK-061/1</b> 61.50 x 1.00 x 1.00 <b>REMK-072/1</b> 72.00 x 1.00 x 1.00 <b>REMT-090/2</b> 90.00 x 0.55 x 6.00 <b>REMT-097/2</b> 97.00 x 0.76 x 6.30</p>
 <p><b>VP-0107</b> IDLER LOADING 6413202</p>	 <p><b>VP-0109</b> IDLER PLAY 6413111</p>	 <p><b>VP-0227</b> LAMP QLP 3104-111 NO PLU</p>	

- 41 VP-1598
- 50 VP-3516/1
- 70 VP-1596
- 71 VP-1597
- 72 VP-1595
- A04 VP-1594
- A13 VP-1599
- A20 VP-1593

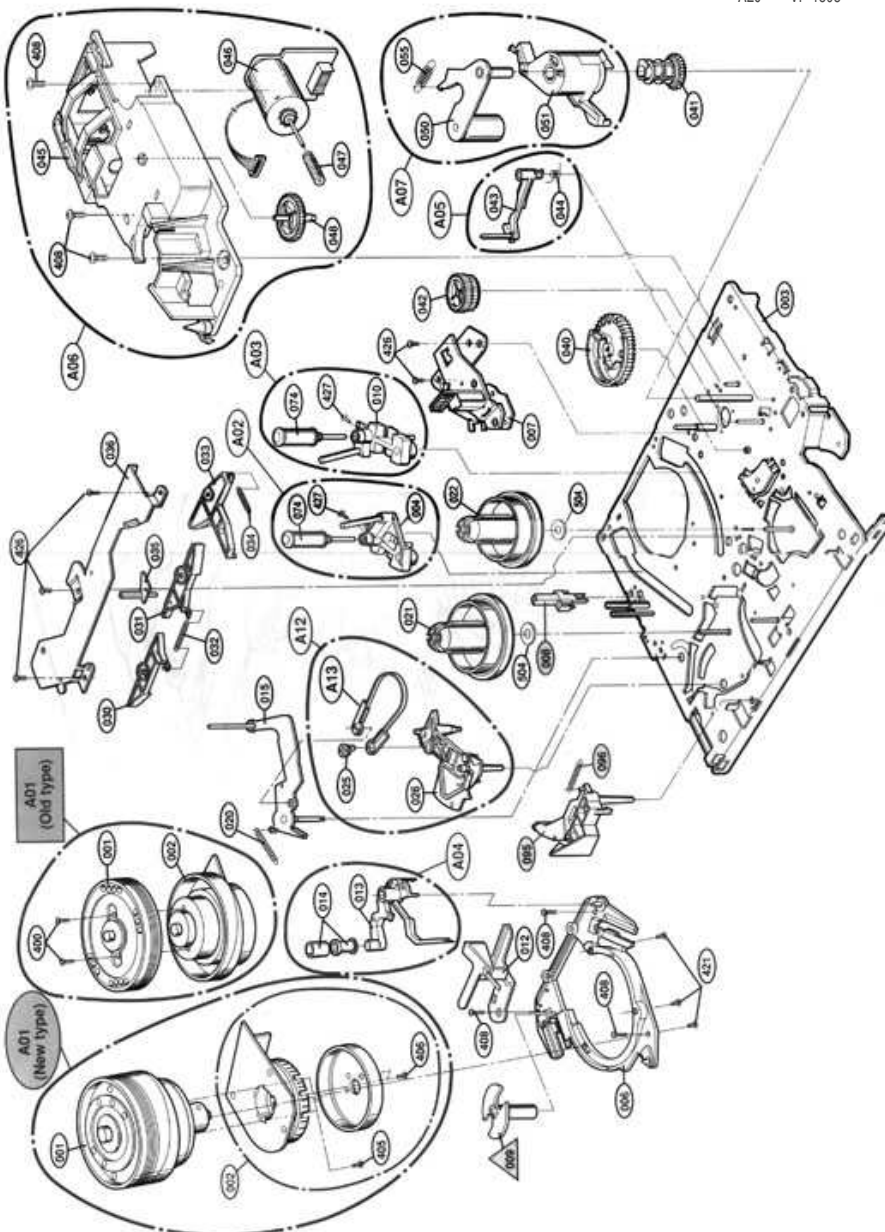


1. Front Loading Mechanism Section

NOTES: 1) marks the optional parts only in VCR (Video Cassette Recorder) Models.  
 2) marks the optional parts only in Hi-Fi Models.  
 3) New Type Drum Assembly. (No two screws and P.C.B on the Drum.)  
 4) Old type Drum Assembly. (there are two screws and P.C.B on the Drum.)

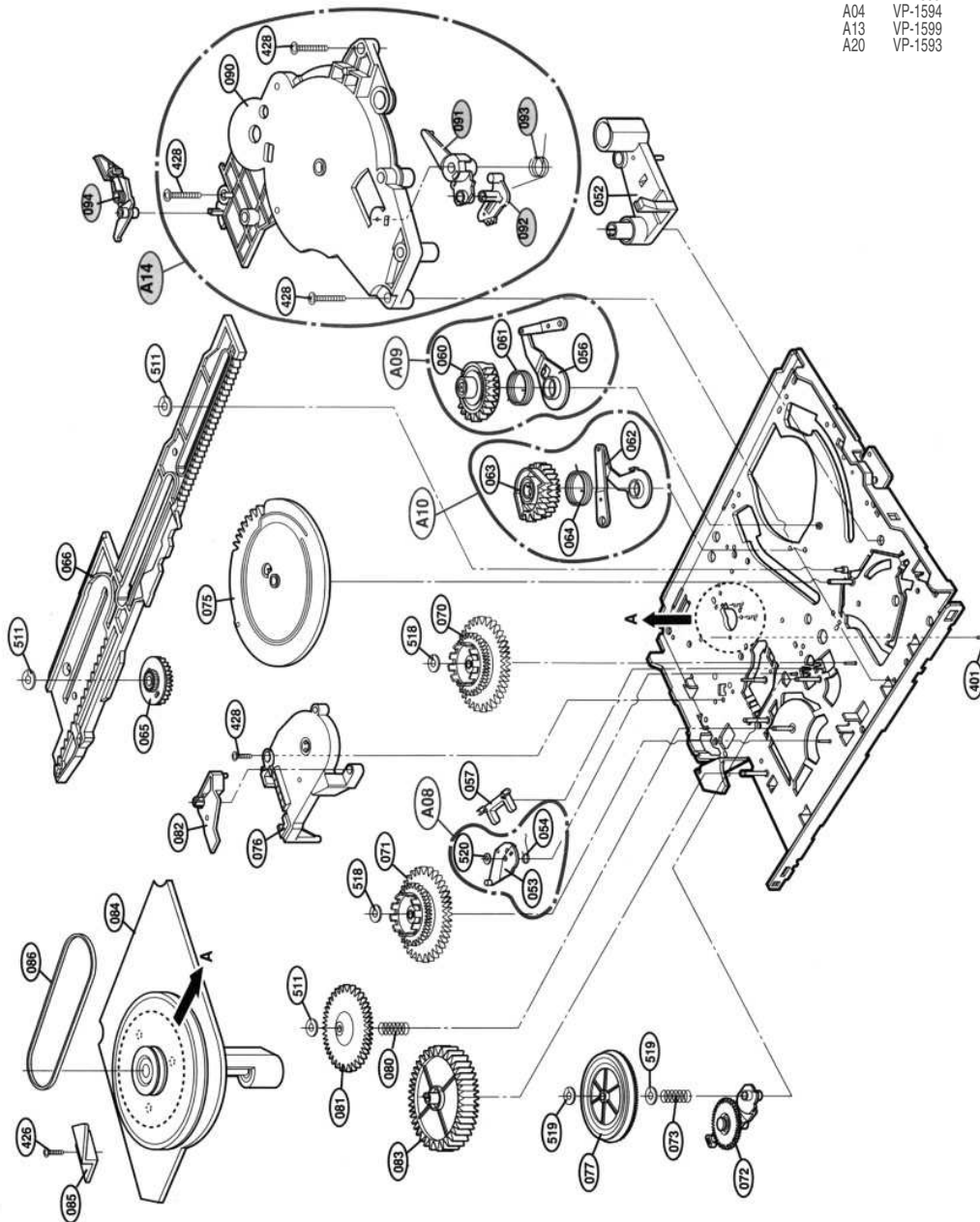
**EXPLODED VIEW**

**2. Moving Mechanism Section(1) Top View**















41	VP-1598
50	VP-3516/1
70	VP-1596
71	VP-1597
72	VP-1595
A04	VP-1594
A13	VP-1599
A20	VP-1593

- 41 VP-1598
- 50 VP-3516/1
- 70 VP-1596
- 71 VP-1597
- 72 VP-1595
- A04 VP-1594
- A13 VP-1599
- A20 VP-1593



**VIDEODECK: HIT - 002**

 <p><b>VP-0105</b> IDLER ASSY 6413663</p>	 <p><b>VP-0090</b> TENSION BAND</p>	 <p><b>VP-0115</b> RELAIS 5641204</p>	<p><b>VS-0150</b> SET REMENA</p> <p>šifra:            dimenzije:</p> <p><b>REMK-026/2</b>    26.50 x 1.00 x 1.00</p> <p><b>REMK-038/1</b>    38.50 x 1.20 x 1.20</p> <p><b>REMK-050/2</b>    50.50 x 1.00 x 1.00</p> <p><b>REMK-060/3</b>    60.50 x 2.00 x 2.00</p>
 <p><b>VP-0106</b> IDLER ASSY 6414221</p>	 <p><b>VP-0086</b> IMPEDANCE ROLL ASSY 6383526</p>	 <p><b>VP-0088</b> SUPPLY TABLE (L) 6413633</p>	
 <p><b>VP-0110</b> PINCH ROLLER 6383211</p>	 <p><b>VP-0439</b> LED / SENSOR LN55</p>	 <p><b>VP-0087</b> TAKE UP TABLE (R) 6413654</p>	
 <p><b>VP-0087/B</b> RUBBER TABLE TYRE</p>	 <p><b>VP-0227</b> PILOT LAMP 5762281</p>	 <p><b>VP-0079</b> WIND ROLLER 6383531</p>	



**VIDEODECK:HIT - 003**

 <p><b>VP-0102</b> FF/REWIND IDLER ARM 6861471</p>	 <p><b>VP-0129</b> TENSION BAND 7372521</p>	 <p><b>VP-0438</b> PHOTO TRANSISTOR PN150</p>	<p><b>VS-0140</b> SET REMENA</p> <p>šifra: dimenzije:</p> <p><b>REMK-037/1</b> 37.50 x 1.00 x 1.00</p> <p><b>REMK-038/1</b> 38.50 x 1.20 x 1.20</p> <p><b>REMK-044/1</b> 44.00 x 1.00 x 1.00</p> <p><b>REMK-045/1</b> 45.50 x 1.00 x 1.00</p> <p><b>REMK-069/2</b> 69.00 x 2.00 x 2.00</p>
 <p><b>VP-0110</b> PINCH ROLLER 6383762</p>	 <p><b>VP-0121</b> BRAKE IDLER 6861503</p>	 <p><b>VP-0227</b> PILOT LAMP QLP3104111</p>	
 <p><b>VP-0103</b> PLAY IDLER 6861481</p>	 <p><b>VP-0439</b> LED / SENSOR LN55</p>	 <p><b>VP-0115</b> RELAIS 5641204</p>	

**VIDEODECK: HIT- 004**

 <p><b>VP-0130</b> IDLER ASSY 6875386</p>	 <p><b>VP-0113</b> TENSION BAND 7376271</p>	 <p><b>VP-1147</b> LOADING MOTOR 7382132</p>	<p><b>VS-0390</b> SET REMENA</p> <p>šifra: dimenzije:</p> <p><b>REMK-019/2</b> 19.30 x 1.20 x 1.20</p> <p><b>REMK-019/2</b> 19.30 x 1.20 x 1.20</p> <p><b>REMK-036/1</b> 36.00 x 0.50 x 0.50</p> <p><b>REMK-038/1</b> 38.50 x 1.20 x 1.20</p>
 <p><b>VP-0083</b> PINCH ROLLER 6383211</p>	 <p><b>VP-0124</b> IMPEDANCE ROLL ASSY 6879902</p>	 <p><b>VP-1106</b> SENSOR/LED GL450</p>	



**VP-0120**  
CLUTCH ASSY 7375443



**VP-0113**  
TENSION BAND 7376271



**VP-1147**  
LOADING MOTOR 7376352



**VP-0126**  
TAKE UP TABLE (R) 6415412



**VP-0104**  
FF/REW.IDLER ARM 6886971



**VP-1147**  
CASS.LOADING MOTOR 7376352



**VP-0127**  
PHOTO TRANSISTOR 5381683

**VS-0380**  
SET REMENA

šifra:	dimenzije:
<b>REMK-110/2</b>	110.00 x 1.80 x 1.80
<b>REMK-023/2</b>	21.00 x 1.80 x 1.80
<b>REMK-027/2</b>	27.00 x 1.80 x 1.80
<b>REMK-043/2</b>	43.50 x 1.40 x 1.40
<b>REMK-043/2</b>	43.50 x 1.40 x 1.40
<b>REMT-087/4</b>	87.50 x 0.91 x 6.00



**VP-0145**  
MODE SELECT SWITCH 5625091



**VP-0128**  
END SENSOR 5381684



**VP-1106**  
SENSOR/LED GL450



**VP-0110**  
PINCH ROLLER 6383211



**VP-0124**  
IMPEDANCE ROLL ASSY 6879902



**VP-0125**  
SUPPLY TABLE (L) 6415391

VIDEODECK: HIT - 006



**VP-0120**  
CLUTCH ASSY 7375443



**VP-0164**  
CASSETE HOUSE 7396066



**VP-0124**  
IMPEDANCE ROLL ASSY 6879902



**VP-0125**  
SUPPLY TABLE (L) 6415391



**VP-0145**  
MODE SELECT SWITCH 5625091



**VP-1147**  
CASS.LOADING MOTOR 7376352



**VP-1147**  
LOADING MOTOR 7376352



**VP-0126**  
TAKE UP TABLE (R) 6415412



**VP-0083**  
PINCH ROLLER 6975761



**VP-0128**  
END SENSOR 5381682



**VP-0127**  
PHOTO TRANSISTOR 5381681

**VS-0830**  
SET REMENA

šifra:	dimenzije:
<b>REMK-110/1</b>	110.00 x 1.60 x 1.60
<b>REMK-020/3</b>	20.70 x 2.10 x 2.10
<b>REMK-026/4</b>	26.70 x 1.80 x 1.80
<b>REMK-043/2</b>	43.50 x 1.40 x 1.40
<b>REMK-043/2</b>	74.00 x 1.00 x 1.00
<b>REMT-087/3</b>	87.50 x 0.70 x 6.00



**VP-0113**  
TENSION BAND 7376271



**VP-0104**  
FF/REW.IDLER ARM 6886971



**VP-1106**  
SENSOR/LED GL450

**VIDEODECK: HIT - 007**



**VP-0123**  
CLUTCH ASSY 6886824



**VP-0113**  
TENSION BAND 7376271



**VP-1147**  
LOADING MOTOR 7376352



**VP-0126**  
TAKE UP TABLE (R) 6415412



**VP-0122**  
FF/REW.IDLER ARM 6876792



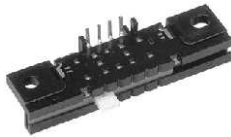
**VP-1147**  
CASS.LOADING MOTOR 7376352



**VP-0127**  
PHOTO TRANSISTOR 5381681

**BV-0820**  
BELTS

šifra:	dimenzije:
<b>REMK-110/1</b>	110.00 x 1.60 x 1.60
<b>REMK-020/1</b>	20.30 x 2.40 x 2.40
<b>REMK-026/4</b>	26.70 x 1.80 x 1.80
<b>REMK-043/2</b>	43.50 x 1.40 x 1.40
<b>REMK-043/2</b>	43.50 x 1.40 x 1.40
<b>REMT-087/3</b>	87.50 x 0.70 x 6.00



**VP-0143**  
MODE SELECT SWITCH 5625141



**VP-0128**  
END SENSOR 5381682



**VP-1106**  
SENSOR/LED GL450



**VP-0083**  
PINCH ROLLER 6979842



**VP-0124**  
IMPEDANCE ROLL ASSY 6879902



**VP-0125**  
SUPPLY TABLE (L) 6415391

VIDEODECK: HIT - 008



**VP-0132**  
CLUTCH BASE ASSY 6896951



**VP-0083**  
PINCH ROLLER 6975761



**VP-1106**  
SENSOR/LED GL450



**VP-0138**  
SUPPLY TABLE (L) 6415531



**VP-0131**  
FF/REW.IDLER ARM 6897094



**VP-0140**  
TENSION BAND 7413665



**VP-0155**  
SHAFT ASSY(CASS.HOUSE) 7580791



**VP-0139**  
TAKE UP TABLE (R) 6415542



**VP-0146**  
MODE SW+LOADING MOTOR 6896892



**VP-0137**  
CAM SENSOR 6897063



**VP-1167**  
SIDE PLATE (R) 6804982

**VR-1009**  
VIDEO REMEN

**VP-0170**  
CLEANING ROLLER 7472127

VIDEODECK: HIT - 009

 <p><b>VP-0165</b> CLEANING ROLLER 7472125</p>	 <p><b>VP-0156</b> MODE SW+LOADING MOTOR 7794931</p>	 <p><b>VP-0152</b> CAM GEAR 6437961</p>	 <p><b>VP-0138</b> SUPPLY TABLE (L) 6416021</p>
 <p><b>VP-0150</b> CLUTCH PLATE ASSY 6807874</p>	 <p><b>VP-0083</b> PINCH ROLLER 6975768</p>	 <p><b>VP-0166</b> CASSETTE HOLDER 7449177</p>	 <p><b>VP-0139</b> TAKE UP TABLE (R) 6416041</p>
 <p><b>VP-0151</b> IDLER ASSY 6401043</p>	 <p><b>VP-0153</b> TENSION BAND 7794952</p>	 <p><b>VP-0167</b> SIDE PLATE (R) 6804982</p>	<p>REMEN <b>REMK - 076/2</b> 76.50 x 2.00</p>

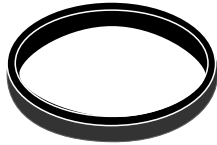
VIDEODECK: HIT - 010

			<p><b>VR-1015</b> VIDEO REMEN</p>
<p><b>VP-0165</b> CLEANING ROLLER 7472125</p>	<p><b>VP-0166</b> CASSETTE HOLDER 7449177</p>	<p><b>VP-0167</b> SIDE PLATE (R) 6804982</p>	<p><b>VP-0171</b> IDLER UNIT 6821841</p>
			<p><b>VP-0172</b> CLUTCH MECHANISM 6821872</p>
<p><b>VP-0083</b> PINCH ROLLER 6975768</p>	<p><b>VP-1106</b> SENSOR/LED</p>	<p><b>VP-0138</b> SUPPLY TABLE (L) 6416041</p>	
			
<p><b>VP-0153</b> TENSION BAND 7794952</p>	<p><b>VP-0155</b> SHAFT ASSY(CASS.HOUSE) 7580791</p>	<p><b>VP-0139</b> TAKE UP TABLE (R) 6415543</p>	

VIDEODECK: HIT - 102



**VP-0106**  
IDLER ASSY 6414221



**VP-0087/B**  
RUBBER TABLE TYRE



**VP-0439**  
LED / SENSOR LN55



**VP-0087**  
TAKE UP TABLE (R) 6413654



**VP-0105**  
IDLER ASSY 6413663



**VP-0114**  
TENSION BAND 7318381



**VP-0115**  
RELAIS 5641204



**VP-0079**  
WIND ROLLER 6383531



**VP-0110**  
PINCH ROLLER 6383211



**VP-0086**  
IMPEDANCE ROLL ASSY 6383526



**VP-0088**  
SUPPLY TABLE (L) 6413633

**VS-0150**  
SET REMENA

šifra:	dimenzije:
<b>REMK-026/2</b>	26.50 x 1.00 x 1.00
<b>REMK-038/1</b>	38.50 x 1.20 x 1.20
<b>REMK-050/2</b>	50.50 x 1.00 x 1.00
<b>REMK-060/3</b>	60.50 x 2.00 x 2.00



VIDEODECK: HIT - 103



**VP-0121**  
BRAKE IDLER 6861503



**VP-0103**  
PLAY IDLER 6861481



**VP-0438**  
PHOTO TRANSISTOR PN150

**VS-0140**  
SET REMENA

Šifra:	dimenzije:
<b>REMK-037/1</b>	37.50 x 1.00 x 1.00
<b>REMK-038/1</b>	38.50 x 1.20 x 1.20
<b>REMK-044/1</b>	44.00 x 1.00 x 1.00
<b>REMK-045/1</b>	45.50 x 1.00 x 1.00
<b>REMK-069/2</b>	69.00 x 2.00 x 2.00



**VP-0102**  
FF/REWIND IDLER ARM 6861471



**VP-0112**  
TENSION BAND 7374694



**VP-0115**  
RELAIS 5641204



**VP-0110**  
PINCH ROLLER 6383211



**VP-0439**  
LED / SENSOR LN55

VIDEODECK: HIT - 105



**VP-0120**  
CLUTCH ASSY 7375443



**VP-0113**  
TENSION BAND 7376271



**VP-1147**  
LOADING MOTOR 7376352



**VP-0126**  
TAKE UP TABLE (R) 6415412



**VP-0104**  
FF/REW.IDLER ARM 6886971



**VP-1147**  
CASS.LOADING MOTOR 7376352



**VP-0127**  
PHOTO TRANSISTOR 53816831

**VS-0380**  
SET REMENA

šifra: dimenzije:

<b>REMK-110/2</b>	110.00 x 1.80 x 1.80
<b>REMK-023/2</b>	21.00 x 1.80 x 1.80
<b>REMK-027/2</b>	27.00 x 1.80 x 1.80
<b>REMK-043/2</b>	43.50 x 1.40 x 1.40
<b>REMK-043/2</b>	43.50 x 1.40 x 1.40
<b>REMT-087/4</b>	87.50 x 0.91 x 6.00



**VP-0149**  
MODE SELECT SWITCH 5625061



**VP-0128**  
END SENSOR 5381684



**VP-1106**  
SENSOR/LED GL450



**VP-0110**  
PINCH ROLLER 6383211



**VP-0124**  
IMPEDANCE ROLL ASSY 6879902



**VP-0125**  
SUPPLY TABLE (L) 6415391

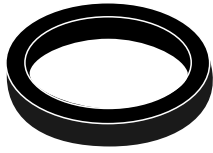
**VIDEODECK: HIT - 50I**

 <p><b>VP-0161</b> IDLER ARM 6401444</p>	 <p><b>VP-0160</b> SUPPLY GEAR 6405191</p>	 <p><b>VP-0158</b> TAKE UP PULLEY 6823331</p>	
 <p><b>VP-0157/1</b> PINCH ROLLER UNIT 6500431</p>	 <p><b>VP-0159</b> TAKE UP GEAR 6405181</p>	<p><b>VR-1019</b> VIDEO REMEN</p>	
		<p><b>VP-0173</b> MODE SWITCH 5610891</p>	

**VIDEODECK: JVC - 00I**

 <p><b>VP-0214</b> FFRUBBER TYRE PU449184</p>	 <p><b>VP-0213</b> REWIND IDLER TYRE PU449182</p>	 <p><b>VP-0212</b> TAKE UP IDLER TYRE PU44918</p>	 <p><b>VP-0227</b> PILOT LAMP QLP3104111</p>
 <p><b>VP-0216</b> PINCH ROLLER PU47549A</p>	 <p><b>VP-0254</b> RUBBER IDLER TYRE PU449183</p>	 <p><b>VP-0231</b> TENSION BAND PU44853A</p>	<p><b>VS-0000</b> SET REMENA šifra: dimenzije:  <b>REMK-032/1</b> 32.00 x 1.10 x 1.10  <b>REMK-047/3</b> 47.50 x 2.00 x 2.00  <b>REMK-053/1</b> 53.00 x 1.20 x 1.20  <b>REMT-056</b> 56.00 x 0.80 x 8.00  <b>REMT-076/1</b> 76.00 x 1.00 x 1.00  <b>REMT-076/2</b> 76.00 x 0.60 x 6.00  <b>REMT-091/1</b> 91.00 x 1.20 x 10.00  <b>REMK-098/1</b> 98.50 x 2.50 x 2.50</p>
 <p><b>VP-0210</b> REWIND IDLER PU46380</p>	 <p><b>VP-0205</b> TAKE UP IDLER PU47752</p>	 <p><b>VP-0211</b> UNLOADING IDLER PU46381</p>	

VIDEODECK: JVC - 002



**VP-0214**  
FF RUBBER TYRE PU449184



**VP-0216**  
PINCH ROLLER PU47549A



**VP-0206**  
TAKE UP IDLER PU49280



**VP-0227**  
PILOT LAMP QLP3104111



**VP-0207**  
IDLER ARM PU49281



**VP-0208**  
REWIND IDLER PU49282

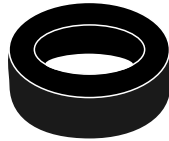


**VP-0231**  
TENSION BAND PU44853A

**VS-0000**  
SET REMENA  
šifra: dimenzije:  
**REMK-032/1** 32.00 x 1.10 x 1.10  
**REMK-047/3** 47.50 x 2.00 x 2.00  
**REMK-053/1** 53.00 x 1.20 x 1.20  
**REMT-056** 56.00 x 0.80 x 8.00  
**REMT-076/1** 76.00 x 1.00 x 1.00  
**REMT-076/2** 76.00 x 0.60 x 6.00  
**REMT-091/1** 91.00 x 1.20 x 10.00  
**REMK-098/1** 98.50 x 2.50 x 2.50



**VP-0209**  
IDLER ASSY PU49283



**VP-0254**  
RUBBER IDLER TYRE PU449183



**VP-0211**  
UNLOADING IDLER PU46381

VIDEODECK: JVC - 003



**VP-0202**  
IDLER ASSY PU48967B



**VP-0203**  
TAKE UP CLUTCH PU51380A2



**VP-0256**  
TENSION BAND PAD PUM300192



**VP-0244**  
REEL MOTOR PU51381V



**VP-0217**  
PINCH ROLLER PU51367A



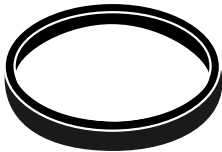
**VP-0201**  
TAKE - UP IDLER PU51402A



**VP-0243**  
FRONT LOADING MOTOR PU48854

**VS-0170**  
SET REMENA

šifra:	dimenzije:
<b>VR-1010</b>	30.00 x 1.60 x 1.60
<b>REMK-032/1</b>	32.00 x 1.10 x 1.10
<b>REMK-045/1</b>	45.50 x 1.00 x 1.00
<b>REMK-063/1</b>	63.00 x 1.00 x 1.00
<b>REMT-086</b>	86.50 x 0.53 x 6.00



**VP-0230**  
RUBBER TABLE TYRE



**VP-0234**  
TENSION BAND PU51390A



**VP-0225**  
LAMP 495572

**VIDEODECK: JVC - 004**



**VP-0202**  
IDLER ASSY PU48967B



**VP-0203**  
TAKE UP CLUTCH PU51380A2



**VP-0243**  
FRONT LOADING MOTOR PU48854

**VS-0230**  
SET REMENA

šifra: dimenzije:

**REMK-028/2** 28.50 x 1.80 x 1.80

**REMK-037/2** 37.50 x 1.70 x 1.70

**REMK-045/1** 45.50 x 1.00 x 1.00

**REMT-086** 86.50 x 0.53 x 6.00



**VP-2213**  
MAINTENANCE KIT PTU960972



**VP-0201**  
TAKE - UP IDLER PU51402A



**VP-0226**  
LAMP 495572



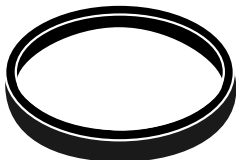
**VP-0217**  
PINCH ROLLER PU51367A



**VP-0234**  
TENSION BAND PU51390A



**VP-0244**  
REEL MOTOR PU53577V



**VP-0230**  
RUBBER TABLE TYRE


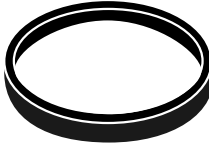










**VP-0256**  
TENSION BAND PAD PUM300192



**VP-0275**  
ROLLER ASSY PU49042A

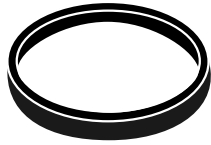
VIDEODECK: JVC - 005

 <p><b>VP-0003</b> IDLER PU48811D</p>	 <p><b>VP-0230</b> RUBBER TABLE TYRE</p>	 <p><b>VP-0227</b> PILOT LAMP QLP3104111</p>	 <p><b>VP-2212</b> TAKE UP TABLE (IN KIT) PU48825D</p>
 <p><b>VP-2212</b> MAINTENANCE KIT PTU96091</p>	 <p><b>VP-0233</b> TENSION BAND PU48784B</p>	 <p><b>VP-0240</b> REEL MOTOR PU49694P2</p>	<p><b>VS-0160</b> SET REMENA</p> <p>šifra:            dimenzije:</p> <p><b>REMT-144</b>    144.00 x 0.70 x 7.00</p> <p><b>REMK-044/1</b>   44.00 x 1.00 x 1.00</p> <p><b>REMT-083/1</b>   83.50 x 0.35 x 6.00</p>
 <p><b>VP-0216</b> PINCH ROLLER PU47549A</p>	 <p><b>VP-0243</b> FRONT LOADING MOTOR PU48854</p>	 <p><b>VP-2213</b> SUPPLY TABLE (IN KIT) PU48820D</p>	

VIDEODECK: JVC - 006



**VP-0268**  
IDLER PU52190A



**VP-0230**  
RUBBER TABLE TYRE



**VP-0226**  
LAMP QLP3104111

**VS-0160**  
SET REMENA

šifra:	dimenzije:
<b>REMT-144</b>	144.00 x 0.70 x 7.00
<b>REMK-044/1</b>	44.00 x 1.00 x 1.00
<b>REMT-083/1</b>	83.50 x 0.35 x 6.00



**VP-0269**  
IDLER ARM PU52192A



**VP-0233**  
TENSION BAND PU48784B



**VP-0240**  
REEL MOTOR PU49694P3



**VP-0217**  
PINCH ROLLER PU51367A



**VP-0243**  
FRONT LOADING MOTOR PU48854



**VP-0270**  
TAKE UP PULLY PU52191A



**VIDEODECK: JVC - 007**



**VP-0202**  
IDLER ASSY PU48967B



**VP-0232**  
TENSION BAND PU48899A



**VP-0202**  
REEL MOTOR PU48922

**VS-0180**

SET REMENA

šifra: dimenzije:

**VR-1010** 30.00 x 1.60 x 1.60

**REMK-037/2** 37.50 x 1.70 x 1.70

**REMT-086** 86.50 x 0.53 x 6.00



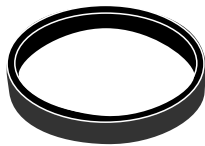
**VP-0216**  
PINCH ROLLER PU47549A



**VP-0243**  
FRONT LOADING MOTOR PU48854



**VP-0275**  
ROLLER ASSY PU49042A



**VP-0230**  
RUBBER TABLE TYRE

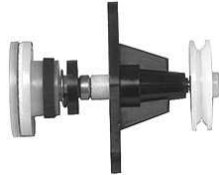


**VP-0225**  
LAMP 495572

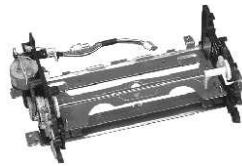
**VIDEODECK:JVC - 008**



**VP-2201**  
MAINTENANCE KIT PTU96075



**VP-0215**  
TAKE UP CLUTCH PU55373



**VP-0255**  
CASSETTE HOUSE PUS268050



**VP-0247**  
PHOTO INTERRUPTOR GP3A06



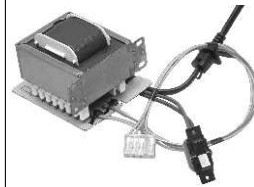
**VP-0218**  
PINCH ROLLER PQ40134B



**VP-0201**  
TAKE-UP IDLER PU51402A



**VP-0243**  
CASSETTE MOTOR PQ40090A



**VP-0276**  
POWER TRANSFORMER PU34095C



**VP-0218/1**  
PINCH ROLLER UNIT PQ40134B



**VP-0234**  
TENSION BAND PU51390A



**VP-2225**  
LOADING BLOCK ASSY PU51859C



**VP-1106**  
SENSOR/LED GL450



**VP-0204**  
REEL IDLER PU55374



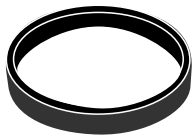
**VP-0256**  
TENSION BAND PAD PUM300192



**VP-0243**  
FRONT LOADING MOTOR PU48854



**VP-0293**  
UNLOADING SLIDE GEAR PQ40067



**VP-0230**  
RUBBER TABLE TYRE



**VP-0291**  
CAM GEAR (1) PQ30028



**VP-0292**  
LOADING SLIDE GEAR PQ40066

**VS-0430**  
SET REMENA

šifra:	dimenzije:
<b>REMK-115/1</b>	115.00 x 2.00 x 2.00
<b>REMT-144</b>	144.00 x 0.70 x 7.00
<b>REMK-045/1</b>	45.50 x 1.00 x 1.00
<b>REMT-090/2</b>	90.00 x 0.55 x 6.00

**VIDEODECK:JVC - 009**



**VP-0228**  
CLUTCH MECHANISAM PU57658B4



**VP-0291**  
CAM GEAR (1) PQ30028



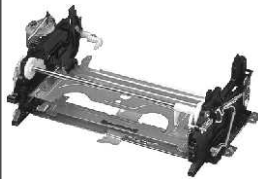
**VP-0292**  
LOADING SLIDE GEAR PQ40066

**VS-0400**  
SET REMENA

šifra: dimenzije:  
**VR-1010** 30.00 x 1.60 x 1.60  
**REMK-055/1** 55.00 x 1.60 x 1.60



**VP-2202**  
MAINTENANCE KIT PTU96077



**VP-0257**  
CASSETTE HOUSE PUS26805U



**VP-0243**  
MOTOR ASSY PQ40090A



**VP-0219/1**  
PINCH ROLLER UNIT PQ40252B4



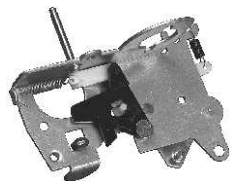
**VP-0241**  
CASSETTE MOTOR PQ40244A2



**VP-1106**  
SENSOR/LED GL450



**VP-0273**  
TENSION BAND PQ41370B



**VP-2226**  
LOADING BLOCK ASSY PUS36689W



**VP-0293**  
UNLOADING SLIDE GEAR PQ40067

**VIDEODECK:JVC - 010**



**VP-0228**  
CLUTCH MECHANISAM PU57658B4



**VP-0291**  
CAM GEAR (1) PQ30028



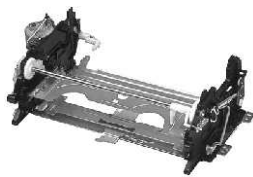
**VP-0243**  
LOADING MOTOR PQ40090A

**VS-0400**  
SET REMENA

šifra: dimenzije:  
**VR-1010** 30.00 x 1.60 x 1.60  
**REMK-055/1** 55.00 x 1.60 x 1.60



**VP-2202**  
MAINTENANCE KIT PTU96077



**VP-0257**  
CASSETTE HOUSE PUS26805U



**VP-0292**  
LOADING SLIDE GEAR PQ40066



**VP-0219/1**  
PINCH ROLLER UNIT PQ40252B4



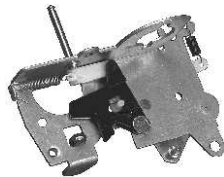
**VP-0241**  
CASSETTE MOTOR PQ40244A2



**VP-1106**  
SENSOR/LED GL450



**VP-0273**  
TENSION BAND PQ41370B



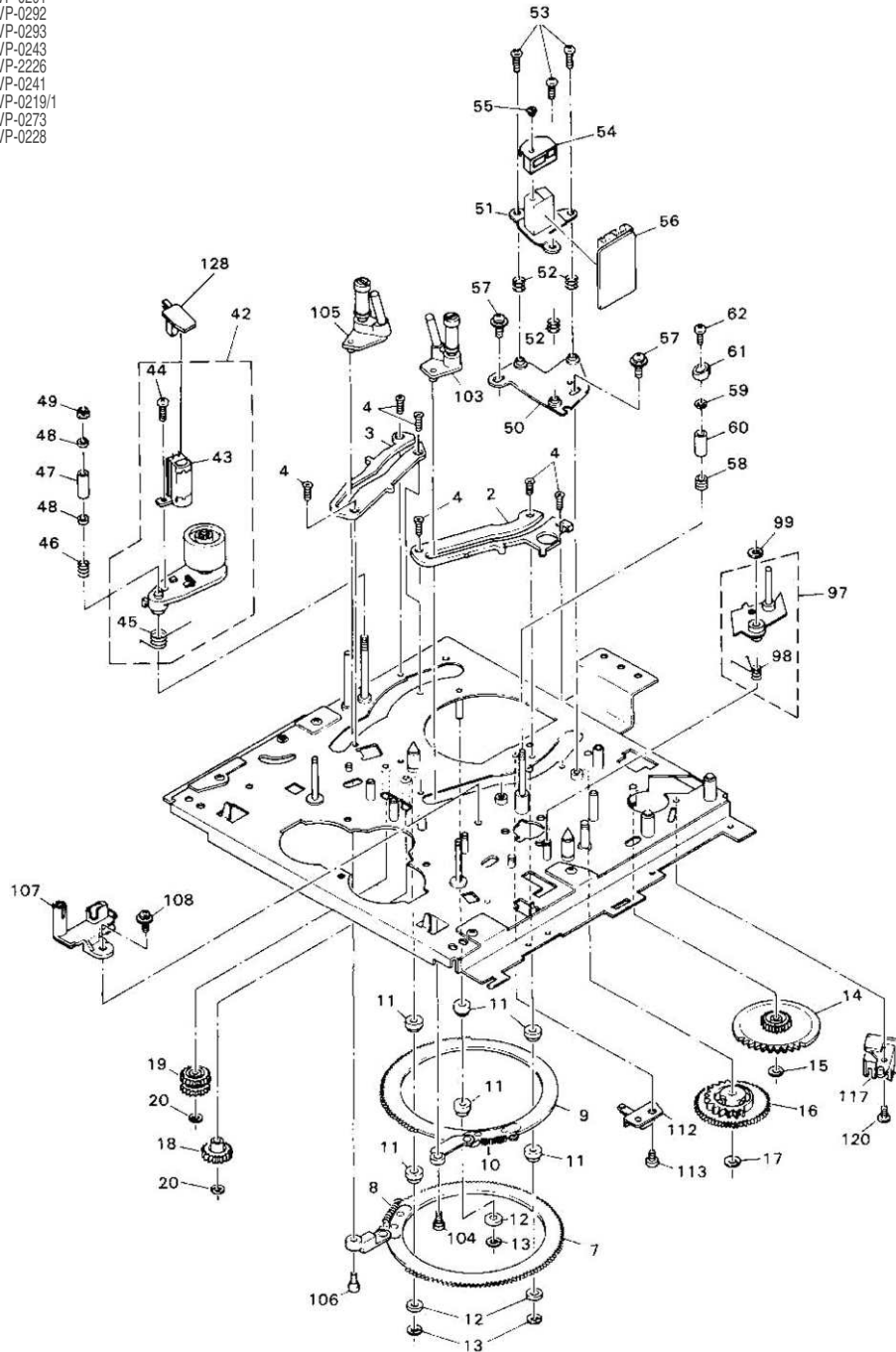
**VP-2226**  
LOADING BLOCK ASSY PUS36689W



**VP-0293**  
UNLOADING SLIDE GEAR PQ40067

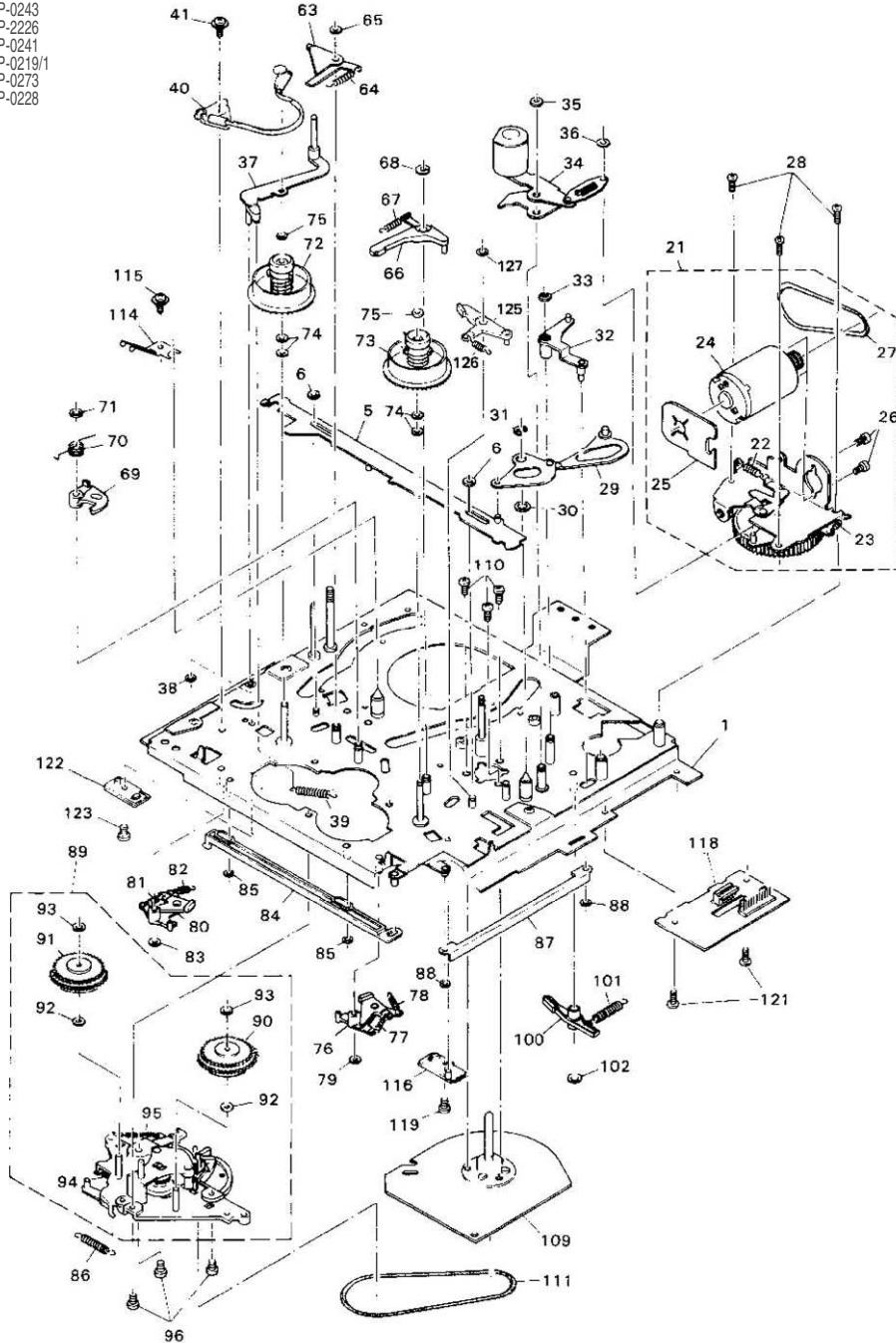
VIDEODECK: JVC - 010

- 12 VP-0291
- 13 VP-0292
- 14 VP-0293
- 18 VP-0243
- 21 VP-2226
- 24 VP-0241
- 34 VP-0219/1
- 40 VP-0273
- 89 VP-0228



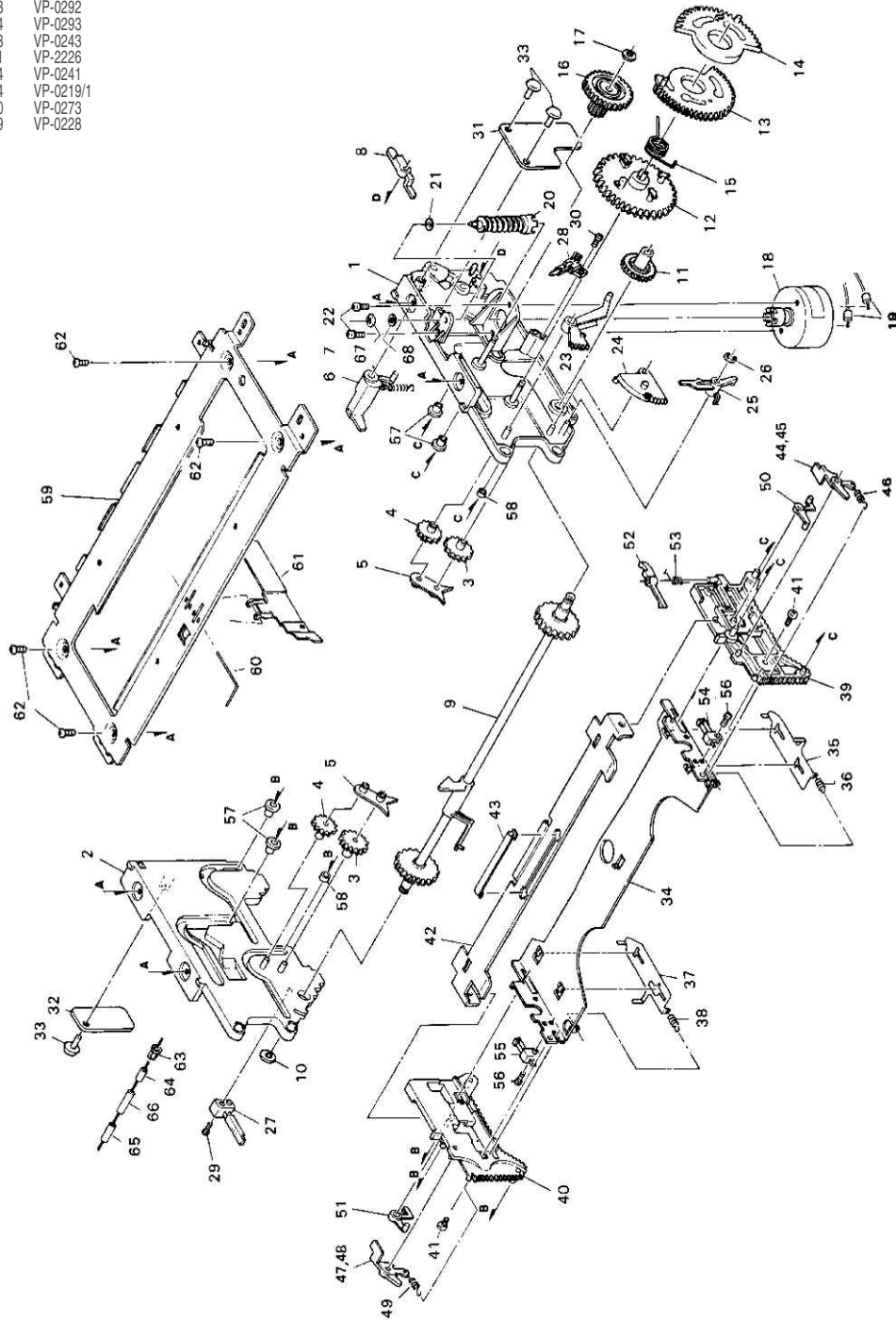
**VIDEODECK: JVC - 010**

- 12 VP-0291
- 13 VP-0292
- 14 VP-0293
- 18 VP-0243
- 21 VP-2226
- 24 VP-0241
- 34 VP-0219/1
- 40 VP-0273
- 89 VP-0228



VIDEODECK: JVC - 010

- 12 VP-0291
- 13 VP-0292
- 14 VP-0293
- 18 VP-0243
- 21 VP-2226
- 24 VP-0241
- 34 VP-0219/1
- 40 VP-0273
- 89 VP-0228



VIDEODECK: JVC - 011



**VP-0229**  
CLUTCH MECHANISM 8619219306



**VP-0251/1**  
PINCH ROLLER UNIT PQ42006B



**VP-0261**  
MODE MOTOR PQ41966A



**VP-0294**  
SECAM IDENT PU49057



**VP-0253**  
IDLER ARM PU58645



**VP-0271**  
TENSION BAND PQ41948A



**VP-0296**  
PHOTO INTERRUPTOR PU60271



**VP-1106**  
SENSOR/LED PU585282



**VP-2204**  
MAINTENANCE KIT PTU96079



**VP-1147**  
CASS. LOADING MOTOR



**VP-0260**  
REEL MOTOR PU58636W



**VP-2229**  
SUB BRAKE ASSY(SP) PQ42021A1



**VP-0298**  
MODE SELECT SWITCH PU58642



**VP-2227**  
CONTROL CAM GEAR PQ20250



**VP-2255**  
REEL MOTOR BRACKET PQ41974A



**VP-2230**  
SUB BRAKE ASSY(TU) PQ42037A2



**VP-0251**  
PINCH ROLLER PQ42006B



**VP-1147**  
LOADING MOTOR



**VP-2244**  
REEL SENSOR PU61088



**VP-2231**  
SUPPLY LOADING ARM PQ41979A2





**VP-0281**  
 SUPPLY MAIN BRAKE PQ42019A6



**VP-2232**  
 TAKE UP LOADING ARMPQ41985A1



**VP-0280**  
 TAKE UP TABLE (R) PU58638

**VS-0640**  
 SET REMENA  
 šifra: dimenzije:  
**REMK-018/1** 18.80 x 1.50 x 1.50  
**REMK-047/2** 47.00 x 1.80 x 1.80



**VP-0279**  
 SUPPLY TABLE (L) PU59250



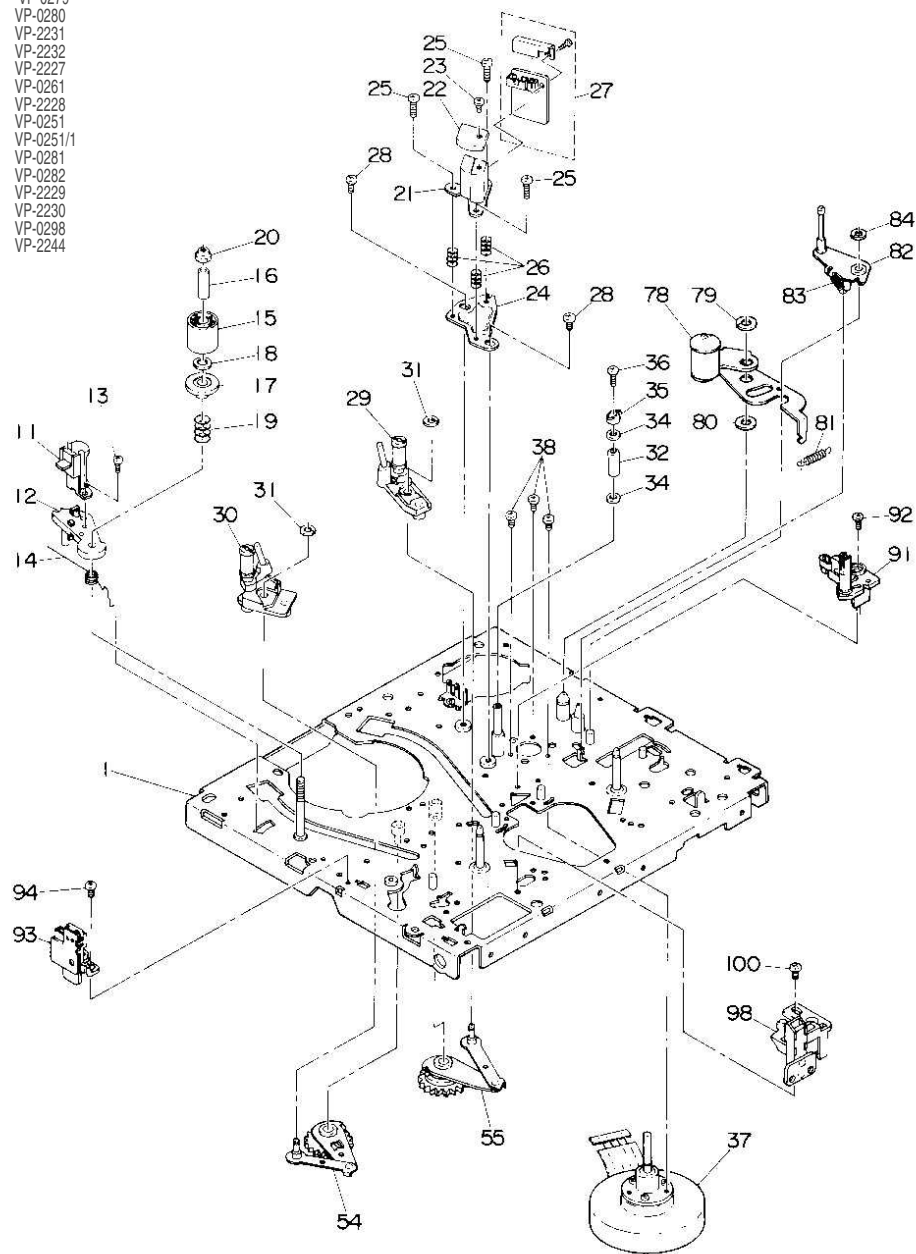
**VP-0282**  
 TAKE UP MAIN BRAKE PQ42020B



**VP-2228**  
 WORM ASSY PQ41998A

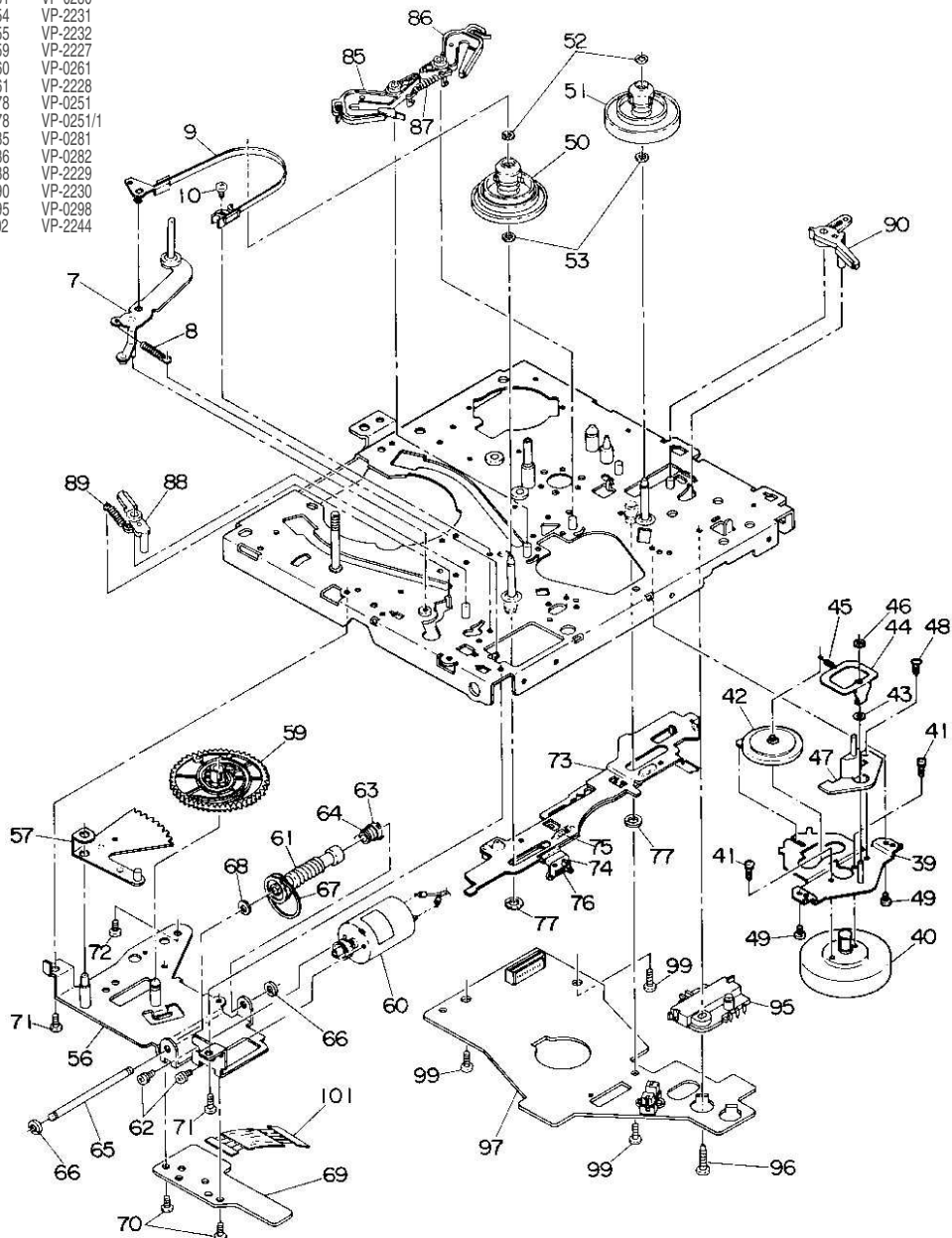
VIDEODECK: JVC - 011

- 9 VP-0271
- 39 VP-2255
- 40 VP-0260
- 42 VP-0253
- 50 VP-0279
- 51 VP-0280
- 54 VP-2231
- 55 VP-2232
- 59 VP-2227
- 60 VP-0261
- 61 VP-2228
- 78 VP-0251
- 78 VP-0251/1
- 85 VP-0281
- 86 VP-0282
- 88 VP-2229
- 90 VP-2230
- 95 VP-0298
- 102 VP-2244










VIDEODECK: JVC - 011

- 9 VP-0271
- 39 VP-2255
- 40 VP-0260
- 42 VP-0253
- 50 VP-0279
- 51 VP-0280
- 54 VP-2231
- 55 VP-2232
- 59 VP-2227
- 60 VP-0261
- 61 VP-2228
- 78 VP-0251
- 78 VP-0251/1
- 85 VP-0281
- 86 VP-0282
- 88 VP-2229
- 90 VP-2230
- 95 VP-0298
- 102 VP-2244



VIDEODECK:JVC - 012

 <p><b>VP-0253</b> IDLER ARM      PU58645</p>	 <p><b>VP-0271</b> TENSION BAND      PQ41948A</p>	 <p><b>VP-0261</b> LOADING MOTOR      PQ41996A</p>	 <p><b>VP-2244</b> REEL SENSOR      PU61088</p>
 <p><b>VP-2204</b> MAINTENANCE KIT      PTU96079</p>	 <p><b>VP-0283</b> CASSETTE HOUSE      PUS28277H</p>	 <p><b>VP-1147</b> LOADING MOTOR</p>	 <p><b>VP-1106</b> SENSOR/LED      GL450</p>
 <p><b>VP-2233</b> MODE SWITCH      PU60444</p>	 <p><b>VP-2242</b> CASSETTE SENSOR      PU60629</p>	 <p><b>VP-2255</b> REEL MOTOR BRACKET      PQ41974A</p>	 <p><b>VP-2258</b> STOPPER-TAPE GUIDE (L)      PQ43525</p>
 <p><b>VP-0251</b> PINCH ROLLER      PQ42006B</p>	 <p><b>VP-1147</b> LOADING MOTOR</p>	 <p><b>VP-0260</b> REEL MOTOR (2 WIRES)      PU58636W</p>	 <p><b>VP-0229</b> SUB BRAKE ASSY(SP)      PQ42021A1</p>
 <p><b>VP-0251/1</b> PINCH ROLLER UNIT      PQ42006B</p>	 <p><b>VP-2234</b> CONTROL CAM GEAR      PQ20577</p>	 <p><b>VP-2243</b> REEL MOTOR (3 WIRES)      PU59926V</p>	 <p><b>VP-2230</b> SUB BRAKE ASSY(TU)      PQ42037A2</p>

**VIDEODECK:JVC - 012**



**VP-2231**  
 SUPPLY LOADING ARM PQ41979A2



**VP-2232**  
 TAKE UP LOADING ARMPQ41985A1



**VP-2257**  
 TAPE GUIDE (L) PU61151

**VS-0640**

SET REMENA

šifra: dimenzije:

**REMK-018/1** 18.80 x 1.50 x 1.50

**REMK-047/2** 47.00 x 1.80 x 1.80



**VP-0281**  
 SUPPLY MAIN BRAKE PQ42019A6



**VP-0282**  
 TAKE UP MAIN BRAKE PQ42020B



**VP-2228**  
 WORM ASSY PQ41998A



**VP-0279**  
 SUPPLY TABLE (L) PU59250



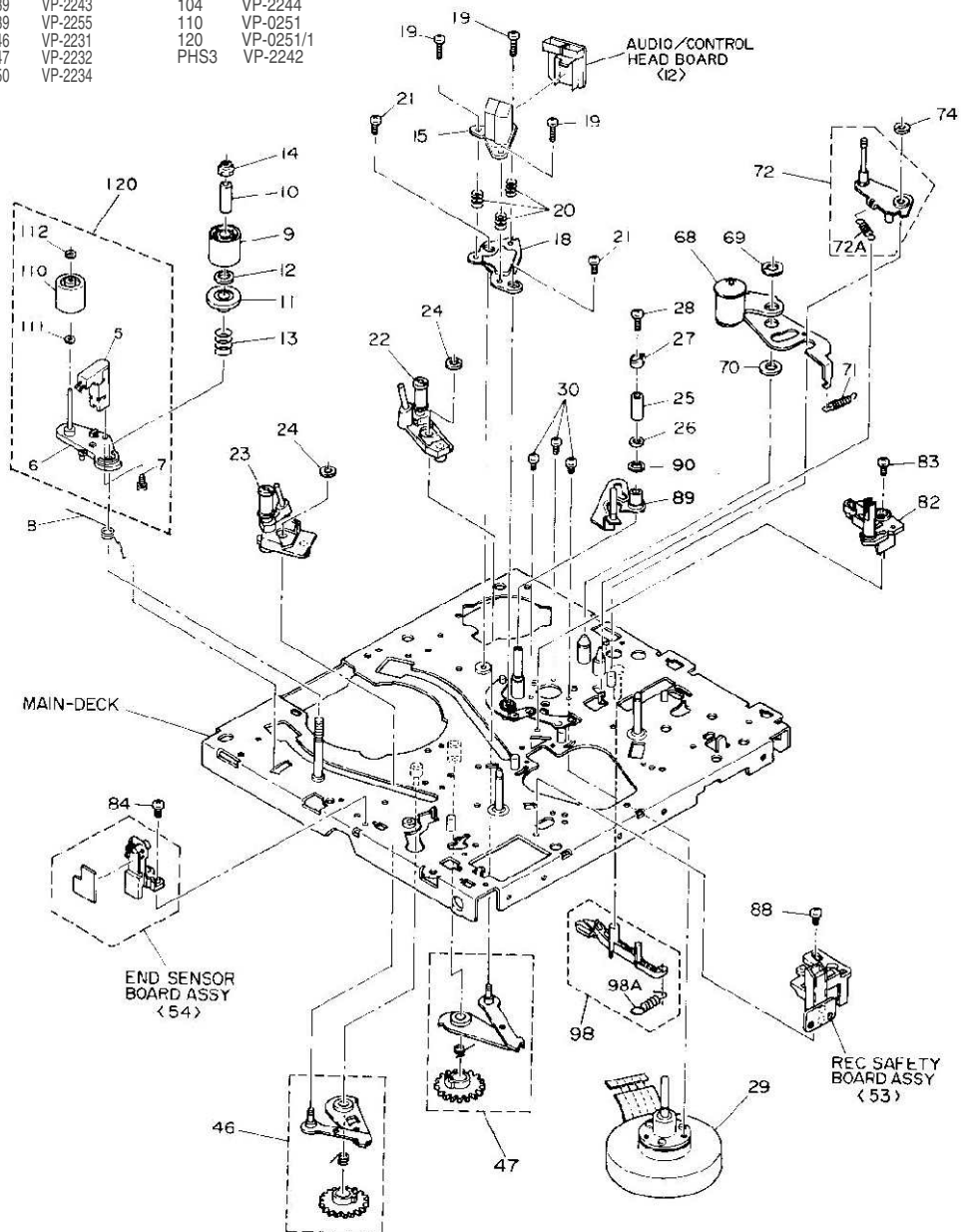
**VP-0280**  
 TAKE UP TABLE (R) PU58638



**VP-2256**  
 WORM WHEEL ASSY PQ43548A3

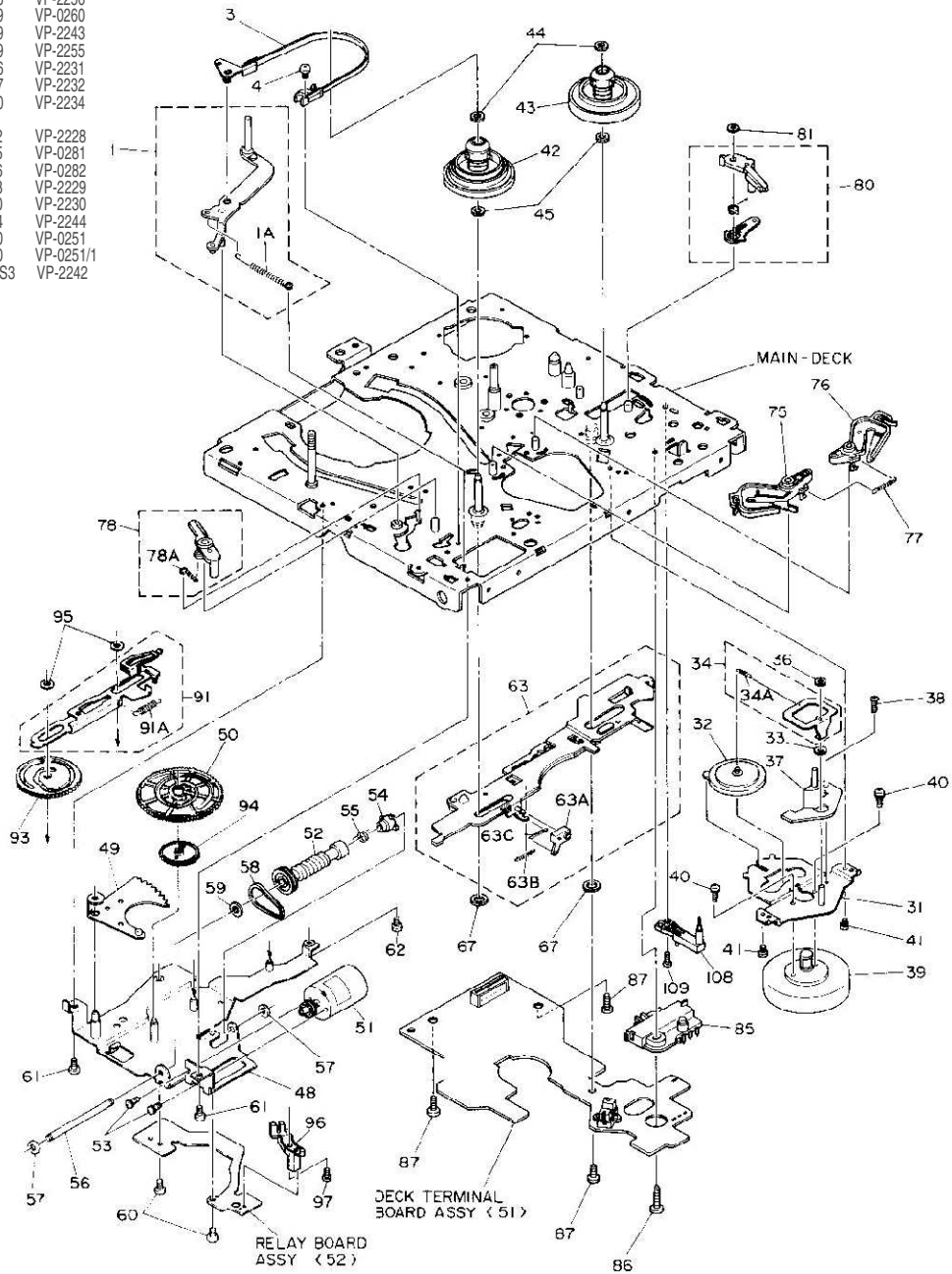
VIDEODECK: JVC - 012

3	VP-0271	52	VP-2228
15	VP-2257	75	VP-0281
17	VP-2258	76	VP-0282
36	VP-2256	78	VP-2229
39	VP-0260	80	VP-2230
39	VP-2243	104	VP-2244
39	VP-2255	110	VP-0251
46	VP-2231	120	VP-0251/1
47	VP-2232	PHS3	VP-2242
50	VP-2234		



VIDEODECK: JVC - 012

- 3 VP-0271
- 15 VP-2257
- 17 VP-2258
- 36 VP-2256
- 39 VP-0260
- 39 VP-2243
- 39 VP-2255
- 46 VP-2231
- 47 VP-2232
- 50 VP-2234
  
- 52 VP-2228
- 75 VP-0281
- 76 VP-0282
- 78 VP-2229
- 80 VP-2230
- 104 VP-2244
- 110 VP-0251
- 120 VP-0251/1
- PHS3 VP-2242



**VIDEODECK:JVC - 013**



**VP-1164**  
CASS. HOUS RUBBER PART



**VP-2207**  
MAINTENANCE KIT PTU96083



**VP-2263/1**  
P.ROLLER UNIT COMPL. PQ43523



**VP-2223**  
HALF LOADING GEAR PQ43570



**VP-0288**  
CLUTCH UNIT PU60953



**VP-2219**  
MAINTENANCE KIT PTU96123



**VP-0289**  
TENSION BAND PQ43501



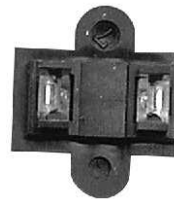
**VP-1147**  
LOADING MOTOR



**VP-0287**  
IDLER GEAR UNIT PU96122



**VP-0299**  
MODE SELECT SWITCH PU60622



**VP-2242**  
CASSETTE SENSOR PU60629



**VP-2241**  
LOADING MOTOR UNIT PQ43676



**VP-2218**  
MAINTENANCE KIT PTU96122



**VP-0297**  
PINCH ROLLER PQ43558A



**VP-2235**  
CONTROL CAM GEAR PQ32413



**VP-2236**  
PINCH ROLLER CAM PQ32416



**VP-2215**  
MAINTENANCE KIT PTU 96107



**VP-0297/1**  
PINCH ROLLER UNIT PQ43558



**VP-2250**  
GUIDE ARM ASSY PQ43567



**VP-2249**  
PLATE ASSY PQ43555



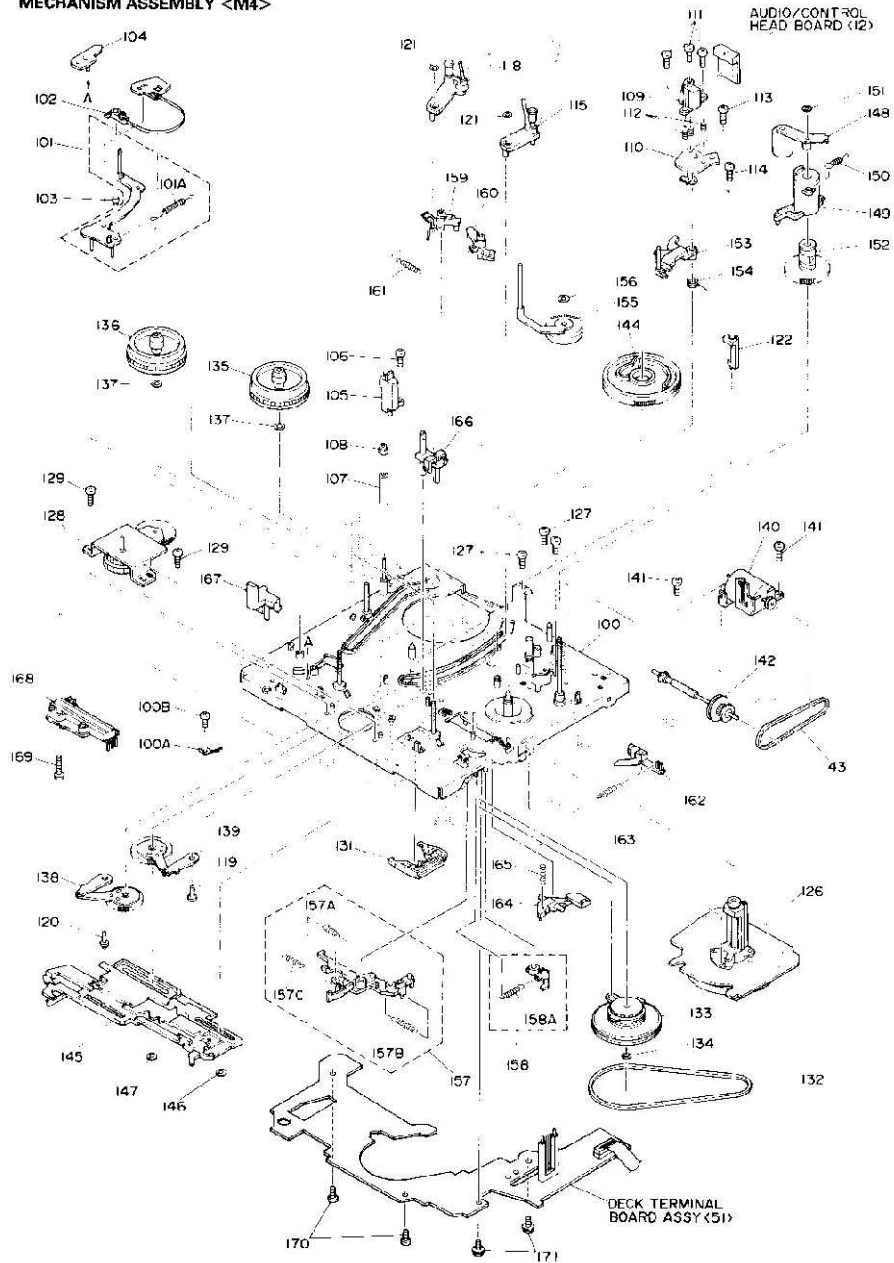
**VIDEODECK:JVC - 013**

 <p><b>VP-2280</b> REEL SENSOR PS5705HR</p>	 <p><b>VP-2282</b> STOPPER-TAPE GUIDE (R) PQ45895</p>	 <p><b>VP-2257</b> TAPE GUIDE L/POLE BASE PU61151</p>	<p><b>VS-1240</b> SET REMENA</p> <p>šifra: dimenzije:</p> <p><b>REMK-064/1</b> 64.00 x 1.60 x 1.60</p> <p><b>REMK-093/1</b> 93.00 x 1.60 x 1.60</p>
 <p><b>VP-1106</b> SENSOR/LED GL450</p>	 <p><b>VP-2278</b> SUB BRAKE ASSY (R) PQ43583A3</p>	 <p><b>VP-2253</b> TAPE GUIDE R/POLE BASE PU61103</p>	<p><b>VR-1017</b> VIDEO REMEN</p>
 <p><b>VP-2283</b> SLIT WASHER PQ300178</p>	 <p><b>VP-2247</b> SUPPLY LOAD. ARM PQ43537</p>	 <p><b>VP-2256</b> WORM CLUTCH ASSY PQ43548</p>	
 <p><b>VP-2258</b> STOPPER- TAPE GUIDE (L)PQ43525</p>	 <p><b>VP-2248</b> TAKE UP LOAD. ARM PQ43542</p>		

**VIDEODECK: JVC - 013**

102	VP-0289	134	VP-2283	145	VP-2249	152	VP-2236
115	VP-2253	138	VP-2247	148	VP-0297	153	VP-2250
118	VP-2257	139	VP-2248	148	VP-2263/1	155	VP-2223
120	VP-2258	140	VP-2241	148	VP-0297/1	162	VP-2278
128	VP-0287	142	VP-2256			168	VP-0299
133	VP-0288	144	VP-2235				

**MECHANISM ASSEMBLY <M4>**



**VIDEODECK:JVC - 014**

 <p><b>VP-1164</b> CASS. HOUS RUBBER PART</p>	 <p><b>VP-0262</b> MODE SELECT SWITCH PU60973</p>	 <p><b>VP-2222</b> CONTROL CAM GEAR PQ20822</p>	 <p><b>VP-2241</b> LOADING MOTOR UNIT PQ43676C</p>
 <p><b>VP-0286</b> CLUTCH UNIT PU61005</p>	 <p><b>VP-0285/1</b> PINCH ROLLER UNIT PQ43921B</p>	 <p><b>VP-2214</b> GEAR KIT(CAPST.MTR)PTU96031678C</p>	 <p><b>VP-2236</b> PINCH ROLLER CAM PQ32416</p>
 <p><b>VP-0277</b> IDLER GEAR UNIT PU61004</p>	 <p><b>VP-0289</b> TENSION BAND PQ43501B11</p>	 <p><b>VP-2250</b> GUIDE ARM ASSY PQ43567A13</p>	 <p><b>VP-2279</b> PLATE ASSY PQ44326A3</p>
 <p><b>VP-2206</b> MAINTENANCE KIT PTU96082</p>	 <p><b>VP-2240</b> CASSETTE HOUSE PUS29183E</p>	 <p><b>VP-2223</b> HALF LOADING GEAR PQ43570A</p>	 <p><b>VP-2280</b> REEL SENSOR PS5705HR</p>
 <p><b>VP-2216</b> MAINTENANCE KIT PTU96108</p>	 <p><b>VP-2242</b> CASSETTE SENSOR PU60629</p>	 <p><b>VP-1147</b> LOADING MOTOR</p>	 <p><b>VP-1106</b> SENSOR/LED GL450</p>

**VIDEODECK:JVC - 014**



**VP-2258**  
 STOPPER-TAPE GUIDE (L)PQ43525



**VP-2248**  
 TAKE UP LOAD. ARM PQ43542B



**VP-2256**  
 WORM CLUTCH ASSY PQ43548A3



**VP-2282**  
 STOPPER-TAPE GUIDE (R)PQ45895



**VP-2257**  
 TAPE GUIDE (L) PU61151

REMEN  
 šifra: dimenzije:  
**REMT - 095/1** 95.8 x 1.25 x 2.00

REMEN  
 šifra: dimenzije:  
**REMK - 064/1** 64.00 x 1.60



**VP-2247**  
 SUPPLY LOAD. ARM PQ43537A

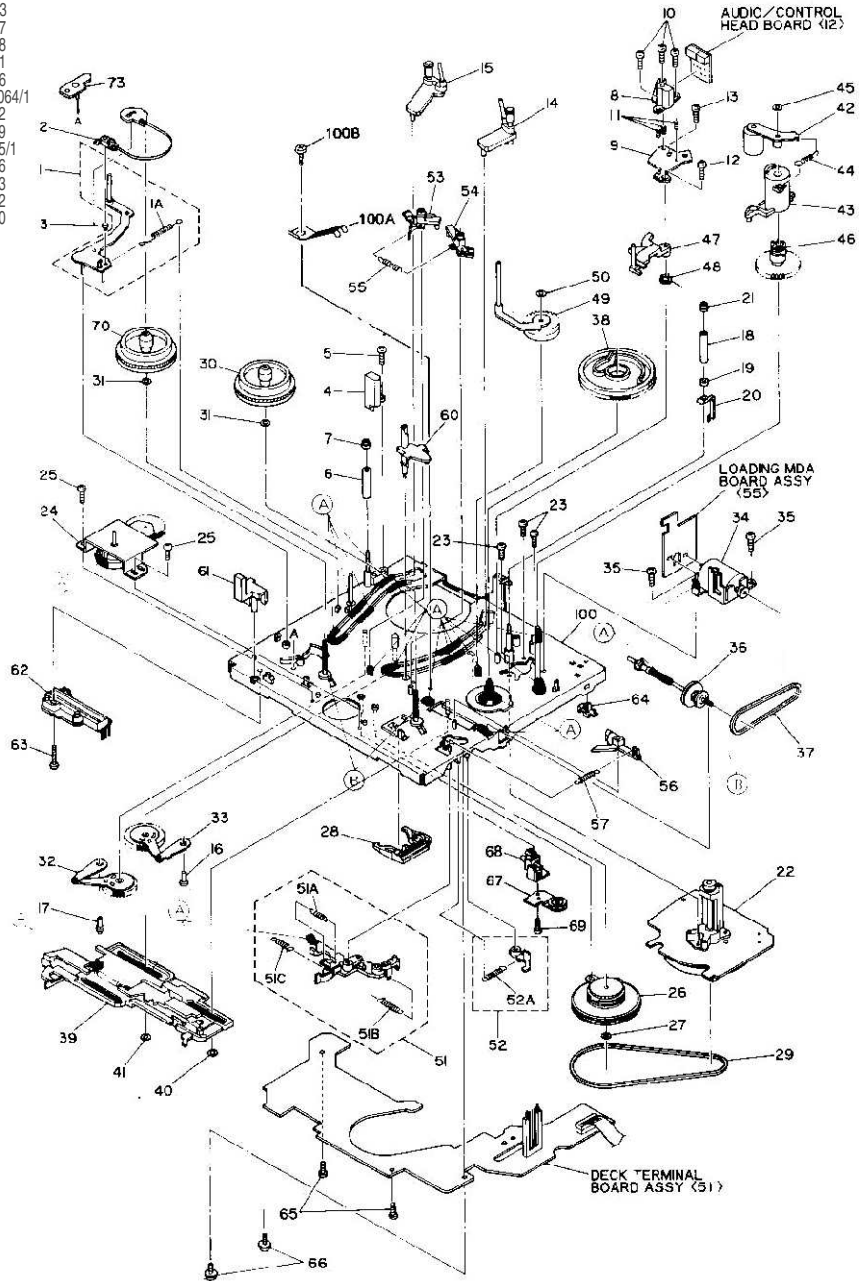


**VP-2253**  
 TAPE GUIDE (R) PU61103

**VR-1013**  
 VIDEO REMEN

VIDEODECK: JVC - 014

- 2 VP-0289
- 14 VP-2253
- 15 VP-2257
- 24 VP-0277
- 26 VP-0286
- 29 VR-1013
- 32 VP-2247
- 33 VP-2248
- 34 VP-2241
- 36 VP-2256
- 37 REMK-064/1
- 38 VP-2222
- 39 VP-2279
- 42 VP-0285/1
- 46 VP-2236
- 49 VP-2223
- 62 VP-0262
- 47 VP-2250



VIDEODECK:JVC - 015

 <p><b>VP-1164</b> CASS. HOUS RUBBER PART</p>	 <p><b>VP-2224</b> MODE SWITCH      PU61247</p>	 <p><b>VP-2240</b> CASSETTE HOUSE      PUS29499D</p>	 <p><b>VP-2223</b> HALF LOADING GEAR      PQ43570A1</p>
 <p><b>VP-2239</b> CLEANER ROLLER      PQ44840</p>	 <p><b>VP-0297</b> PINCH ROLLER      PQ43558B</p>	 <p><b>VP-2242</b> CASSETTE SENSOR      PU60629</p>	 <p><b>VP-1147</b> LOADING MOTOR</p>
 <p><b>VP-2221</b> CLUTCH UNIT      PU61245</p>	 <p><b>VP-2236</b> PINCH ROLLER CAM      PQ32416</p>	 <p><b>VP-2222</b> CONTROL CAM      PQ20822</p>	 <p><b>VP-2241</b> LOADING MOTOR UNIT      PQ43676B5</p>
 <p><b>VP-2220</b> IDLER GEAR UNIT      PU61246</p>	 <p><b>VP-0297/1</b> PINCH ROLLER UNIT      PQ43558B</p>	 <p><b>VP-2214</b> GEAR KIT(CAPST.MTR)PTU96031678C</p>	 <p><b>VP-2281</b> PLATE ASSY      PQ44581A6</p>
 <p><b>VP-2217</b> MAINTENANCE KIT      PTU 96019</p>	 <p><b>VP-2238</b> TENSION BAND      PQ45527A1</p>	 <p><b>VP-2250</b> GUIDE ARM ASSY      PQ43567A13</p>	 <p><b>VP-2280</b> REEL SENSOR      PS5705HR</p>

**VIDEODECK: JVC - 015**



**VP-2258**  
STOPPER-TAPE GUIDE (L) PQ43525



**VP-2248**  
TAKE UP LOAD. ARM PQ43542B



**VP-2256**  
WORM CLUTCH ASSY PQ43548A3



**VP-2282**  
STOPPER-TAPE GUIDE (R) PQ45895



**VP-2257**  
TAPE GUIDE (L) PU61151

REMEN  
šifra: dimenzije:  
**REMK - 064/1** 64.00 x 1.60



**VP-2247**  
SUPPLY LOAD. ARM PQ43537A



**VP-2253**  
TAPE GUIDE (R) PU61103

REMEN  
šifra: dimenzije:  
**REMT - 095/1** 95.8 x 1.25 x 2.00

**VR-1013**  
VIDEO REMEN

**VIDEODECK: JVC - 016**



**VP-0222**  
PINCH ROLLER PQ41125A



**VP-0266**  
CLUTCH MECHANISM PU56647A7

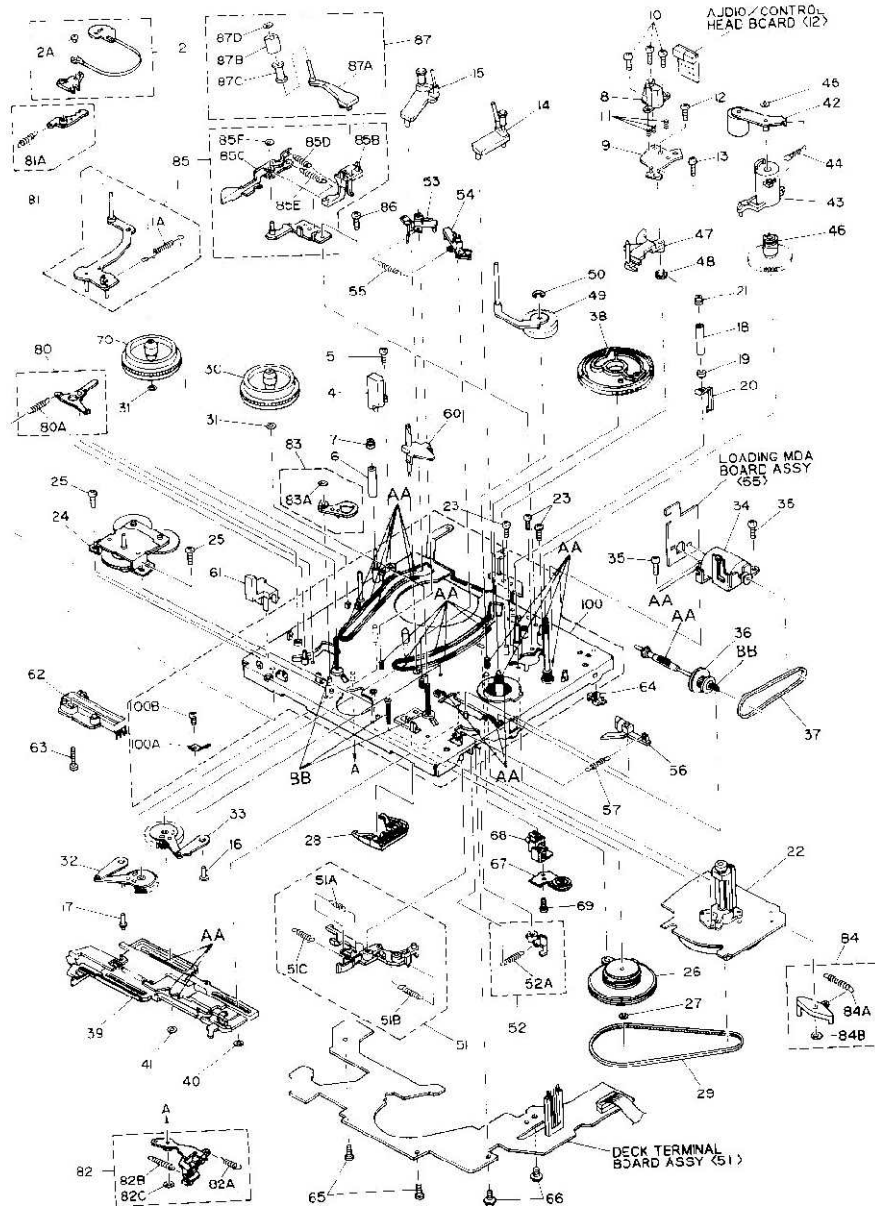


**VP-1106**  
SENSOR/LED GL450

**VS-0440**  
SET REMENA  
šifra: dimenzije:  
**REMK-019/2** 19.30 x 1.20 x 1.20  
**REMK-052/1** 52.50 x 1.60 x 1.60

VIDEODECK: JVC - 015

2	VP-2238	24	VP-2220	36	VP-2256	42	VP-0297/1
6	VP-2240	29	VR-1013	37	REMK-064/1	46	VP-2236
14	VP-2253	32	VP-2247	38	VP-2222	47	VP-2250
15	VP-2257	33	VP-2248	39	VP-2281	49	VP-2223
17	VP-2258	34	VP-2241	42	VP-0297	62	VP-2224
26	VP-2221	34	VP-1147				









**VIDEODECK: JVC - 018**

 <p><b>VP-2251/1</b> PINCH ROLLER UNIT PQ44130A</p>	 <p><b>VP-2242</b> CASSETTE SENSOR PU60629</p>	 <p><b>VP-1147</b> LOADING MOTOR</p>	<p>REMEN šifra: dimenzije: <b>REMT-080/2</b> 80.3 x 1.30 x 2.00</p>
 <p><b>VP-2252</b> TENSION BAND PQ33075A4</p>	 <p><b>VP-2214</b> GEAR KIT(CAPST.MTR)PTU96031678C</p>	 <p><b>VP-2241</b> LOADING MOTOR UNIT PQ43676B5</p>	<p>REMEN šifra: dimenzije: <b>REMK-063/3</b> 63.50 x 1.80</p> <p>REMEN šifra: dimenzije: <b>REMK-044/4</b> 44.50 x 1.20</p>
			<p><b>VP-2205</b> GEAR UNIT (KIT ONLY) PU61250</p>

**VIDEODECK: JVC - 019**

 <p><b>VP-0252</b> IDLER ARM PU52990</p>	 <p><b>VP-0221</b> PINCH ROLLER PU54739A</p>	 <p><b>VP-0274</b> TENSION BAND PU52993A</p>	 <p><b>VP-0246</b> LOADING MOTOR PU53039V</p>
			<p><b>VR-1001</b> VIDEO REMEN</p>

VIDEODECK: JVC - 112

 <p><b>VP-0229</b> CLUTCH MECHANISM PU55822A10</p>	 <p><b>VP-0272</b> TENSION BAND PQ40262E</p>	 <p><b>VP-0243</b> LOADING MOTOR PQ40090A</p>	 <p><b>VP-2244</b> REEL SENSOR PU61088</p>
 <p><b>VP-0253</b> IDLER ARM PU58645</p>	 <p><b>VP-0291</b> CAM GEAR (1) LIFT PQ30028</p>	 <p><b>VP-0292</b> LOADING SLIDE GEAR PQ40066</p>	 <p><b>VP-1106</b> SENSOR/LED GL450</p>
 <p><b>VP-2203</b> MAINTENANCE KIT PTU960782</p>	 <p><b>VP-0257</b> CASSETTE HOUSE PUS26805U</p>	 <p><b>VP-2255</b> REEL MOTOR BRACKET PQ41974A</p>	 <p><b>VP-2229</b> SUB BRAKE ASSY(SP)PQ42021A1</p>
 <p><b>VP-2233</b> MODE SWITCH PU60444</p>	 <p><b>VP-0241</b> CASSETTE MOTOR PQ40244A2</p>	 <p><b>VP-0260</b> REEL MOTOR (2 WIRES!)PU58636W</p>	 <p><b>VP-2230</b> SUB BRAKE ASSY(TU)PQ42037A2</p>
 <p><b>VP-0219/1</b> PINCH ROLLER UNIT PQ40252B4</p>	 <p><b>VP-2242</b> CASSETTE SENSOR PU60629</p>	 <p><b>VP-2243</b> REEL MOTOR (3 WIRES!)PU59926V</p>	 <p><b>VP-2231</b> SUPPLY LOADING ARM PQ41979A2</p>

**VIDEODECK: JVC - 112**



**VP-0281**  
SUPPLY MAIN BRAKE PQ42019A6



**VP-2232**  
TAKE UP LOADING ARMPQ41985A1



**VP-0280**  
TAKE UP TABLE (R) PU58638



**VP-2228**  
WORM ASSY PQ41998A



**VP-0279**  
SUPPLY TABLE (L) PU59250



**VP-0282**  
TAKE UP MAIN BRAKE PQ42020B



**VP-0293**  
UNLOADING SLIDE GEAR PQ40067

**VS-0400**  
SET REMENA

šifra: dimenzije:  
**VR-1010** 30.00 x 1.60 x 1.60  
**REMK-055/1** 55.00 x 1.60 x 1.60

**VIDEODECK: JVC - 211**



**VP-0229**  
CLUTCH MECHANISM8619219306



**VP-0251/1**  
PINCH ROLLER UNIT PQ42006B



**VP-0261**  
MODE MOTOR PQ41966A



**VP-0294**  
SECAM IDENT PU49057



**VP-0253**  
IDLER ARM PU58645



**VP-0271**  
TENSION BAND PQ41948A



**VP-0296**  
PHOTO INTERRUPTOR PU60271



**VP-1106**  
SENSOR/LED PU585282

**VIDEODECK: JVC - 211**

 <p><b>VP-2204</b> MAINTENANCE KIT PTU96079</p>	 <p><b>VP-1147</b> CASS.LOADING MOTOR</p>	 <p><b>VP-0260</b> REEL MOTOR PU58636W</p>	 <p><b>VP-2229</b> SUB BRAKE ASSY(SP)PQ42021A1</p>
 <p><b>VP-0298</b> MODE SELECT SWITCH PU58642</p>	 <p><b>VP-2227</b> CONTROL CAM GEAR PQ20250</p>	 <p><b>VP-2255</b> REEL MOTOR BRACKET PQ41974A</p>	 <p><b>VP-2230</b> SUB BRAKE ASSY(TU)PQ42037A2</p>
 <p><b>VP-0251</b> PINCH ROLLER PQ42006B</p>	 <p><b>VP-1147</b> LOADING MOTOR</p>	 <p><b>VP-2244</b> REEL SENSOR PU61088</p>	 <p><b>VP-2231</b> SUPPLY LOADING ARM PQ41979A2</p>
 <p><b>VP-0281</b> SUPPLY MAIN BRAKE PQ42019A3</p>	 <p><b>VP-2232</b> TAKE UP LOADING ARMPQ41985A1</p>	 <p><b>VP-0280</b> TAKE UP TABLE (R) PU58638</p>	<p><b>VS-0710</b> SET REMENA</p>
 <p><b>VP-0279</b> SUPPLY TABLE (L) PU59250</p>	 <p><b>VP-0282</b> TAKE UP MAIN BRAKE PQ42020A2</p>	 <p><b>VP-2228</b> WORM ASSY PQ41998A</p>	









VIDEODECK: JVC - 212

 <p><b>VP-0253</b> IDLER ARM      PU58645</p>	 <p><b>VP-0271</b> TENSION BAND      PQ41948A</p>	 <p><b>VP-1147</b> CASS. LOADING MOTOR</p>	 <p><b>VP-2244</b> REEL SENSOR      PU61088</p>
 <p><b>VP-2204</b> MAINTENANCE KIT      PTU96079</p>	 <p><b>VP-0283</b> CASSETTE HOUSE      PUS28277H</p>	 <p><b>VP-0261</b> LOADING MOTOR      PQ41996B</p>	 <p><b>VP-1106</b> SENSOR/LED      PU585282</p>
 <p><b>VP-2233</b> MODE SWITCH      PU60444</p>	 <p><b>VP-2242</b> CASSETTE SENSOR      PU60629</p>	 <p><b>VP-2255</b> REEL MOTOR BRACKET PQ41974A</p>	 <p><b>VP-2258</b> STOPPER-TAPE GUIDE (L) PQ43525</p>
 <p><b>VP-0251</b> PINCH ROLLER      PQ42006B</p>	 <p><b>VP-1147</b> CASS. LOADING MOTOR</p>	 <p><b>VP-0260</b> REEL MOTOR (2 WIRES) PU58636W</p>	 <p><b>VP-2229</b> SUB BRAKE ASSY (SP) PQ42021A1</p>
 <p><b>VP-0251/1</b> PINCH ROLLER UNIT      PQ42006B</p>	 <p><b>VP-2227</b> CONTROL CAM GEAR      PQ20250</p>	 <p><b>VP-2243</b> REEL MOTOR (3 WIRES) PU59926V</p>	 <p><b>VP-2230</b> SUB BRAKE ASSY (TU) PQ42037A2</p>

**VIDEODECK: JVC - 212**

 <p><b>VP-2231</b> SUPPLY LOADING ARM PQ41979A2</p>	 <p><b>VP-2232</b> TAKE UP LOADING ARM PQ41985A1</p>	 <p><b>VP-2257</b> TAPE GUIDE (L) PU61151</p>	<p><b>VS-0640</b> SET REMENA</p> <p>šifra:            dimenzije:</p> <p><b>REMK-018/1</b>    18.80 x 1.50 x 1.50</p> <p><b>REMK-047/2</b>    47.00 x 1.80 x 1.80</p>
 <p><b>VP-0281</b> SUPPLY MAIN BRAKE PQ42019A6</p>	 <p><b>VP-0282</b> TAKE UP MAIN BRAKE PQ42020B</p>	 <p><b>VP-2228</b> WORM ASSY PQ41998A</p>	
 <p><b>VP-0279</b> SUPPLY TABLE (L) PU59250</p>	 <p><b>VP-0280</b> TAKE UP TABLE (R) PU58638</p>	 <p><b>VP-2256</b> WORM WHEEL ASSY PQ43548A3</p>	

**VIDEODECK: JVC - 311**

 <p><b>VP-0229</b> CLUTCH MECHANISM 8619219306</p>	 <p><b>VP-0272</b> TENSION BAND PQ40262E</p>	 <p><b>VP-0296</b> PHOTO INTERRUPTOR PU60271</p>	 <p><b>VP-1106</b> SENSOR/LED PU585282</p>
 <p><b>VP-0253</b> IDLER ARM PU58645</p>	 <p><b>VP-0291</b> CAM GEAR (1) PQ30028</p>	 <p><b>VP-0260</b> REEL MOTOR PU58636W</p>	 <p><b>VP-2229</b> SUB BRAKE ASSY (SP) PQ42021A1</p>

**VIDEODECK: JVC - 311**



**VP-0298**  
MODE SELECT SWITCH PU58642



**VP-0241**  
CASSETTE MOTOR PQ40244A2



**VP-2255**  
REEL MOTOR BRACKET PQ41974A



**VP-2230**  
SUB BRAKE ASSY(TU)PQ42037A2



**VP-0218**  
PINCH ROLLER



**VP-0243**  
LOADING MOTOR PQ40090A



**VP-2244**  
REEL SENSOR PU61088



**VP-2231**  
SUPPLY LOADING ARM PQ41979A2



**VP-0218/1**  
PINCH ROLLER UNIT



**VP-0292**  
LOADING SLIDE GEAR PQ40066



**VP-0294**  
SECAM IDENT PU49057



**VP-0281**  
SUPPLY MAIN BRAKE PQ42019A3



**VP-0279**  
SUPPLY TABLE (L) PU59250



**VP-0282**  
TAKE UP MAIN BRAKE PQ42020A2



**VP-0293**  
UNLOADING SLIDE GEAR PQ40067

**VS-0400**  
SET REMENA

šifra: dimenzije:  
**VR-1010** 30.00 x 1.60 x 1.60  
**REMK-055/1** 55.00 x 1.60 x 1.60



**VP-2232**  
TAKE UP LOADING ARMPQ41985A1



**VP-0280**  
TAKE UP TABLE (R) PU58638



**VP-2228**  
WORM ASSY PQ41998A

VIDEODECK: JVC - 411



**VP-0229**  
CLUTCH MECHANISM8619219306



**VP-0219/1**  
PINCH ROLLER UNIT PQ40252B4



**VP-0292**  
LOADING SLIDE GEAR PQ40066



**VP-0294**  
SECAM IDENT PU49057



**VP-0253**  
IDLER ARM PU58645



**VP-0272**  
TENSION BAND PQ40262E



**VP-0296**  
PHOTO INTERRUPTOR PU60271



**VP-1106**  
SENSOR/LED PU585282



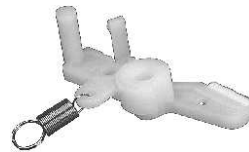
**VP-2203**  
MAINTENANCE KIT PTU960782



**VP-0291**  
CAM GEAR (1) PQ30028



**VP-0260**  
REEL MOTOR PU58636W



**VP-2229**  
SUB BRAKE ASSY(SP)PQ42021A1



**VP-0298**  
MODE SELECT SWITCH PU58642



**VP-0241**  
CASS. LOADING MOTORPQ40244A2



**VP-2255**  
REEL MOTOR BRACKET PQ41974A



**VP-2230**  
SUB BRAKE ASSY(TU)PQ42037A2



**VP-0219**  
PINCH ROLLER PQ40252B4



**VP-0243**  
LOADING MOTOR PQ40090A



**VP-2244**  
REEL SENSOR PU61088



**VP-2231**  
SUPPLY LOADING ARM PQ41979A2



VIDEODECK: JVC - 411



**VP-0281**  
SUPPLY MAIN BRAKE PQ42019A3



**VP-2232**  
TAKE UP LOADING ARMPQ41985A1



**VP-0280**  
TAKE UP TABLE (R) PU58638



**VP-2228**  
WORM ASSY PQ41998A



**VP-0279**  
SUPPLY TABLE (L) PU59250



**VP-0282**  
TAKE UP MAIN BRAKE PQ42020A2



**VP-0293**  
UNLOADING SLIDE GEAR PQ40067

**VS-0400**  
SET REMENA  
šifra: dimenzije:  
**VR-1010** 30.00 x 1.60 x 1.60  
**REMK-055/1** 55.00 x 1.60 x 1.60

**VIDEODECK: JVC - 503**



**VP-2239**  
CLEANER ROLLER PQ44840B



**VP-2267**  
TENSION BAND PQ34629



**VP-2277**  
DRIVE ARM ASSY PQ45943A



**VP-2275**  
TAKE UP CLUTCH GEAR PU61388



**VP-2270**  
IDLER UNIT PU61390



**VP-2271**  
CENTER GEAR UNIT PU61317



**VP-2273**  
MAIN BRAKE (SUPPLY) PQ45933A



**VP-2269**  
WORM CLUTCH ASSY PQ45917



**VP-2268**  
MODE SELECT SWITCH PU61322



**VP-2272**  
CONTROL CAM (BLACK) PQ11649



**VP-2274**  
MAIN BRAKE (TAKE UP) PQ45932B

**VS-1240**  
SET REMENA

šifra: dimenzije:  
**REMK-064/1** 64.00 x 1.60 x 1.60  
**REMK-093/1** 93.00 x 1.60 x 1.60



**VP-2265**  
PINCH ROLLER PQ42007



**VP-2266**  
CONTROL CAM (WHITE) PQ11468

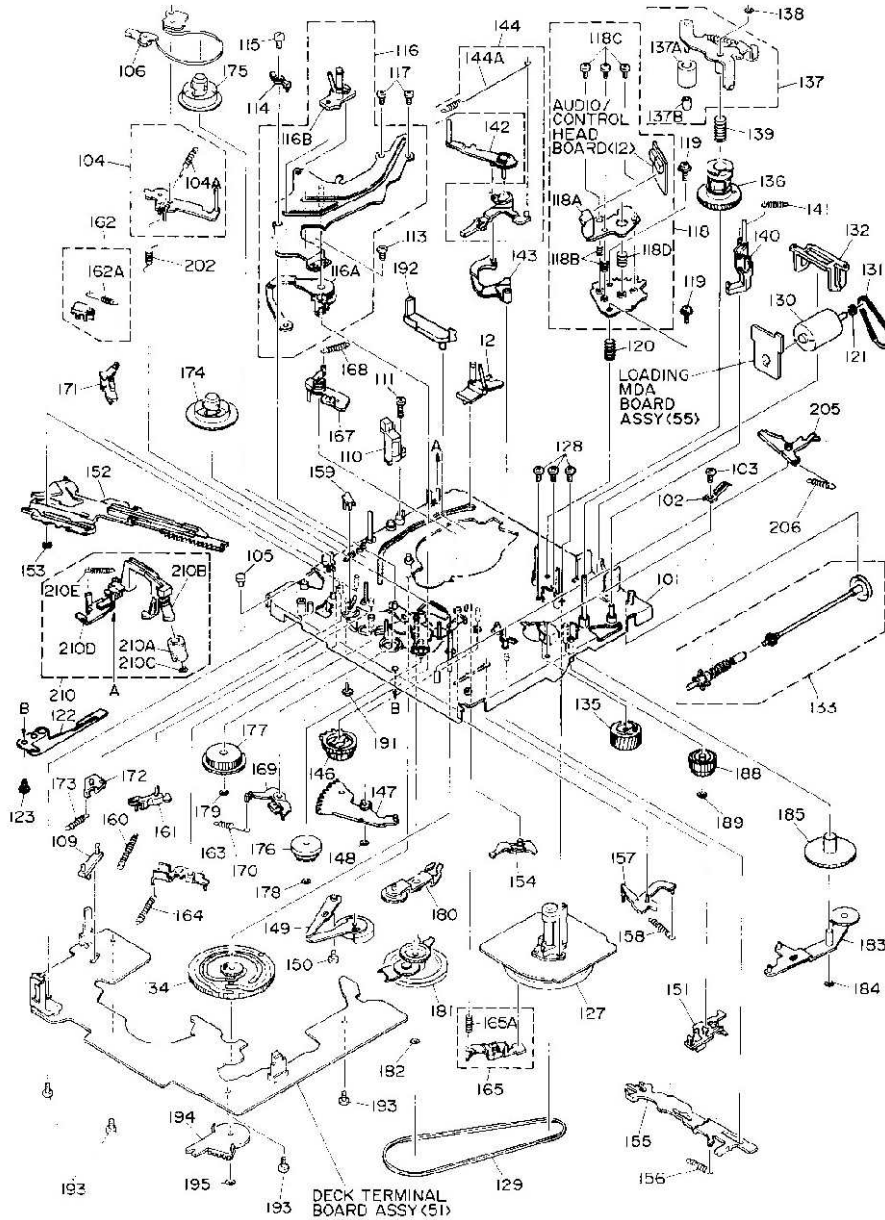


**VP-2276**  
SUPPLY CLUTCH GEAR PU61389

**VIDEODECK: JVC - 503**

38	VP-2272	137/A	VP-2220	177	VP-2276	194	VP-2268
106	VP-2267	167	VP-2274	180	VP-2270	210A	VP-2239
133	VP-2269	169	VP-2273	181	VP-2271		
134	VP-2266	176	VP-2275	183	VP-2277		

**5.3 MECHANISM ASSEMBLY <M4>**



**VIDEODECK: JVC - 505**



**VP-2288**  
 CLUTCH UNIT (SUPPLY) PQ46316A



**VP-2293**  
 MODE SWITCH PU6143211



**VP-2292**  
 CAPSTAN BRAKE UNIT PQ46356A



**VP-2291**  
 WORM GEAR UNIT PQ46395A



**VP-2289**  
 CLUTCH UNIT (TAKE UP) PQ46323A



**VP-2290**  
 PINCH ROLLER UNIT PQ46327A



**VP-2285**  
 MAIN BRAKE (SUPPLY) PQ46305B

**VR-1028**  
 VIDEO REMEN

**VR-1029**  
 VIDEO REMEN

**VR-1030**  
 VIDEO REMEN



**VP-2287**  
 IDLER UNIT PQ46312B



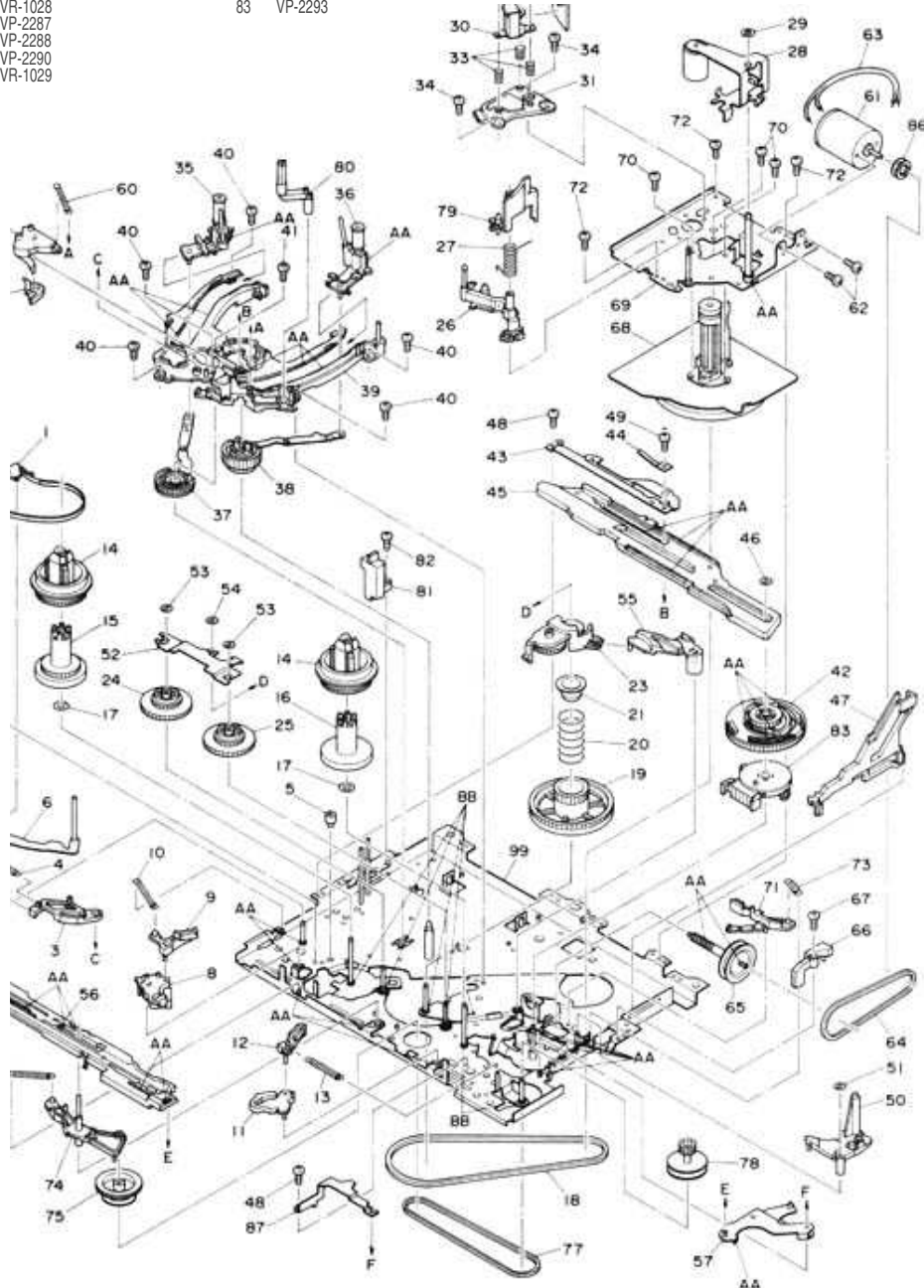
**VP-2284**  
 TENSION BAND PQ46298A



**VP-2286**  
 MAIN BRAKE (TAKE UP) PQ46308A

VIDEODECK: JVC - 505

- |    |         |    |         |
|----|---------|----|---------|
| 1  | VP-2284 | 65 | VP-2291 |
| 8  | VP-2285 | 71 | VP-2292 |
| 11 | VP-2286 | 77 | VR-1030 |
| 18 | VR-1028 | 83 | VP-2293 |
| 23 | VP-2287 |    |         |
| 24 | VP-2288 |    |         |
| 26 | VP-2290 |    |         |
| 64 | VR-1029 |    |         |



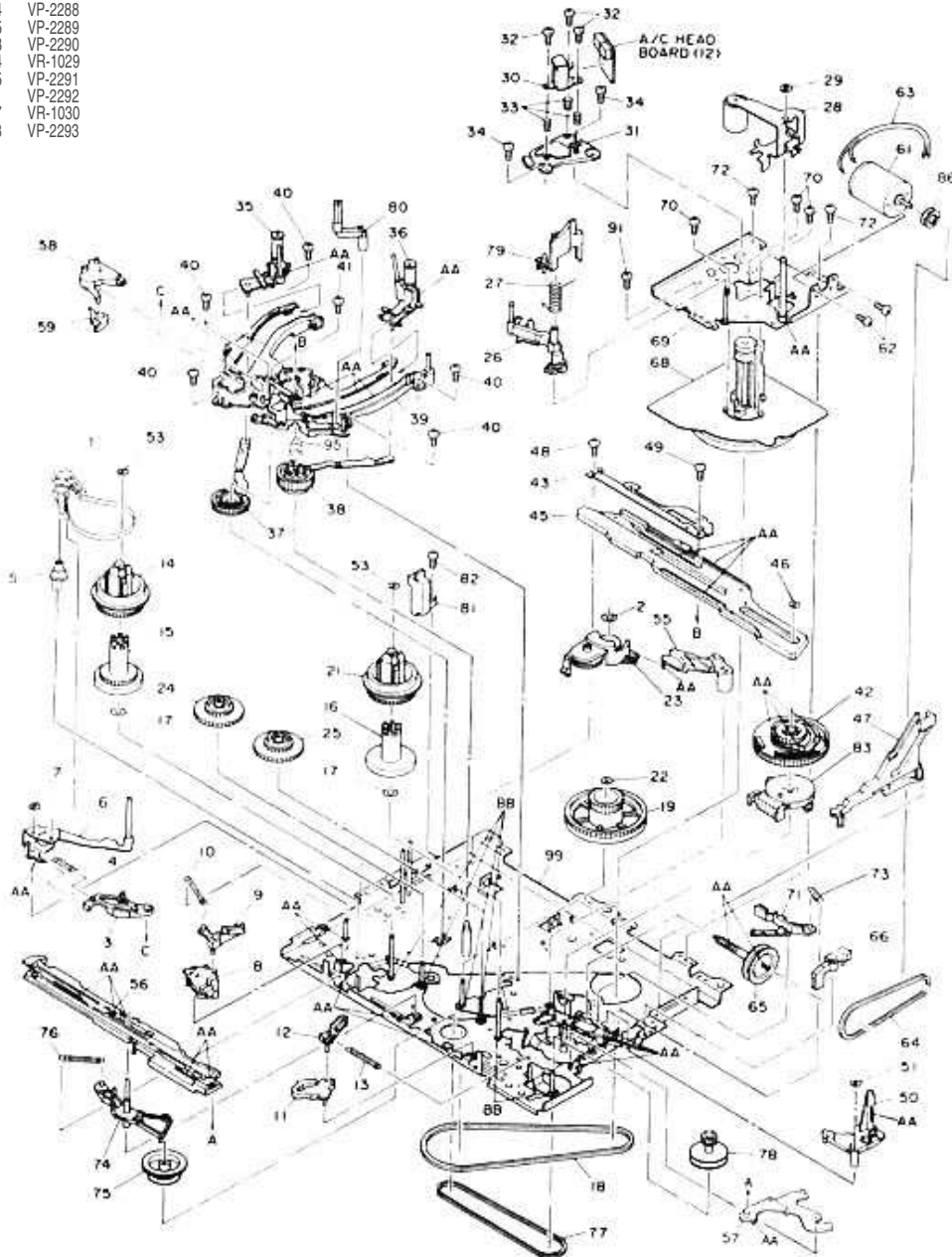
**VIDEODECK: JVC - 506**

 <p><b>VP-2288</b> CLUTCH UNIT (SUPPLY) PQ46316C</p>	 <p><b>VP-2293</b> MODE SWITCH PU6143211</p>	 <p><b>VP-2292</b> CAPSTAN BRAKE UNIT PQ46356C</p>	 <p><b>VP-2291</b> WORM GEAR UNIT PQ46395B</p>
 <p><b>VP-2289</b> CLUTCH UNIT (TAKE UP) PQ46323A</p>	 <p><b>VP-2290</b> PINCH ROLLER UNIT PQ46327A</p>	 <p><b>VP-2285</b> MAIN BRAKE (SUPPLY) PQ46305B</p>	<p><b>VR-1028</b> VIDEO REMEN</p>
 <p><b>VP-2287</b> IDLER UNIT PQ46312C</p>	 <p><b>VP-2294</b> TENSION BAND LP40006001B</p>	 <p><b>VP-2286</b> MAIN BRAKE (TAKE UP) PQ46308A</p>	<p><b>VR-1029</b> VIDEO REMEN</p> <p><b>VR-1030</b> VIDEO REMEN</p>

**VIDEODECK: MIT - 001**

 <p><b>VP-0216</b> PINCH ROLLER 522C055010</p>	 <p><b>VP-0311</b> LOADING MOTOR 288P029010</p>	 <p><b>VP-0314</b> REEL TAKE UP MOTOR 288P028020</p>	 <p><b>VP-0307</b> TAKE UP TAPE GUIDE 948C018060</p>
 <p><b>VP-0315</b> LAMP 253P022010</p>	 <p><b>VP-0309</b> REEL TABLE (SUP+TU) 522C053010</p>	 <p><b>VP-0306</b> SUPPLY TAPE GUIDE 948C018050</p>	<p><b>VS-0410</b> SET REMENA</p> <p>šifra: dimenzije:</p> <p><b>REMK-030/4</b> 30.50 x 1.00 x 1.00</p> <p><b>REMK-033/2</b> 33.50 x 1.00 x 1.00</p> <p><b>REMK-060</b> 60.50 x 1.15 x 5.00</p> <p><b>REMK-065/1</b> 65.00 x 1.00 x 1.00</p> <p><b>REMK-067/1</b> 67.00 x 1.00 x 1.00</p>

- 1 VP-2294
- 8 VP-2285
- 11 VP-2286
- 18 VR-1028
- 23 VP-2287
- 24 VP-2288
- 25 VP-2289
- 28 VP-2290
- 64 VR-1029
- 65 VP-2291
- 71 VP-2292
- 77 VR-1030
- 83 VP-2293



**VIDEODECK: MIT - 002**



**VP-0216**  
PINCH ROLLER 522C055010



**VP-0439**  
LED / SENSOR LN55



**VP-0326**  
SUPPLY TABLE MOTOR 288P028060

**VS-0420**  
SET REMENA

šifra:	dimenzije:
<b>REMK-053/3</b>	53.50 x 1.90 x 1.90
<b>REMK-061/1</b>	61.50 x 1.00 x 1.00
<b>REMK-072/2</b>	72.50 x 1.80 x 1.80
<b>REMT-087/4</b>	87.50 x 0.91 x 6.00



**VP-0328**  
CASSETTE HOUSE 590A126010



**VP-0344**  
LOADING ARM SUPPLY 525B00501



**VP-0323**  
SUPPLY TABLE (L) 522C063010

**VP-0321**  
LOADING GEAR 641C245020



**VP-0324**  
CASSETTE HOUSE 590B798010



**VP-1147**  
LOADING MOTOR 288P067010



**VP-0327**  
TAKE UP TABLE MOTOR 288P034010



**VP-0320**  
GUIDE ROLLER 522B007010



**VP-1106**  
SENSOR/LED GL450



**VP-0322**  
TAKE UP TABLE (R) 522C008030



VIDEODECK: MIT - 003

 <p><b>VP-0304</b> IDLER FL 641B10101</p>	 <p><b>VP-0384</b> TENSION BAND 592C03701</p>	 <p><b>VP-0355</b> GEAR 2 641D71101</p>	 <p><b>VP-0344</b> LOADING ARM SUPPLY 525B00501</p>
 <p><b>VP-0313</b> MODE SELECT SWITCH 439P00701</p>	 <p><b>VP-0319</b> ARM GEAR LOAD 635C05301</p>	 <p><b>VP-0334</b> GEAR FL-T 641D79801</p>	 <p><b>VP-0337</b> LOADING GEAR SP 641C38301</p>
 <p><b>VP-0302</b> PINCH ROLLER 522C05502</p>	 <p><b>VP-0386</b> CAM GEAR A 641B09301</p>	 <p><b>VP-0335</b> GEAR FR 641D79701</p>	 <p><b>VP-1147</b> LOADING MOTOR 288P067010</p>
 <p><b>VP-0303</b> PULLEY IDLER 641C34301</p>	 <p><b>VP-0387</b> CAM GEAR B 641B09401</p>	 <p><b>VP-0336</b> GEAR TW 641D79901</p>	 <p><b>VP-1106</b> SENSOR/LED GL450</p>
 <p><b>VP-0301</b> REEL IDLER 522P00201</p>	 <p><b>VP-0340</b> CASSETTE HOUSE 590A14002</p>	 <p><b>VP-0333</b> LOADING ARM FD 641C38201</p>	 <p><b>VP-0339</b> SUPPLY TABLE (L) 522A00101</p>

**VIDEODECK: MIT - 003**



**VP-0375**  
TAKE UP TABLE (R) 522A00102



**VP-0331**  
TAPE GUIDE SUPPLY 635B02701

**VS-0420**  
SET REMENA

šifra:	dimenzije:
<b>REMK-053/3</b>	53.50 x 1.90 x 1.90
<b>REMK-061/1</b>	61.50 x 1.00 x 1.00
<b>REMK-072/2</b>	72.50 x 1.80 x 1.80
<b>REMT-087/4</b>	87.50 x 0.91 x 6.00

**VP-0304/B**  
TYRE FOR VP-0304

**VP-0356**  
GEAR 1 641D71001

**VIDEODECK: MIT - 005**

**VS-0890**  
SET REMENA

šifra:	dimenzije:
<b>REMK-031/1</b>	31.20 x 2.00 x 2.00
<b>REMK-031/1</b>	31.20 x 2.00 x 2.00
<b>REMK-075/2</b>	75.50 x 1.90 x 1.90



**VP-0363**  
CLUTCH (CASS) 621D220010



**VP-0368**  
CASSETTE HOUSE 590A189010



**VP-1147**  
LOADING MOTOR 288P067010



**VP-0351**  
TAPE GUIDE TAKE UP 635B048010



**VP-0389**  
MODE SELECT SWITCH 439P011020



**VP-0360**  
GEAR FL-S 621D174010



**VP-0385**  
PULLEY IDLER 641C63601



**VP-0371**  
UNIT GEAR IDLER 522B020020



**VP-0302**  
PINCH ROLLER 522C055030



**VP-0359**  
GEAR FL-T 621D173010



**VP-0398**  
REEL DRIVE KIT 948B122030



**VP-0353**  
UNIT GUM IDLER 522B017010



**VP-0383**  
TENSION BAND 591B271010

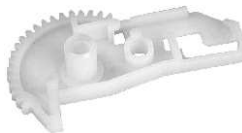


**VP-0358**  
GEAR T-L 641C531010



**VP-1106**  
SENSOR / LED GL450

**VK-0203**  
MAINTENANCE KIT



**VP-0365**  
ARM FL TU2 (CASS) 641C542010



**VP-0352**  
GUIDE ROLLER 522B016020

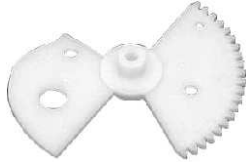


**VP-0350**  
TAPE GUIDE SUPPLY 635B049010

**VS-0890**  
SET REMENA



**VP-0363**  
CLUTCH (CASS) 621D220010



**VP-0357**  
CAM TENS GEAR 641C527010



**VP-1147**  
LOADING MOTOR 288P067010



**VP-0366**  
TAKE UP TABLE (R) 522P006020



**VP-0389**  
MODE SELECT SWITCH 439P011040



**VP-0360**  
GEAR FL-S 621D174010



**VP-0385**  
PULLEY IDLER 641C525010



**VP-0350**  
TAPE GUIDE SUPP. 635B049010



**VP-0302**  
PINCH ROLLER 522C055030



**VP-0359**  
GEAR FL-T 621D173010



**VP-0398**  
REEL DRIVE KIT 948B122030



**VP-0351**  
TAPE GUIDE TAKE UP 635B048010



**VP-0383**  
TENSION BAND 591B271010



**VP-0358**  
GEAR T-L 641C531010



**VP-1106**  
SENSOR / LED GL450



**VP-0354**  
UNIT GEAR IDLER 522B018010



**VP-0365**  
ARM FL TU2 (CASS) 641C542010



**VP-0352**  
GUIDE ROLLER 522B016020



**VP-0366**  
SUPPLY TABLE (L) 522P006010

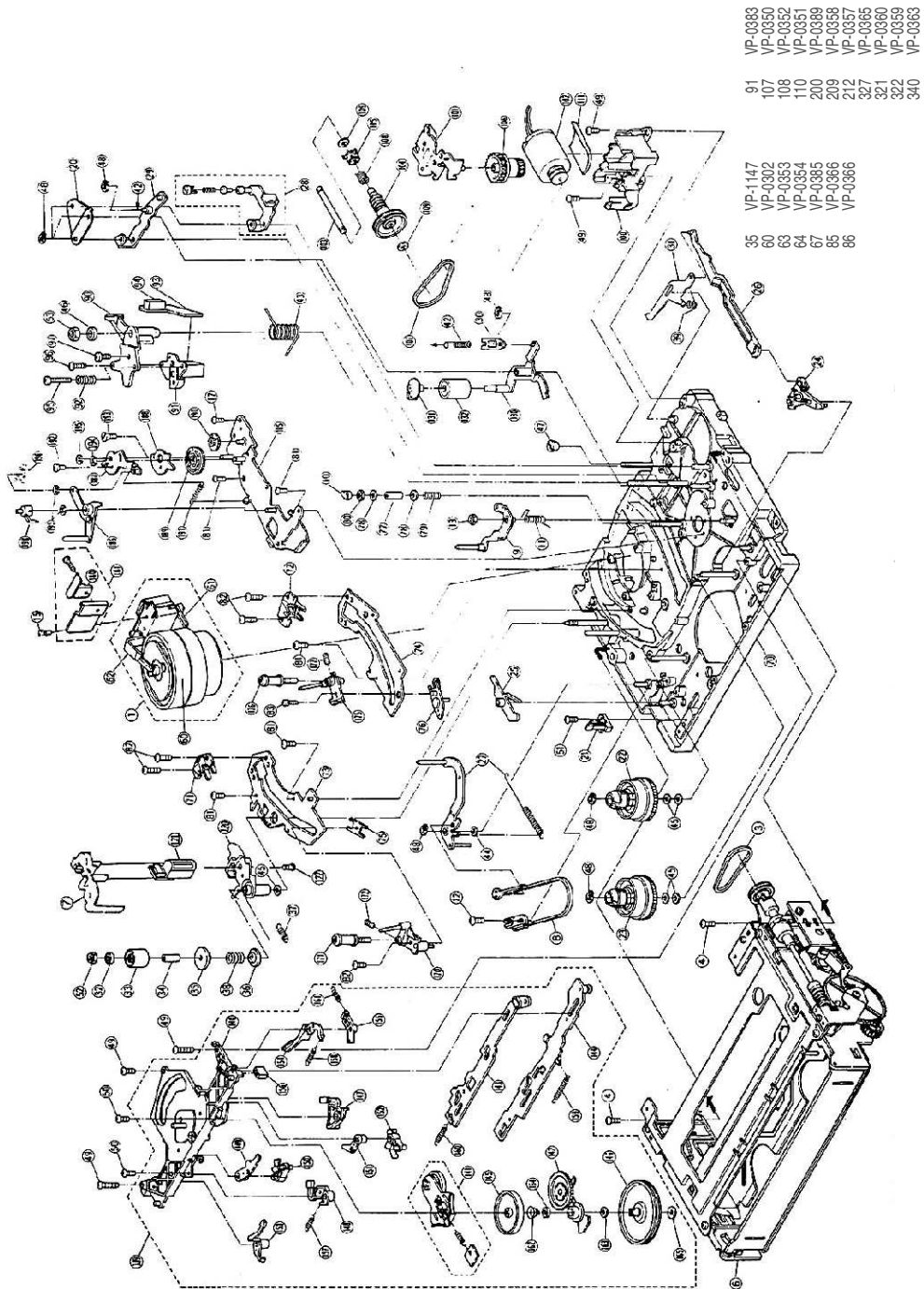


**VP-0353**  
UNIT GUM IDLER 522B017010

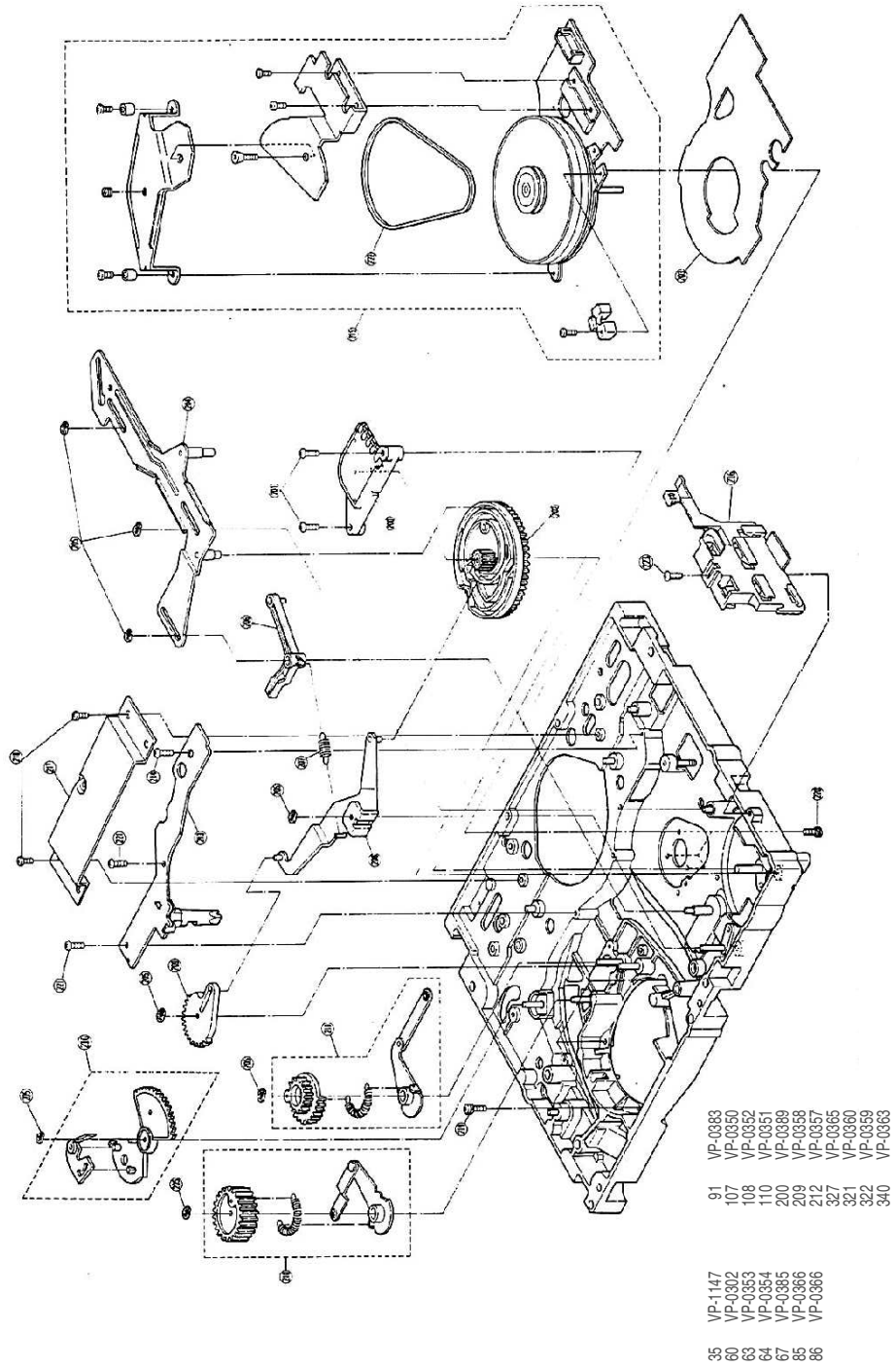
**VIDEODECK: MIT - 006**

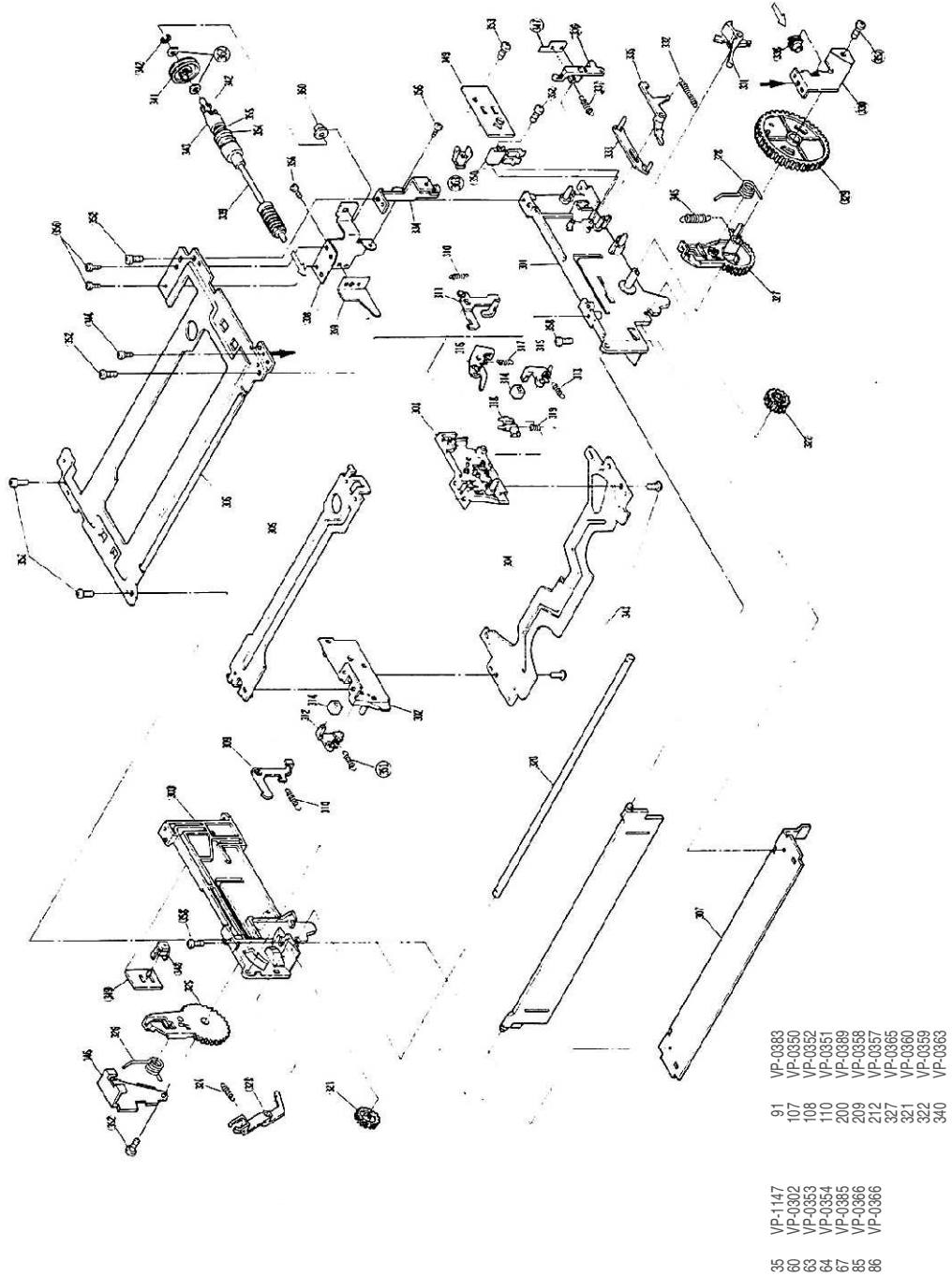
 <p><b>VP-2302</b> CLEANING ROLLER 621C033010</p>	 <p><b>VP-2301</b> ARM GEAR TU G2 641C991010</p>	 <p><b>VP-0394</b> UNIT GEAR REEL 522C078040</p>	<p><b>VP-0391/2</b> PINCH ROLLER KIT 789C007020</p> <hr/> <p><b>VP-0391/1</b> PINCH ROLLER UNIT 948D020010</p> <hr/> <p><b>VP-0391/1A</b> PINCH ROLLER UNIT 948D020010</p> <hr/> <p><b>VP-2303</b> CASSETTE HOUSE 590A256020</p> <hr/>
 <p><b>VP-0396</b> MODE SWITCH 439P019010</p>	 <p><b>VP-1147</b> LOADING MOTOR 288P067010</p>	 <p><b>VP-0397</b> UNIT GEAR REELS 522C083010</p>	
 <p><b>VP-2307</b> PLASTIC CAPST. WHEEL 999D126010</p>	 <p><b>VP-1106</b> SENSOR / LED</p>	 <p><b>VP-0393</b> UNIT REEL GEAR 522C078030</p>	
 <p><b>VP-0395</b> TENSION BAND 591B552010</p>	 <p><b>VP-0392</b> UNIT GEAR IDLER 522C077020</p>	<p>REMEN šifra: dimenzije: <b>REMK - 015/1</b> 15.20 x 1.00</p> <hr/> <p><b>VR-1012</b> VIDEO REMEN</p> <hr/> <p><b>VP-0391/3</b> PINCH ROLLER KIT 789C014030</p>	

VIDEODECK: MIT - 005



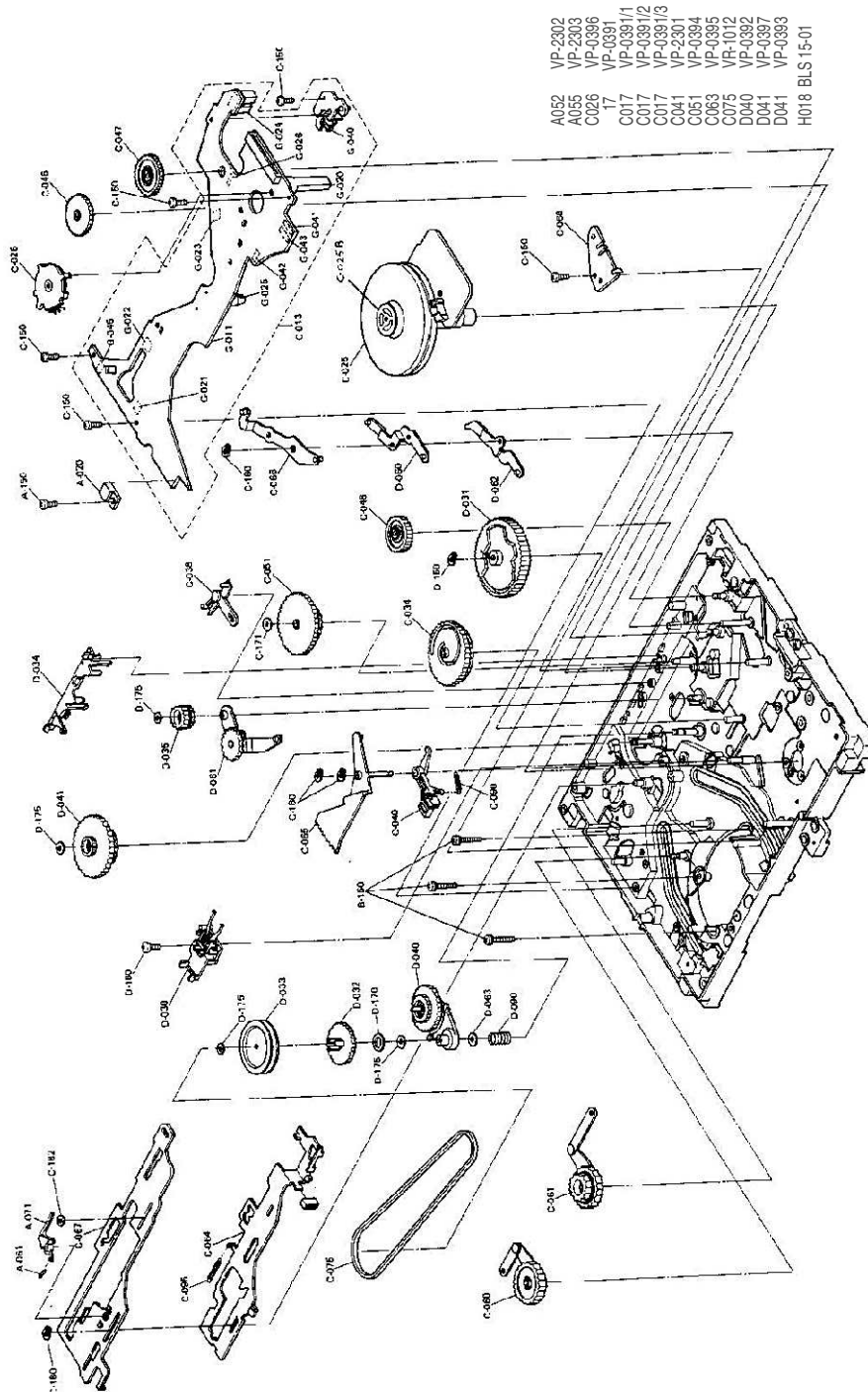
- |         |     |
|---------|-----|
| VP-0383 | 91  |
| VP-0350 | 107 |
| VP-0352 | 108 |
| VP-0351 | 110 |
| VP-0389 | 200 |
| VP-0358 | 209 |
| VP-0357 | 212 |
| VP-0365 | 327 |
| VP-0360 | 321 |
| VP-0359 | 322 |
| VP-0363 | 340 |
- 
- |         |    |
|---------|----|
| VP-1147 | 35 |
| VP-0302 | 60 |
| VP-0353 | 63 |
| VP-0354 | 64 |
| VP-0395 | 67 |
| VP-0366 | 85 |
| VP-0366 | 86 |







VIDEODECK: MIT - 006



VIDEODECK: MIT - 103

 <p><b>VP-0304</b> IDLER FL 641B10101</p>	 <p><b>VP-0384</b> TENSION BAND 592C03701</p>	 <p><b>VP-0355</b> GEAR 2 641D71101</p>	 <p><b>VP-0344</b> LOADING ARM SUPPLY 525B00501</p>
 <p><b>VP-0313</b> MODE SELECT SWITCH 439P00701</p>	 <p><b>VP-0319</b> ARM GEAR LOAD 635C05301</p>	 <p><b>VP-0334</b> GEAR FL-T 641D79801</p>	 <p><b>VP-0337</b> LOADING GEAR SP 641C38301</p>
 <p><b>VP-0302</b> PINCH ROLLER 522C05502</p>	 <p><b>VP-0386</b> CAM GEAR A 641B09301</p>	 <p><b>VP-0335</b> GEAR FR 641D79701</p>	 <p><b>VP-1147</b> LOADING MOTOR 288P067010</p>
 <p><b>VP-0303</b> PULLEY IDLER 641C34301</p>	 <p><b>VP-0387</b> CAM GEAR B 641B09401</p>	 <p><b>VP-0336</b> GEAR TW 641D79901</p>	 <p><b>VP-1106</b> SENSOR/LED GL450</p>
 <p><b>VP-0301</b> REEL IDLER 522P00201</p>	 <p><b>VP-0345</b> CASSETTE HOUSE 590A140025</p>	 <p><b>VP-0333</b> LOADING ARM FD 641C38201</p>	 <p><b>VP-0339</b> SUPPLY TABLE (L) 522A00101</p>

**VIDEODECK: MIT - 103**



**VP-0375**  
TAKE UP TABLE (R) 522A00102



**VP-0331**  
TAPE GUIDE SUPPLY 635B02701

**VS-0590**  
SET REMENA

šifra: dimenzije:  
**REMK-057/2** 57.00 x 1.80 x 1.80  
**REMK-072/2** 72.50 x 1.80 x 1.80  
**REMT-087/4** 87.50 x 0.91 x 6.00

**VP-0304/B**  
TYRE FOR VP-0304

**VP-0356**  
GEAR I 641D71001

**VIDEODECK: NEC - 001**



**VP-0708/1**  
PINCH ROLLER UNIT 16171641



**VP-0808**  
REEL MOTOR 79502018

**VS-0550**  
SET REMENA

šifra: dimenzije:  
**REMK-026/1** 26.00 x 1.50 x 1.50  
**REMK-079/1** 79.50 x 1.50 x 1.50  
**REMT-090/1** 90.00 x 1.20 x 1.20  
**REMT-090/2** 90.00 x 0.55 x 6.00

**VIDEODECK: NEC - 002**



**VP-1052**  
IDLER ASSY 16180801



**VP-1055**  
TENSION BAND 016177851



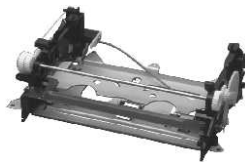
**VP-1147**  
LOADING MOTOR



**VP-1106**  
SENSOR / LED GL450



**VP-1051**  
PINCH ROLLER 16183653



**VP-1057**  
CASSETTE HOUSE 16177653



**VP-1053**  
REEL DRIVE ASSY 16184371

**VS-0910**  
SET REMENA

šifra: dimenzije:  
**REMK-019/3** 19.30 x 1.50 x 1.50  
**VR-1010** 30.00 x 1.60 x 1.60  
**REMK-070/3** 70.50 x 2.00 x 2.00

**VIDEODECK: NEC - 003**

 <p><b>VP-1052</b> IDLER ASSY 16180801</p>	 <p><b>VP-1055</b> TENSION BAND 16183551</p>	 <p><b>VP-1147</b> LOADING MOTOR</p>	 <p><b>VP-1106</b> SENSOR / LED 36904255</p>
 <p><b>VP-1051</b> PINCH ROLLER 16183653</p>	 <p><b>VP-1057</b> CASSETTE HOUSE 16177653</p>	 <p><b>VP-1053</b> REEL DRIVE ASSY 16180811</p>	<p><b>BV-0910</b> BELTS</p> <p>šifra: dimenzije:</p> <p><b>REMK-019/3</b> 19.30 x 1.50 x 1.50</p> <p><b>VR-1010</b> 30.00 x 1.60 x 1.60</p> <p><b>REMK-070/3</b> 70.50 x 2.00 x 2.00</p>

**VIDEODECK: NEC - 004**

 <p><b>VP-1059</b> CLUTCH ASSY</p>	 <p><b>VP-1058</b> PINCH ROLLER</p>	 <p><b>VP-1057</b> CASSETTE HOUSE 16183724</p>	 <p><b>VP-1147</b> LOADING MOTOR</p>
 <p><b>VP-1061</b> MODE SWITCH</p>	 <p><b>VP-1060</b> TENSION BAND</p>	 <p><b>VP-1106</b> LED</p>	<p><b>BV-1320</b> BELTS</p> <p>šifra: dimenzije:</p> <p><b>REMK-019/3</b> 19.30 x 1.50 x 1.50</p> <p><b>VR-1010</b> 30.00 x 1.60 x 1.60</p> <p><b>REMK-055/3</b> 55.00 x 1.60 x 1.60</p>

**VIDEODECK: NEC - 101**



**VP-0708/1**  
PINCH ROLLER UNIT 16171641



**VP-0808**  
REEL MOTOR 79502018

**VS-0560**  
SET REMENA

šifra: dimenzije:  
**REMK-022/1** 22.50 x 1.30 x 1.30  
**REMK-065/1** 65.00 x 1.00 x 1.00  
**REMT-090/2** 90.00 x 0.55 x 6.00

**VIDEODECK: ORI - 001**



**VP-1320**  
MODE SWITCH 0510331001



**VP-1136**  
TENSION BAND 850A600005



**VP-1147**  
LOADING MOTOR



**VP-0660**  
SPRING FOR VP-0601



**VP-0612**  
PINCH ROLLER 850A400001



**VP-1101**  
CASSETTE LAMP 08663R1007



**VP-0438**  
OPTO COUPLER 0000100010

**VS-0500**  
SET REMENA

šifra: dimenzije:  
**REMK-034/2** 34.50 x 2.00 x 2.00  
**REMK-045/1** 45.50 x 1.00 x 1.00  
**REMT-079/1** 79.00 x 0.50 x 6.00



**VP-0601**  
REEL IDLER

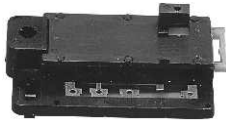


**VP-1308**  
CASSETTE LOAD. MOTOR 1596958002



**VP-0616**  
REEL MOTOR 1592300002

VIDEODECK: ORI - 002



**VP-1316**  
MODE SWITCH 0510331006



**VP-1319**  
CAM GEAR 850P300038



**VP-0622**  
REEL MOTOR 1592300005

**BV-0650**  
BELTS

Šifra: dimenzije:  
**REM-K040/2** 40.50 x 1.00 x 1.00  
**REMT-079/1** 79.00 x 0.50 x 6.00



**VP-0613**  
PINCH ROLLER 850A400018



**VP-1308**  
CASSETTE LOAD. MOTOR 1596958002



**VP-1106**  
SENSOR/LED 0021G25010

**VP-1303**

RECORD SAFETY SWITCH 0550122001



**VP-0601**  
REEL IDLER



**VP-1144**  
LOADING MOTOR (FLAT)



**VP-0438**  
SIDE PLATE SENSOR 0000100010



**VP-0602**  
REEL IDLER

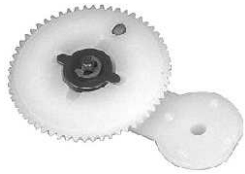


**VP-1147**  
LOADING MOTOR (ROUND) 1596958001



**VP-0660**  
SPRING FOR VP-0601

## VIDEODECK: ORI - 003

**VP-1125**  
CLUTCH ASSY 850A200005**VP-1325**  
TENSION BAND 850A600045**VP-1147**  
LOADING MOTOR**VS-0660**  
SET REMENAšifra: dimenzije:  
**REMK-021/4** 21.50 x 2.00 x 2.00  
**REMK-069/2** 69.00 x 2.00 x 2.00**VP-1124**  
IDLER ARM 850A200004**VP-1319**  
CAM GEAR 850P600141**VP-1301**  
PHOTO COUPLER 0002G00020**VP-1324**  
MODE SWITCH 0520343002**VP-1147**  
CASS. LOADING MOTOR**VP-1310**  
POST LIMITER 850A600039**VP-0613**  
PINCH ROLLER 850A400044**VP-1309**  
GUIDE ROLLER 850A400056**VP-1106**  
SENSOR/LED 0021G25010

VIDEODECK: ORI - 004



**VP-1314**  
CLUTCH ASSY 850A200027



**VP-1324**  
ROTARY SWITCH 0520244002



**VP-1106**  
CASSETTE/LED



**VP-1147**  
LOADING MOTOR



**VP-1315**  
IDLER ASSY 850A200026



**VP-1311**  
CAM GEAR 850P600304



**VP-1313**  
CLUTCH GEAR (CASS.)850P900357

REMEN

šifra: dimenzije:  
**REMK - 028/2** 28.50 x 1.80

**VS-1330**  
SET REMENA

šifra: dimenzije:  
**REMK-028/2** 28.50 x 1.80 x 1.80  
**REMK-027/3** 29.00 x 2.00 x 2.00  
**REMK-071/1** 71.50 x 2.00 x 2.00



**VP-1321/1**  
PINCH ROLLER UNIT 850A400073



**VP-1329**  
CASSETTE HOUSE A45202A650



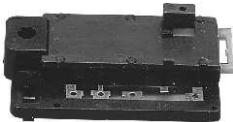
**VP-1312**  
LINK GEAR (R) 850P900356

**VP-1321**  
PINCH ROLLER 850A400073

**VP-1326**  
TENSION BAND 850A600093



VIDEODECK: ORI - 102



**VP-1316**  
MODE SWITCH 0510331006



**VP-1319**  
CAM GEAR 850P300038



**VP-0622**  
REEL MOTOR 1592300005

**VS-0510**  
SET REMENA

šifra: dimenzije:  
**REMK-023/1** 23.50 x 0.70 x 0.70  
**REMK-059/1** 59.00 x 1.00 x 1.00  
**REMT-079/1** 79.00 x 0.50 x 6.00



**VP-0613**  
PINCH ROLLER 850A400018



**VP-1308**  
CASS. LOADING MOTOR 1596958002



**VP-1106**  
SENSOR/LED 0021G25010

**VP-1303**  
RECORD SAFETY SWITCH 0550122001



**VP-0602**  
REEL IDLER



**VP-1144**  
LOADING MOTOR (FLAT)



**VP-0438**  
SIDE PLATE SENSOR 0000100010



**VP-0601**  
REEL IDLER



**VP-1147**  
LOADING MOTOR (ROUND) 1596958001



**VP-0660**  
SPRING FOR VP-0601

VIDEODECK: ORI - 103



**VP-1125**  
CLUTCH ASSY 850A200005



**VP-1325**  
TENSION BAND 850A600045



**VP-1147**  
LOADING MOTOR

**VS-0660**  
SET REMENA

šifra: dimenzije:  
**REMK-021/4** 21.50 x 2.00 x 2.00  
**REMK-069/2** 69.00 x 2.00 x 2.00



**VP-1124**  
IDLER ARM 850A200004



**VP-1319**  
CAM GEAR 850P600141



**VP-1301**  
PHOTO COUPLER 0002G00020



**VP-1302**  
MODE SWITCH 0520343001



**VP-1147**  
CASS. LOADING MOTOR



**VP-1310**  
POST LIMITER 850A600039



**VP-0613**  
PINCH ROLLER 850A400044



**VP-1309**  
GUIDE ROLLER 850A400056



**VP-1106**  
SENSOR/LED 0021G25010

**VIDEODECK: ORI - 501**



**VP-1315**  
IDLER ASSY 850A200038



**VP-1311**  
CAM GEAR 850P600304



**VP-1312**  
LINK GEAR (R) 850P900431

**VS-1330**  
SET REMENA

šifra:	dimenzije:
<b>REMK-028/2</b>	28.50 x 1.80 x 1.80
<b>REMK-027/3</b>	29.00 x 2.00 x 2.00
<b>REMK-071/1</b>	71.50 x 2.00 x 2.00

**VP-1330**  
CLUTCH ASSY 850A200043



**VP-1333**  
ROTARY SWITCH 0520U44002



**VP-1313**  
CLUTCH GEAR (CASS.)850P900432

**VP-1321**  
PINCH ROLLER 850A400073

**VIDEODECK: PAN - 002**



**VSS0048**  
MODE SELECT SWITCH VSS0048

**VS-0120**  
SET REMENA

šifra:	dimenzije:
<b>REMK-100/1</b>	100.00 x 2.00 x 2.00
<b>REMT-101/1</b>	101.00 x 0.63 x 8.00
<b>REMK-107/1</b>	107.00 x 2.00 x 2.00
<b>REMK-027/1</b>	27.00 x 1.00 x 1.00
<b>REMK-035/4</b>	35.50 x 1.80 x 1.80
<b>REMK-039/1</b>	39.50 x 1.00 x 1.00
<b>REMK-050/2</b>	50.50 x 1.00 x 1.00
<b>REMK-072/1</b>	72.00 x 1.00 x 1.00

**VIDEODECK: PAN - 004**

**VS-0210**  
SET REMENA

šifra:	dimenzije:
<b>REMT-101/1</b>	101.00 x 0.63 x 8.00
<b>REMK-107/1</b>	107.00 x 2.00 x 2.00
<b>REMK-032</b>	32.00 x 1.20 x 1.20
<b>REMK-035/4</b>	35.50 x 1.80 x 1.80
<b>REMK-056/1</b>	56.50 x 2.00 x 2.00
<b>REMK-060/2</b>	60.50 x 1.00 x 1.00

VIDEODECK: PAN - 001



**VP-0413**  
FF IDLER VXPO245



**VP-0409**  
PLAY IDLER VXPO243



**VP-0438**  
OPTO COUPLER PN150



**VSS0042**  
SWITCH



**VP-0412**  
IDLER TYRE VXPO0404



**VP-0414**  
REWIND ROLLER VXPO292



**VP-0437**  
PULLEY VXPO279

**VS-0780**  
SET REMENA

šifra:	dimenzije:
<b>REMT-102/1</b>	102.00 x 0.53 x 8.00
<b>REMT-102/2</b>	102.00 x 0.57 x 8.00
<b>REMT-102/3</b>	102.00 x 0.47 x 8.00
<b>REMK-120/2</b>	120.00 x 2.30 x 2.30
<b>REMK-023/2</b>	23.50 x 1.80 x 1.80
<b>REMO-033</b>	33.50 x 1.20 x 1.20
<b>REMK-060</b>	60.00 x 1.20 x 1.20
<b>REMK-069/1</b>	69.00 x 1.00 x 1.00
<b>REMK-079/1</b>	79.50 x 1.50 x 1.50



**VP-0418**  
PINCH ROLLER VXPO285



**VP-0410**  
RUBBER ROLLER



**VP-0420**  
SENSOR LAMP XAMV0019



**VP-0418/3**  
PINCH ROLLER UNIT VXL1209



**VP-1147**  
LOADING MOTOR



**VSS0036**  
SWITCH

VIDEODECK: PAN - 002



**VP-0401**  
IDLER VXP0329



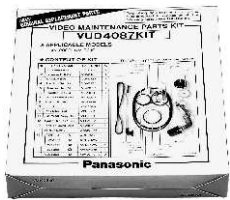
**VP-0431**  
CAM GEAR VDG0069



**VP-0430**  
INTERM.GEAR VDG0017



**VP-0484**  
PAUSE BRAKE PULLEY VXP0332



**VP-1139**  
MAINTENANCE KIT VUD4087



**VP-0464**  
CAM GEAR



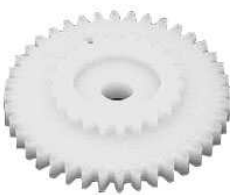
**VP-0428**  
LOADING GEAR 8619312332



**VP-0414**  
REWIND ROLLER VXP0292



**VP-0418**  
PINCH ROLLER VXP0330



**VP-0432**  
DRIVING GEAR VDG0016



**VP-0463**  
LOADING GEAR UNIT VXP0325



**VP-0420**  
SENSOR LAMP XAMV0019



**VP-0403**  
PLAY IDLER VXP0331



**VP-0485**  
FAST WIND PULLEY VXP0351



**VP-0443**  
LOADING MOTOR VEM0135



**VP-0458**  
SUPPLY TABLE (L) VXR0080



**VP-0423**  
TENSION BAND VXZ0076



**VP-0459**  
IMPEDANCE ROLLER VDP0908



**VP-0438**  
OPTO COUPLER PN150



**VP-0457**  
TAKE UP TABLE (R) VXR0079

**VIDEODECK: PAN - 003**



**VP-0402**  
FF/REW. IDLER VXP0344



**VP-0422**  
TENSION BAND VXZ0078



**VP-1147**  
LOADING MOTOR



**VSS0048**  
SWITCH VSS0048



**VP-1138**  
MAINTENANCE KIT VUD4086



**VP-0463**  
LOADING GEAR UNIT VXP0325



**VP-0438**  
OPTO COUPLER PN150

**VS-0200**  
SET REMENA

šifra:	dimenzije:
<b>REMK-107/1</b>	107.00 x 2.00 x 2.00
<b>REMK-027/1</b>	27.00 x 1.00 x 1.00
<b>REMK-033/2</b>	33.50 x 1.00 x 1.00
<b>REMK-035/4</b>	35.50 x 1.80 x 1.80
<b>REMK-051/1</b>	51.50 x 1.30 x 1.30
<b>REMK-070/2</b>	70.50 x 1.00 x 1.00



**VP-0418**  
PINCH ROLLER VXL0776



**VP-0432**  
DRIVING GEAR VDG0016



**VP-0433**  
REEL MOTOR VEM0127

**VMD0104**  
OIL POOL VMD0104



**VP-0418/1**  
PINCH ROLLER UNIT VXL0776



**VP-0430**  
INTERMEDIATE GEAR VDG0017



**VP-0414**  
REWIND ROLLER VXP0242



**VP-0408**  
PLAY IDLER VXP0343



**VP-0439**  
LED / SENSOR LN55



**VP-0420**  
SENSOR LAMP XAMV0019

VIDEODECK: PAN - 004



**VP-0404**  
FF/REW. IDLER VXP0401



**VP-0415**  
PLAY IDLER VXP0433



**VP-0430**  
INTERMEDIATE GEAR VDG0017



**VP-0426**  
REEL MOTOR MYN13V5L



**VP-0427**  
IDLER ARM UNIT VXL0997



**VP-0424**  
TENSION BAND VXZ0129



**VP-0463**  
LOADING GEAR UNIT VXP0325



**VP-1107**  
SENSOR/LED LN58



**VP-1118**  
MAINTENANCE KIT VUD4089



**VP-0431**  
CAM GEAR VDG0069



**VP-0443**  
LOADING MOTOR VEM0135



**VP-0457**  
TAKE UP TABLE (R) , VXR0079



**VP-0419**  
PINCH ROLLER VXP0432



**VP-0432**  
DRIVING GEAR VDG0016



**VP-1147**  
LOADING MOTOR



**VSS0060**  
MODE SELECT SWITCH VSS0060



**VP-0419/1**  
PINCH ROLLER UNIT VXP0432



**VP-0459**  
IMPEDANCE ROLLER VDP0908



**VP-0438**  
OPTO COUPLER PN150

REMEN  
šifra: dimenzije:  
**REMT - 101/1** 101.0 x 0.63 x 8.00

**VIDEODECK: PAN - 005**



**VP-0406**  
IDLER VXP0463



**VP-0432**  
DRIVING GEAR VDG0016



**VP-0443**  
LOADING MOTOR VEM0135



**VSS0060**  
SWITCH VSS0060



**VP-0419**  
PINCH ROLLER VXP0485



**VP-0463**  
GEAR UNIT VXP0505



**VP-0438**  
OPTO COUPLER PN150

**VS-0210**  
SET REMENA

šifra:	dimenzije:
<b>REMT-101/1</b>	101.00 x 0.63 x 8.00
<b>REMT-107/1</b>	107.00 x 2.00 x 2.00
<b>REMK-032</b>	32.00 x 1.20 x 1.20
<b>REMK-035/4</b>	35.50 x 1.80 x 1.80
<b>REMK-056/1</b>	56.50 x 2.00 x 2.00
<b>REMK-060/2</b>	60.50 x 1.00 x 1.00



**VP-0416**  
PLAY IDLER VXP0488



**VP-0459**  
IMPEDANCE ROLLER



**VP-0426**  
REEL MOTOR MYN13V5L



**VP-0424**  
TENSION BAND VXZ0129



**VP-0430**  
INTERMEDIATE GEAR VDG0017



**VP-1106**  
SENSOR/LED GL450



**VP-0431**  
CAM GEAR VDG0069



**VP-1147**  
LOADING MOTOR



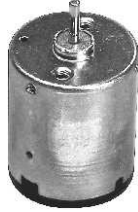
**VP-0457**  
TAKE UP TABLE (R) , VXR0079



VIDEODECK: PAN - 006



**VP-0417**  
FF/REW. IDLER VXP0515



**VP-1147**  
CASS.LOADING MOTOR



**VP-1147**  
LOADING MOTOR



**VP-1106**  
SENSOR/LED GL450



**VP-0419**  
PINCH ROLLER VXP0485



**VP-0432**  
DRIVING GEAR VDG0016



**VP-0443**  
LOADING MOTOR VEM0135



**VP-0457**  
TAKE UP TABLE (R)



**VP-0416**  
PLAY IDLER VXP0488



**VP-0459**  
IMPEDANCE ROLLER VDP0908



**VP-0438**  
OPTO COUPLER PN150



**VSS0060**  
MODE SELECT SWITCH VSS0060



**VP-0424**  
TENSION BAND VXZ0129



**VP-0430**  
INTERMEDIATE GEAR VDG0017



**VP-0445**  
REEL MOTOR VEM0212

**VS-0290**  
SET REMENA  
Šifra: dimenzije:  
**REMT-101/1** 101.00 x 0.63 x 8.00  
**REMK-107/1** 107.00 x 2.00 x 2.00  
**REMK-025/2** 25.00 x 2.00 x 2.00  
**REMK-026/2** 26.50 x 1.00 x 1.00  
**REMK-035/4** 35.50 x 1.80 x 1.80  
**REMK-056/1** 56.50 x 2.00 x 2.00  
**REMK-060/2** 60.50 x 1.00 x 1.00



**VP-0431**  
CAM GEAR VDG0069



**VP-0463**  
LOADING GEAR UNIT VXP0505



**VP-1131**  
RUBBER REEL PULLEY

**VIDEODECK: PAN - 007**



**VP-0417**  
FF/REW. IDLER VXP0515



**VP-0431**  
CAM GEAR VDG0158



**VP-0443**  
LOADING MOTOR VEM0135



**VP-1106**  
SENSOR/LED GL450



**VP-0406**  
IDLER VXP0463



**VP-0432**  
DRIVING GEAR VDG0016



**VP-1147**  
LOADING MOTOR



**VP-1107**  
SENSOR / LED LN58



**VP-1141**  
MAINTENANCE KIT



**VP-0459**  
IMPEDANCE ROLLER VDP0908



**VP-0438**  
PHOTO TRANSISTOR PN150



**VSS0060**  
MODE SELECT SWITCH VSS0060



**VP-0419**  
PINCH ROLLER VXL1034



**VP-0430**  
INTERMEDIATE GEAR VDG0017



**VP-0445**  
REEL MOTOR VEM0212

**VSY2032**  
RELAIS VSY2032

**VS-0770**  
SET REMENA

Šifra:	dimenzije:
<b>REMK-107/1</b>	107.00 x 2.00 x 2.00
<b>REMK-027/5</b>	27.50 x 2.00 x 2.00
<b>REMK-035/4</b>	35.50 x 1.80 x 1.80
<b>REMK-056/1</b>	56.50 x 2.00 x 2.00



**VP-0424**  
TENSION BAND VXZ0129



**VP-0463**  
LOADING GEAR UNIT VXP0505



**VP-1131**  
REEL PULLEY RUBBER

**VIDEODECK: PAN - 008**



**VP-0454**  
CLUTCH GEAR VXP0595



**VP-0418/2**  
PINCH ROLLER UNIT VXL1154



**VP-0459**  
IMPEDANCE ROLLER VDP0908



**VP-1106**  
SENSOR/LED GL450



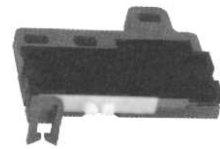
**VP-0462**  
CLUTCH GEAR UNIT VXP0523



**VP-0425**  
TENSION BAND VXZ0165



**VP-0428**  
LOADING GEAR VXP0520



**VSS0091**  
MODE SELECT SWITCH VES0246



**VP-0407**  
IDLER ARM UNIT VXP0521



**VP-0461**  
A/C HEAD VBR0103A



**VP-0444**  
LOADING MOTOR VEM0200

**VS-0300**  
SET REMENA

šifra: dimenzije:  
**REMK-025/2** 25.00 x 2.00 x 2.00  
**REMK-052/1** 52.50 x 1.60 x 1.60  
**REMK-081/1** 81.00 x 2.00 x 2.00



**VP-1119**  
MAINTENANCE KIT VUD4092



**VP-0429**  
CAM GEAR VDG0200



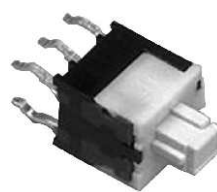
**VP-0438**  
OPTO COUPLER PN150



**VP-0418**  
PINCH ROLLER VXL1154



**VP-0441**  
FRONT LOADING MOTOR



**VP-0480**  
PUSH SWITCH VSP0145



**VP-0450**  
CENTER CLUTCH VXP0600



**VP-0418/2**  
PINCH ROLLER UNIT VXL1209



**VP-0441**  
FRONT LOAD. MOTOR VEM0218



**VP-1106**  
SENSOR/LED GL450



**VP-0453**  
CLUTCH GEAR UNIT VXP0599



**VP-0425**  
TENSION BAND VXZ0165



**VP-0459**  
IMPEDANCE ROLLER VDP0908



**VP-0455**  
WORM WHEEL UNIT VXP0604



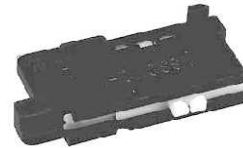
**VP-0407**  
IDLER ARM UNIT VXP0521



**VP-0461**  
A/C HEAD VBR0103A



**VP-0428**  
LOADING GEAR VXP0520



**VSS0110**  
MODE SELECT SWITCH VSS0110



**VP-1120**  
MAINTENANCE KIT VUD4093



**VP-0429**  
CAM GEAR VDG0200



**VP-0440**  
LOADING MOTOR VEM0211

**VS-0310**  
SET REMENA

šifra:	dimenzije:
<b>REMK-017/2</b>	17.50 x 1.80 x 1.80
<b>REMT-021/2</b>	21.00 x 0.90 x 6.00
<b>REMK-048/2</b>	48.50 x 1.80 x 1.80
<b>REMK-081/1</b>	81.00 x 2.00 x 2.00



**VP-0418**  
PINCH ROLLER 8619316138



**VP-1147**  
CASS. LOADING MOTOR

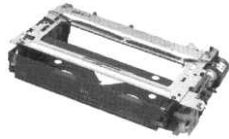


**VP-0438**  
OPTO COUPLER PN150

**VIDEODECK: PAN - 010**



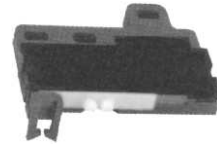
**VP-0405**  
FF/REW. IDLER VXP0581



**VP-0499**  
CASSETTE HOUSE VXA2125



**VP-0438**  
OPTO COUPLER PN150



**VSS0091**  
MODE SELECT SWITCH VSS0091



**VP-0418**  
PINCH ROLLER 8619316138



**VP-0446**  
FRONT LOADING MOTOR VEM0214



**VP-0445**  
REEL MOTOR VEM0212

**VS-0310**  
SET REMENA

šifra: dimenzije:  
**REMK-017/2** 17.50 x 1.80 x 1.80  
**REMT-021/2** 21.00 x 0.90 x 6.00  
**REMK-048/2** 48.50 x 1.80 x 1.80  
**REMK-081/1** 81.00 x 2.00 x 2.00



**VP-0418/3**  
PINCH ROLLER UNIT VXL1209



**VP-0459**  
IMPEDANCE ROLLER VDP0908



**VP-1131**  
RUBBER REEL PULLEY



**VP-0425**  
TENSION BAND VXZ0165



**VP-0428**  
LOADING GEAR VXP0505



**VP-1106**  
SENSOR/LED GL450



**VP-0429**  
CAM GEAR VDG0141



**VP-0440**  
LOADING MOTOR VEM0211



**VP-0455**  
WORM WHEEL UNIT VXP0604

VIDEODECK: PAN - 011



**VP-0450**  
CENTER CLUTCH VXP0600



**VP-0425**  
TENSION BAND VXZ0165



**VP-0459**  
IMPEDANCE ROLLER VDP0908



**VP-0468**  
WORM WHEEL UNIT VXP0691



**VP-0453**  
CLUTCH GEAR UNIT VXP0599



**VP-0461**  
A/C HEAD VBR0103A



**VP-0428**  
LOADING GEAR VXP0520



**VSS0135**  
MODE SELECT SWITCH VSS0135



**VP-0407**  
IDLER ARM UNIT VXP0521



**VP-0429**  
CAM GEAR VDG0200



**VP-0448**  
LOADING MOTOR VEM0242

**VS-0670**  
SET REMENA

šifra: dimenzije:  
**REMK-048/1** 48.50 x 1.50 x 1.50  
**REMK-081/1** 81.00 x 2.00 x 2.00



**VP-1137**  
MAINTENANCE KIT VUD4103



**VP-1147**  
CASS. LOADING MOTOR



**VP-0438**  
OPTO COUPLER PN150



**VP-0418/4**  
PINCH ROLLER UNIT VXL1371



**VP-0441**  
FRONT LOADING MOTOR VEM0243



**VP-1106**  
SENSOR/LED GL450

VIDEODECK: PAN - 012



**VP-0471**  
CLUTCH DISK VDG0349



**VP-0460**  
PLAY ARM UNIT VXL1490



**VP-2469**  
CAPSTAN SHAFT HOUSE VXD0101



**VP-2424**  
CHANGE LEVER VML1859



**VP-2416**  
LOADING GEAR KIT VUA4100KIT



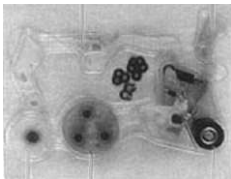
**VP-0469**  
SUB LOADING ARM VXL1480



**VP-2410**  
CASSETTE HOLDER VXA2679



**VP-0475**  
CLUTCH SPRING VMB1558



**VP-0479**  
MAINTENANCE (G) KIT VUA4104



**VP-0465**  
TENSION BAND VXZ0225



**VP-0451K**  
CENTER PULLY (KIT) VXP0917K



**VP-2436**  
CONNECTION GEAR VDG0332



**VP-0434**  
PINCH ROLLER VXL1481



**VP-2418**  
A/C HEAD VBR0129



**VP-0473**  
CENTRE GEAR VDG0348



**VP-2413**  
CUT WASHER VMX1079



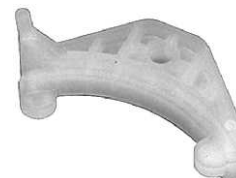
**VP-0434/1**  
PINCH ROLLER UNIT VXL1481



**VP-0488**  
CAM FOLLOWER ARM VXL1632



**VP-0451**  
CENTRE PULLY VXP0767



**VP-0489**  
DETENT ARM VML1861

VIDEODECK: PAN - 012

 <p><b>VP-0477</b> DRIVE DISK VDG0335</p>	 <p><b>VP-2430</b> LOADING GEAR VDG0420</p>	 <p><b>VP-0486</b> P5 PULL OUT GEAR VDG0357</p>	 <p><b>VP-2414</b> PINCH CAM CAP VMX1078</p>
 <p><b>VP-2403</b> INTERMEDIATE GEAR VDG0336</p>	 <p><b>VP-2432</b> LOADING GEAR (S) VDG0419</p>	 <p><b>VP-2407</b> P5 SPRING VMB1554</p>	 <p><b>VP-2434</b> PINCH CAM KIT VDG0421</p>
 <p><b>VP-2433</b> LOADING ARM (S) UNIT VXL1487</p>	 <p><b>VP-0476</b> LOCK SLIDE GEAR VDG0350</p>	 <p><b>VP-0447</b> P5 UNIT VXL1485</p>	 <p><b>VP-0487</b> PINCH SPEEDDOWN GEAR VDG0334</p>
 <p><b>VP-2431</b> LOADING ARM (T) UNIT VXL1489</p>	 <p><b>VP-0470</b> MAIN CAM GEAR VDG0346</p>	 <p><b>VP-0438</b> PHOTO TRANSISTOR PN150</p>	 <p><b>VP-2422</b> PLANET GEAR VDG0345</p>
 <p><b>VP-0491</b> LOADING CAM GEAR VDG0448</p>	 <p><b>VP-2423</b> MAIN SHAFT UNIT VXP0771</p>	 <p><b>VP-2406</b> PINCH CAM VDG0336</p>	 <p><b>VP-2409</b> RELEASE LEVER</p>

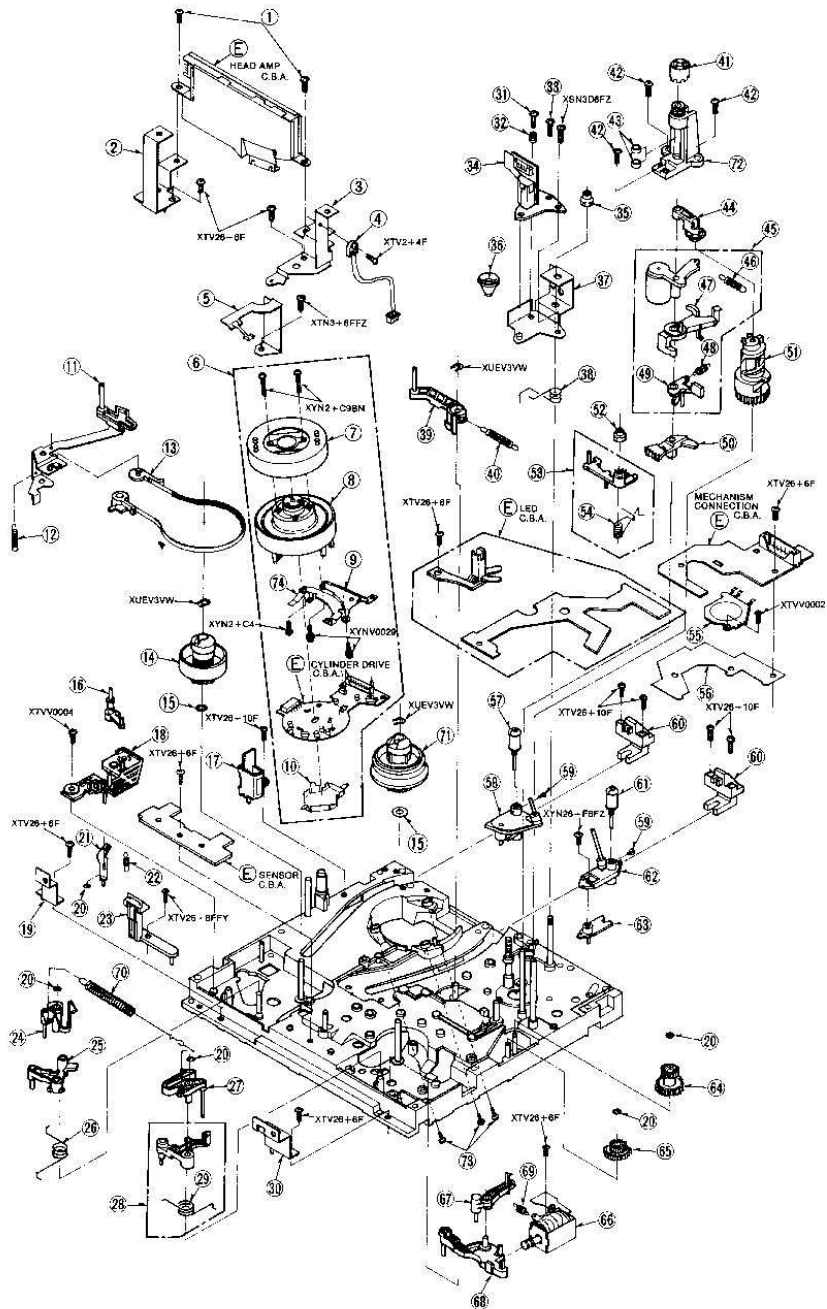


VIDEODECK: PAN - 012

			
<p><b>VP-2425</b> RELEASE LEVER    VXA2672</p>	<p><b>VP-2405</b> ROLLER            VDP1077</p>	<p><b>VP-2402</b> SS BRAKE ARM    VXL2088</p>	<p><b>VP-2443</b> TENSION ROLLER (OLD)VXA2674</p>
			<p><b>VSS0175</b> MODE SWITCH    VSS0175A</p>
<p><b>VP-0474</b> RETAINER GEAR    VDG0422</p>	<p><b>VP-1106</b> SENSOR / LED     GL450</p>	<p><b>VP-0472</b> SUB CAM GEAR    VDG0343</p>	<p><b>VSS0126</b> SWITCH            VSS0126</p>
			<p><b>VR-1007</b> VIDEO REMEN</p>
<p><b>VP-2427</b> RETURN LEVER (L)    VML1857</p>	<p><b>VP-2415</b> SLIDE SWITCH      VSS0176</p>	<p><b>VP-2404</b> SUPPLY REEL GEAR    VDG0337</p>	
			
<p><b>VP-2426</b> RETURN LEVER (R)    VML1858</p>	<p><b>VP-2435</b> SOLENOID            VXA2693</p>	<p><b>VP-0498</b> TAKE UP REEL GEAR    VXP0779</p>	
			
<p><b>VP-0478</b> RING GEAR            VDG0342</p>	<p><b>VP-2408</b> SPRING FOR VP-0482    VMB1566</p>	<p><b>VP-2444</b> TENSION ROLLER    VXA3516</p>	

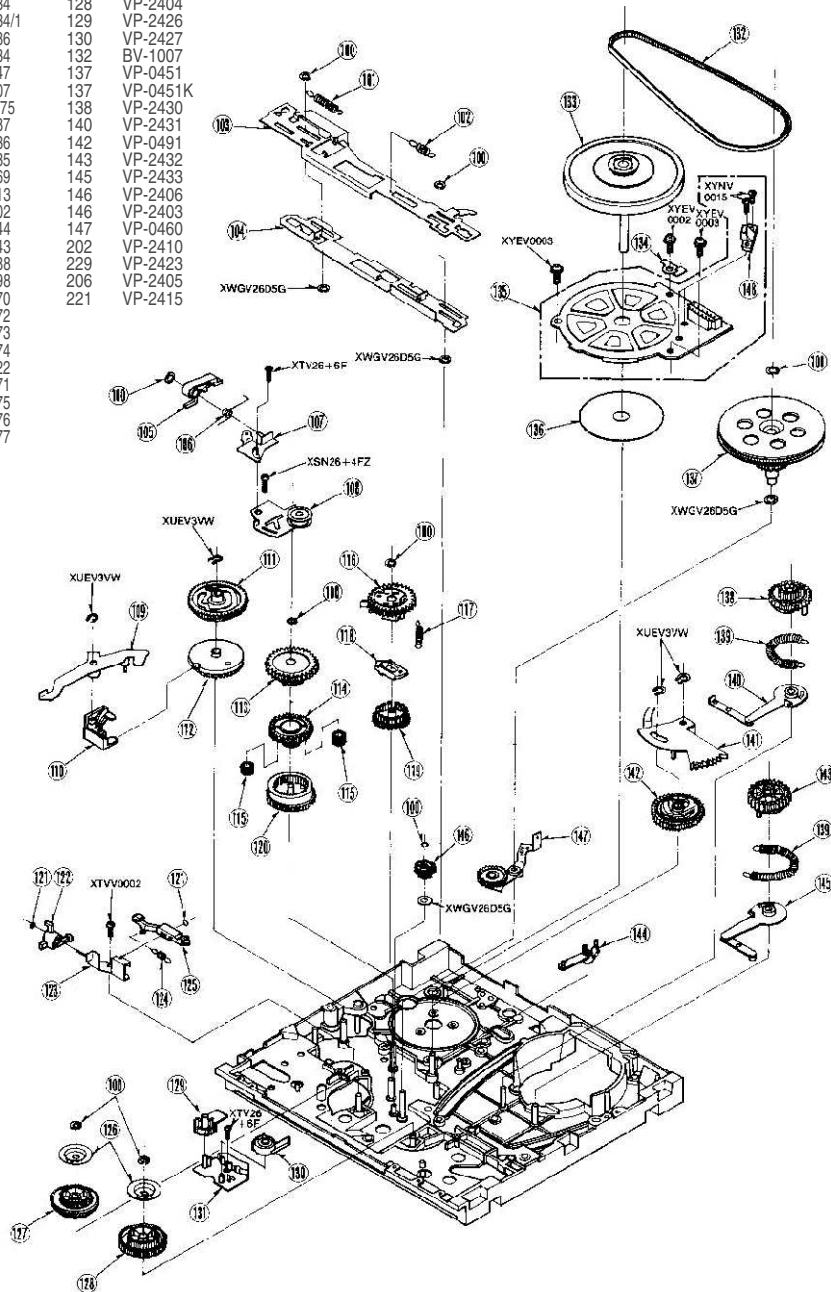
VIDEODECK: PAN - 012

- 13 VP-0465
- 20 VP-2413
- 34 VP-2418
- 40 VP-2408
- 44 VP-2414
- 45 VP-0434
- 45 VP-0434/1
- 50 VP-0486
- 51 VP-2434
- 53 VP-0447
- 54 VP-2407
- 55 VSS0175
- 64 VP-0487
- 65 VP-2436
- 66 VP-2435
- 72 VP-2469
- 100 VP-2413
- 105 VP-2402
- 108 VP-2444
- 108 VP-2443
- 109 VP-0488
- 110 VP-0498
- 111 VP-0470
- 112 VP-0472
- 113 VP-0473
- 114 VP-0474
- 115 VP-2422
- 116 VP-0471
- 117 VP-0475
- 118 VP-0476
- 119 VP-0477
- 120 VP-0478
- 122 VP-2424
- 123 VP-2425
- 125 VP-2409
- 127 VP-0498
- 128 VP-2404
- 129 VP-2426
- 130 VP-2427
- 132 VR-1007
- 137 VP-0451
- 137 VP-0451K
- 138 VP-2430
- 140 VP-2431
- 142 VP-0491
- 143 VP-2432
- 145 VP-2433
- 146 VP-2406
- 146 VP-2403
- 147 VP-0460
- 202 VP-2410
- 229 VP-2423
- 206 VP-2405
- 221 VP-2415



VIDEODECK: PAN - 012

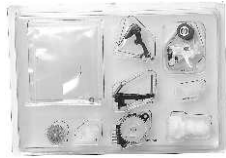
- |     |           |     |          |
|-----|-----------|-----|----------|
| 13  | VP-0465   | 120 | VP-0478  |
| 20  | VP-2413   | 122 | VP-2424  |
| 34  | VP-2418   | 123 | VP-2425  |
| 40  | VP-2408   | 125 | VP-2409  |
| 44  | VP-2414   | 127 | VP-0498  |
| 45  | VP-0434   | 128 | VP-2404  |
| 45  | VP-0434/1 | 129 | VP-2426  |
| 50  | VP-0486   | 130 | VP-2427  |
| 51  | VP-2434   | 132 | BV-1007  |
| 53  | VP-0447   | 137 | VP-0451  |
| 54  | VP-2407   | 137 | VP-0451K |
| 55  | VSS0175   | 138 | VP-2430  |
| 64  | VP-0487   | 140 | VP-2431  |
| 65  | VP-2436   | 142 | VP-0491  |
| 66  | VP-2435   | 143 | VP-2432  |
| 72  | VP-2469   | 145 | VP-2433  |
| 100 | VP-2413   | 146 | VP-2406  |
| 105 | VP-2402   | 146 | VP-2403  |
| 108 | VP-2444   | 147 | VP-0460  |
| 108 | VP-2443   | 202 | VP-2410  |
| 109 | VP-0488   | 229 | VP-2423  |
| 110 | VP-0498   | 206 | VP-2405  |
| 111 | VP-0470   | 221 | VP-2415  |
| 112 | VP-0472   |     |          |
| 113 | VP-0473   |     |          |
| 114 | VP-0474   |     |          |
| 115 | VP-2422   |     |          |
| 116 | VP-0471   |     |          |
| 117 | VP-0475   |     |          |
| 118 | VP-0476   |     |          |
| 119 | VP-0477   |     |          |



**VIDEODECK: PAN - 014**



**VP-2420**  
CLEANER ARM UNIT VXL2086



**VP-2465**  
MAINT.KIT(UPPER SIDE) VUA4115KIT



**VP-0494**  
SUB LOADING ARM VXL1910



**VP-2410**  
CASSETTE HOLDER VXA3840



**VP-2419**  
CLEANER ROLLER VXP1341



**VP-0434**  
PINCH ROLLER VXL1743



**VP-0465**  
TENSION BAND VXZ0267



**VP-0451K**  
CENTER PULLEY(KIT) VXP0917K



**VP-2437**  
CLUTCH DISK VDG0547



**VP-0434/1**  
PINCH ROLLER UNIT VXL1858



**VP-2401**  
A / C HEAD VBR0132



**VP-0473**  
CENTRE GEAR VDG0348



**VP-2416**  
LOADING GEAR KIT VUA4100KIT



**VP-0481**  
PLAY ARM UNIT VXL1861



**VP-0488**  
CAM FOLLOVER ARM VXL1632



**VP-0451**  
CENTRE PULLEY (IDLER) VXP0917



**VP-2466**  
MAINT.KIT(LOWER SIDE)VUA4116KIT



**VP-0482**  
SUB LOADING ARM VXL1857



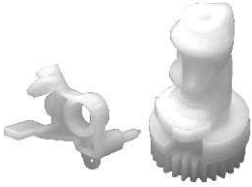
**VP-2469**  
CAPSTAN SHAFT HOUSE VXD0101



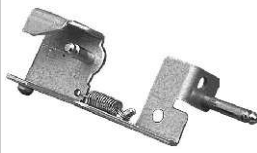
**VP-2424**  
CHANGE LEVER VML1859

VIDEODECK: PAN - 014

 <p><b>VP-0475</b> CLUTCH SPRING VMB1558</p>	 <p><b>VP-0492</b> INTERMEDIATE GEAR VDG0546</p>	 <p><b>VP-2440</b> LOADING GEAR VDG0564</p>	 <p><b>VP-2407</b> P5 SPRING VMB1554</p>
 <p><b>VP-2436</b> CONNECTION GEAR VDG0664</p>	 <p><b>VP-2433</b> LOADING ARM (S) UNIT VXL1487</p>	 <p><b>VP-0476</b> LOCK SLIDE GEAR VDG0350</p>	 <p><b>VP-0447</b> P5 UNIT VXL2027</p>
 <p><b>VP-2413</b> CUT WASHER VMX1079</p>	 <p><b>VP-2431</b> LOADING ARM (T) UNIT VXL1489</p>	 <p><b>VP-0483</b> MAIN CAM GEAR VDG0574</p>	 <p><b>VP-0438</b> PHOTO TRANSISTOR PN150NV</p>
 <p><b>VP-0489</b> DETENT ARM VML1861</p>	 <p><b>VP-0491</b> LOADING CAM GEAR VDG0448</p>	 <p><b>VP-2423</b> MAIN SHAFT UNIT VXP0987</p>	 <p><b>VP-2406</b> PINCH CAM VDG0336</p>
 <p><b>VP-0477</b> DRIVE DISK VDG0335</p>	 <p><b>VP-2432</b> LOADING GEAR (S) VDG0419</p>	 <p><b>VP-0486</b> P5 PULL OUT GEAR VDG0597</p>	 <p><b>VP-2414</b> PINCH CAM CAP VMX1353</p>



**VP-2434**  
PINCH CAM KIT VDG0421



**VP-2425**  
RELEASE LEVER VXA2672



**VP-0478**  
RING GEAR VDG0342



**VP-2408**  
SPRING FOR VP-0482 VMB1566



**VP-0487**  
PINCH SPEEDDOWN GEAR VDG0483



**VP-0474**  
RETAINER GEAR VDG0422



**VP-2405**  
ROLLER



**VP-2417**  
SS BRAKE GEAR VXL1500



**VP-2422**  
PLANET GEAR VDG0345



**VP-2427**  
RETURN LEVER (L) VML1857



**VP-1106**  
SENSOR / LED GL450



**VP-0472**  
SUB CAM GEAR VDG0343



**VP-1252**  
REEL SENSOR 0N2170



**VP-2426**  
RETURN LEVER (R) VML1858



**VP-2415**  
SLIDE SWITCH VSS0176



**VP-2404**  
SUPPLY REEL GEAR VDG0445



**VP-2409**  
RELEASE LEVER VML1860



**VP-0496**  
REVIEW CLUTCH UNIT



**VP-2435**  
SOLENOID UNIT VXA3735



**VP-0498**  
TAKE UP REEL GEAR VXP1002

**VIDEODECK: PAN - 014**



**VP-0495**  
 TAKE UP REEL TABLE



**VP-2444**  
 TENSION ROLLER VXA3516



**VP-2443**  
 TENSION ROLLER (OLD) VXA2674

**VSS0175**  
 MODE SWITCH VSS0175A

**VSS0126**  
 SWITCH

**VR-1007**  
 VIDEO REMEN

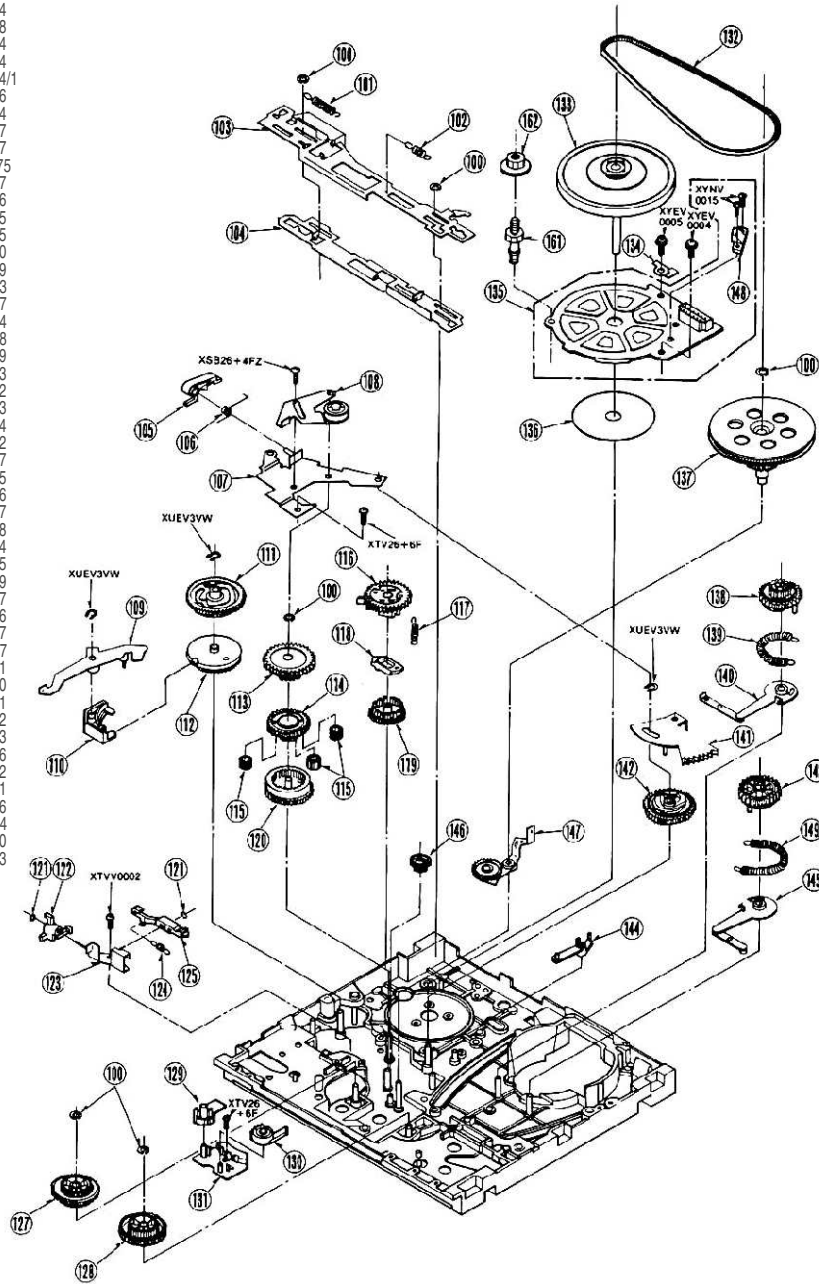
**VR-1014**  
 VIDEO REMEN



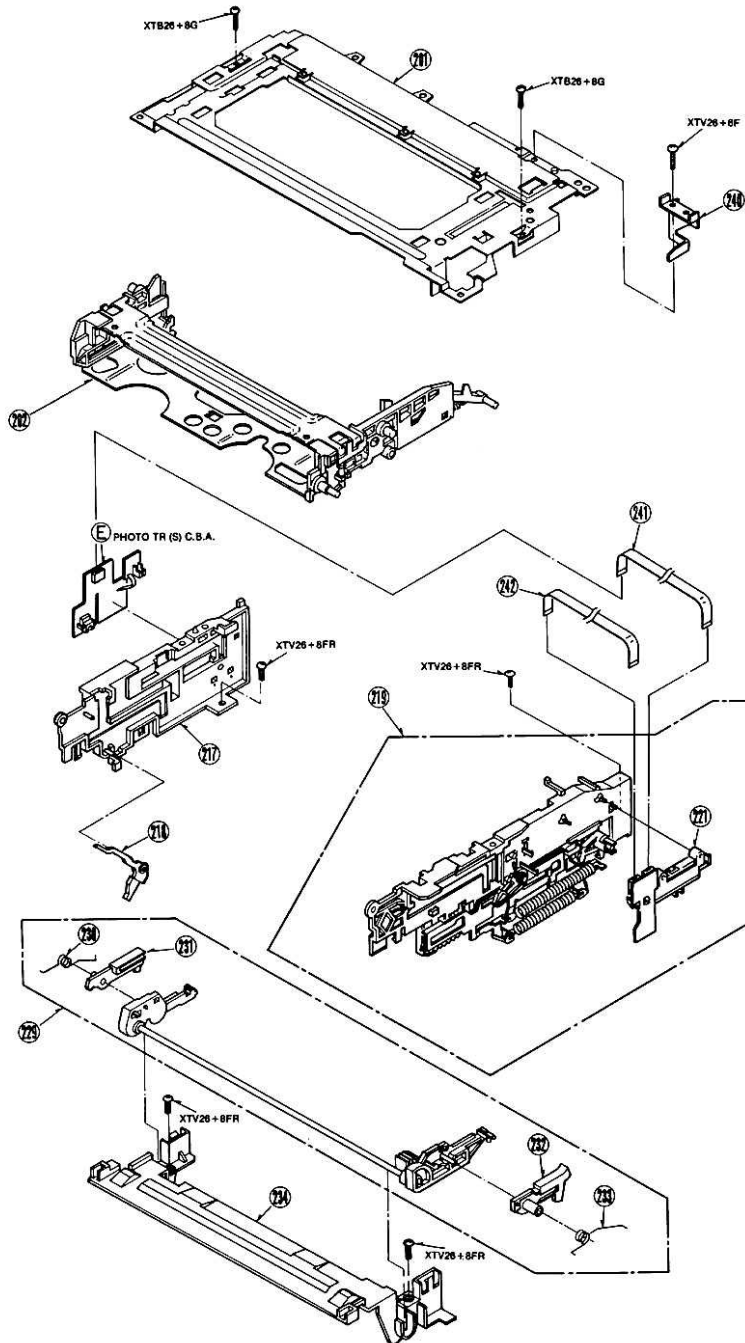


VIDEODECK: PAN - 014

- 13 VP-0465
- 20 VP-2413
- 34 VP-2401
- 39 VP-0482
- 39 VP-0494
- 40 VP-2408
- 44 VP-2414
- 45 VP-0434
- 45 VP-0434/1
- 50 VP-0486
- 51 VP-2434
- 53 VP-0447
- 54 VP-2407
- 55 VSS0175
- 64 VP-0487
- 65 VP-2436
- 66 VP-2435
- 71 VP-0495
- 73 VP-2420
- 74 VP-2419
- 100 VP-2413
- 105 VP-2417
- 108 VP-2444
- 109 VP-0488
- 110 VP-0489
- 111 VP-0483
- 112 VP-0472
- 113 VP-0473
- 114 VP-0474
- 115 VP-2422
- 116 VP-2437
- 117 VP-0475
- 118 VP-0476
- 119 VP-0477
- 120 VP-0478
- 122 VP-2424
- 123 VP-2425
- 125 VP-2409
- 127 VP-0497
- 129 VP-2426
- 130 VP-2427
- 132 VR-1007
- 137 VP-2411
- 138 VP-2440
- 140 VP-2431
- 143 VP-2432
- 145 VP-2433
- 146 VP-2406
- 146 VP-0492
- 147 VP-0481
- 151 VP-0496
- 159 VR-1014
- 202 VP-2410
- 229 VP-2423



- 13 VP-0465
- 34 VP-2401
- 39 VP-0482
- 39 VP-0494
- 40 VP-2408
- 44 VP-2414
- 45 VP-0434
- 45 VP-0434/1
- 50 VP-0486
- 51 VP-2406
- 51 VP-2434
- 53 VP-0447
- 54 VP-2407
- 55 VSS0175
- 64 VP-0487
- 65 VP-2436
- 66 VP-2435
- 71 VP-0495
- 72 VP-2469
- 91 VP-2420
- 91 VP-2419
- 100 VP-2413
- 105 VP-2417
- 108 VP-2444
- 108 VP-2443
- 109 VP-0488
- 110 VP-0489
- 111 VP-0483
- 112 VP-0472
- 113 VP-0473
- 114 VP-0474
- 115 VP-2422
- 116 VP-2437
- 117 VP-0475
- 118 VP-0476
- 119 VP-0477
- 120 VP-0478
- 122 VP-2424
- 123 VP-2425
- 125 VP-2409
- 127 VP-0498
- 128 VP-2404
- 129 VP-2426
- 130 VP-2427
- 132 VR-1007
- 137 VP-0451
- 137 VP-0451K
- 138 VP-2440
- 140 VP-2431
- 142 VP-0491
- 143 VP-2432
- 145 VP-2433
- 146 VP-0492
- 147 VP-0481
- 151 VP-0496
- 159 VR-1014
- 202 VP-2410
- 206 VP-2405
- 221 VP-2415
- 229 VP-2423



VIDEODECK: PAN - 015



**VP-2420**  
CLEANER ARM UNIT VXL2086



**VP-0434/1**  
PINCH ROLLER UNIT VXL1858



**VP-2401**  
A / C HEAD VBR0132



**VP-2424**  
CHANGE LEVER VML1859



**VP-2419**  
CLEANER ROLLER VXP1341



**VP-0481**  
PLAY ARM UNIT VXL1861



**VP-0488**  
CAM FOLLOVER ARM VXL1632



**VP-0475**  
CLUTCH SPRING VMB1558



**VP-2437**  
CLUTCH DISK VDG0547



**VP-0482**  
SUB LOADING ARM VXL1857



**VP-2410**  
CASSETTE HOLDER VXA3832



**VP-2436**  
CONNECTION GEAR VDG0664



**VP-2465**  
MAINT. KIT (UPPER SIDE) VUA4115KIT



**VP-0494**  
SUB LOADING ARM VXL1910



**VP-0473**  
CENTRE GEAR VDG0348



**VP-2413**  
CUT WASHER VMX1079



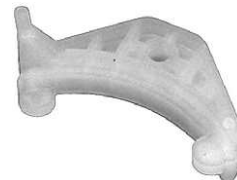
**VP-0434**  
PINCH ROLLER VXL1743



**VP-0465**  
TENSION BAND VXZ0267



**VP-2411**  
CENTRE PULLEY (IDLER) VXP1050



**VP-0489**  
DETENT ARM VML1861

VIDEODECK: PAN - 015



**VP-0477**  
DRIVE DISK VDG0335



**VP-2432**  
LOADING GEAR (S) VDG0419



**VP-0486**  
P5 PULL OUT GEAR VDG0597



**VP-2414**  
PINCH CAM CAP VMX1353



**VP-0492**  
INTERMEDIATE GEAR VDG0546



**VP-2440**  
LOADING GEAR VDG0564



**VP-2407**  
P5 SPRING VMB1554



**VP-2434**  
PINCH CAM KIT VDG0421



**VP-2433**  
LOADING ARM (S) UNIT VXL1487



**VP-0476**  
LOCK SLIDE GEAR VDG0350



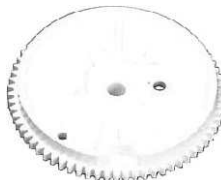
**VP-0447**  
P5 UNIT VXL1485



**VP-0487**  
PINCH SPEEDDOWN GEAR VDG0483



**VP-2431**  
LOADING ARM (T) UNIT VXL1489



**VP-0483**  
MAIN CAM GEAR VDG0574



**VP-0438**  
PHOTO TRANSISTOR PN150



**VP-2422**  
PLANET GEAR VDG0345



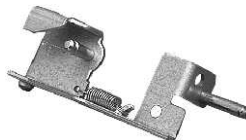
**VP-2416**  
LOADING GEAR KIT VUA4100KIT



**VP-2423**  
MAIN SHAFT UNIT VXP0987

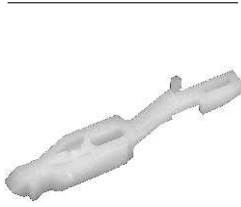


**VP-2406**  
PINCH CAM VDG0336



**VP-2425**  
RELEASE LEVER VXA2672

VIDEODECK: PAN - 015



**VP-2409**  
RELEASE LEVER VML1860



**VP-0496**  
REVIEW CLUTCH UNIT VXP1029



**VP-2408**  
SPRING FOR VP-0482 VMB1566



**VP-0495**  
TAKE UP REEL TABLE VXR0176



**VP-0474**  
RETAINER GEAR VDG0422



**VP-0478**  
RING GEAR VDG0342



**VP-2417**  
SS BRAKE ARM VXL1500



**VP-2444**  
TENSION ROLLER VXA3516



**VP-2427**  
RETURN LEVER (L) VML1857



**VP-1106**  
SENSOR / LED GL450



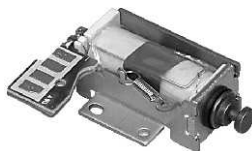
**VP-0472**  
SUB CAM GEAR VDG0343

**VSS0175**  
MODE SWITCH VSS0175A

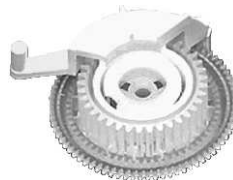
**VSS0126**  
SWITCH VSS0126



**VP-2426**  
RETURN LEVER (R) VML1858



**VP-2435**  
SOLENOID UNIT VXA3735



**VP-0497**  
TAKE UP REEL GEAR VXP1031

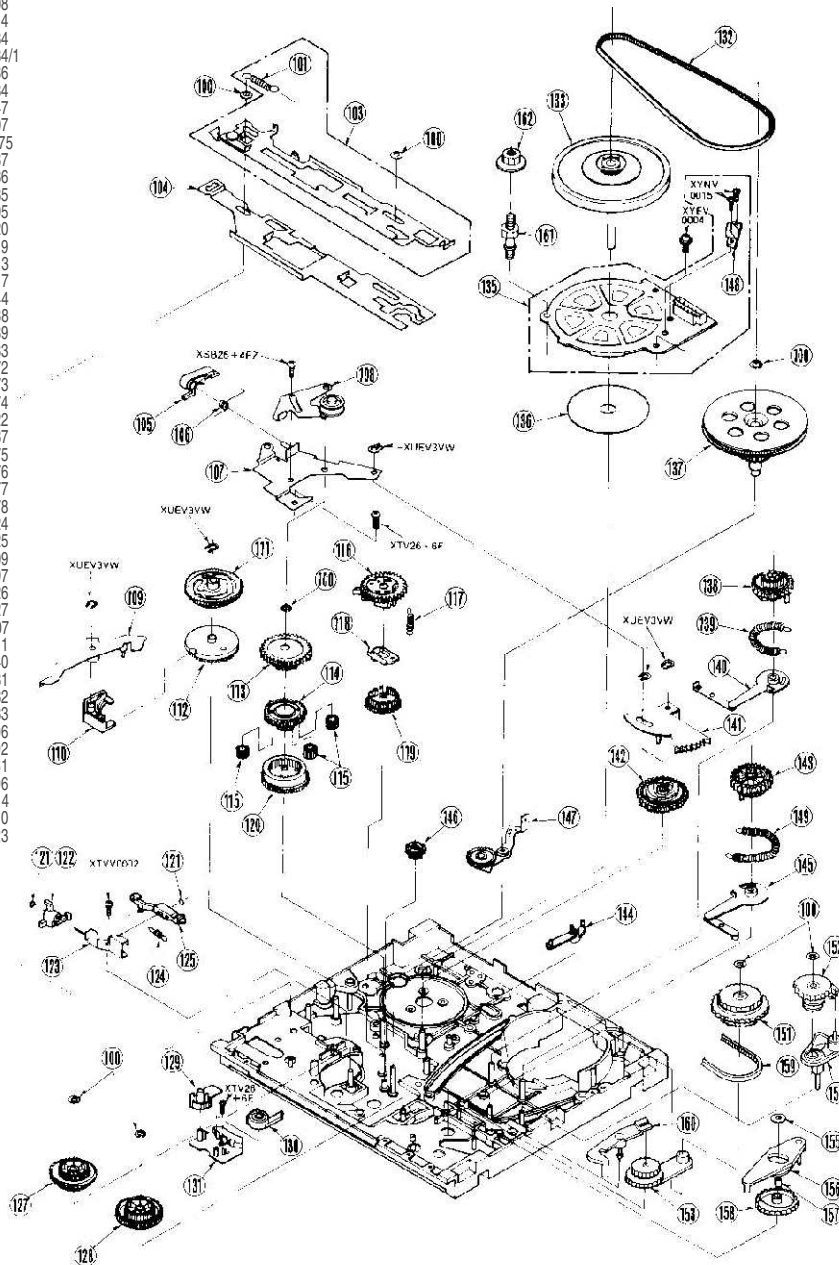
**VR-1007**  
VIDEO REMEN

**VR-1014**  
VIDEO REMEN



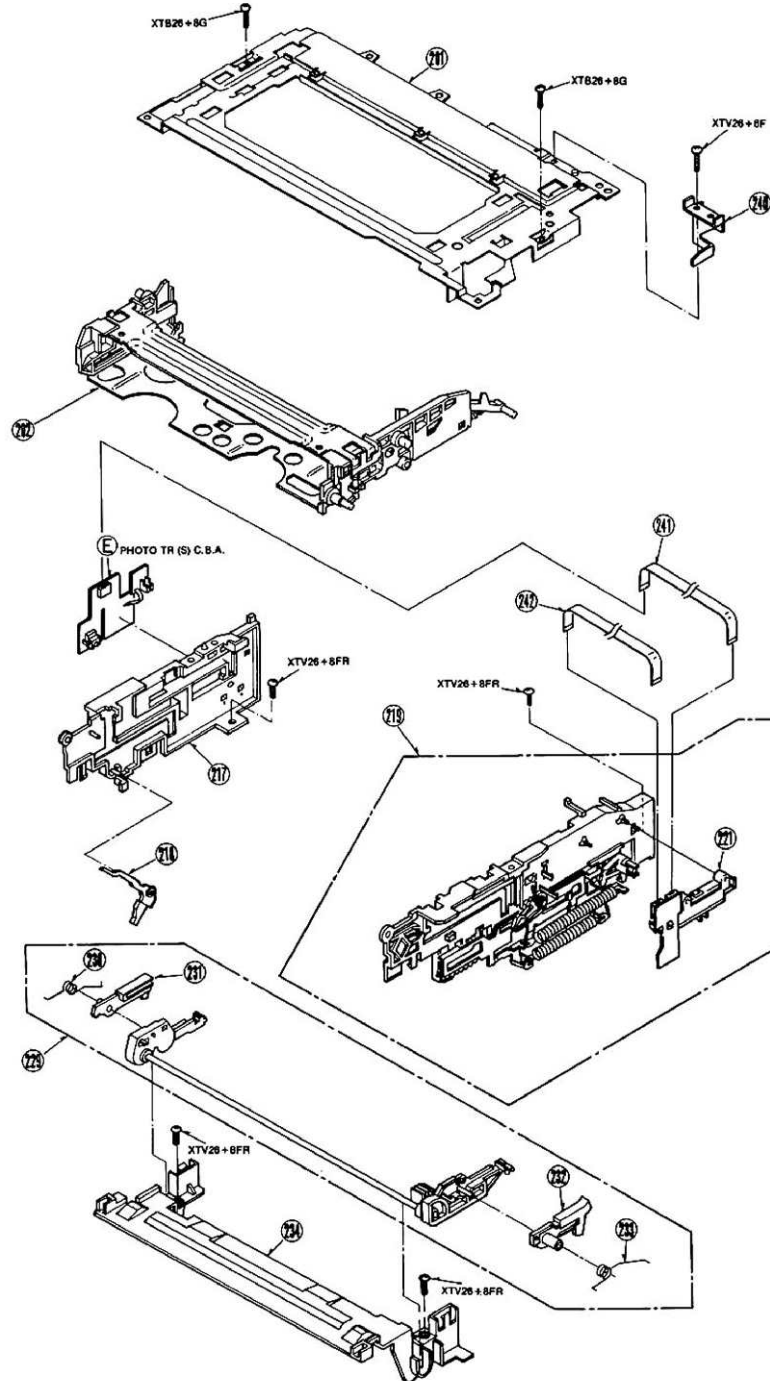
VIDEODECK: PAN - 015

- 13 VP-0465
- 20 VP-2413
- 34 VP-2401
- 39 VP-0482
- 39 VP-0494
- 40 VP-2408
- 44 VP-2414
- 45 VP-0434
- 45 VP-0434/1
- 50 VP-0486
- 51 VP-2434
- 53 VP-0447
- 54 VP-2407
- 55 VSS0175
- 64 VP-0487
- 65 VP-2436
- 66 VP-2435
- 71 VP-0495
- 73 VP-2420
- 74 VP-2419
- 100 VP-2413
- 105 VP-2417
- 108 VP-2444
- 109 VP-0488
- 110 VP-0489
- 111 VP-0483
- 112 VP-0472
- 113 VP-0473
- 114 VP-0474
- 115 VP-2422
- 116 VP-2437
- 117 VP-0475
- 118 VP-0476
- 119 VP-0477
- 120 VP-0478
- 122 VP-2424
- 123 VP-2425
- 125 VP-2409
- 127 VP-0497
- 129 VP-2426
- 130 VP-2427
- 132 VR-1007
- 137 VP-2411
- 138 VP-2440
- 140 VP-2431
- 143 VP-2432
- 145 VP-2433
- 146 VP-2406
- 146 VP-0492
- 147 VP-0481
- 151 VP-0496
- 159 VR-1014
- 202 VP-2410
- 229 VP-2423



VIDEODECK: PAN - 015

- 13 VP-0465
- 20 VP-2413
- 34 VP-2401
- 39 VP-0482
- 39 VP-0494
- 40 VP-2408
- 44 VP-2414
- 45 VP-0434
- 45 VP-0434/1
- 50 VP-0486
- 51 VP-2434
- 53 VP-0447
- 54 VP-2407
- 55 VSS0175
- 64 VP-0487
- 65 VP-2436
- 66 VP-2435
- 71 VP-0495
- 73 VP-2420
- 74 VP-2419
- 100 VP-2413
- 105 VP-2417
- 108 VP-2444
- 109 VP-0488
- 110 VP-0489
- 111 VP-0483
- 112 VP-0472
- 113 VP-0473
- 114 VP-0474
- 115 VP-2422
- 116 VP-2437
- 117 VP-0475
- 118 VP-0476
- 119 VP-0477
- 120 VP-0478
- 122 VP-2424
- 123 VP-2425
- 125 VP-2409
- 127 VP-0497
- 129 VP-2426
- 130 VP-2427
- 132 VR-1007
- 137 VP-2411
- 138 VP-2440
- 140 VP-2431
- 143 VP-2432
- 145 VP-2433
- 146 VP-2406
- 146 VP-0492
- 147 VP-0481
- 151 VP-0496
- 159 VR-1014
- 202 VP-2410
- 229 VP-2423





VIDEODECK: PAN - 016



**VP-0411**  
FF IDLER TYRE VMG0258



**VP-0412**  
IDLER TYRE VMG0259



**VP-0493**  
TENSION BAND VXZ0125



**VP-1107**  
SENSOR / LED LN58



**VP-0452**  
FF/REW. IDLER VDP0854



**VP-0419**  
PINCH ROLLER VXPO927



**VP-0438**  
OPTO COUPLER PN150

**VS Y2032**  
RELAIS VSY2032

**VSS0061**  
SWITCH VSS0061

**VR-1002**  
VIDEO REMEN

VIDEODECK: PAN - 017



**VP-0419**  
PINCH ROLLER VXL1299



**VP-0438**  
OPTO COUPLER PN150



**VP-1106**  
SENSOR / LED GL450

VIDEODECK: PAN - 018



**VP-0413**  
FF IDLER VXPO245



**VP-0418**  
PINCH ROLLER VXPO330



**VP-0420**  
SENSOR LAMP XAMV0019

**VS-1210**  
SET REMENA

šifra:	dimenzije:
<b>REMT-101/2</b>	101.00 x 0.60 x 0.60
<b>REMT-160/1</b>	160.00 x 1.00 x 10.00
<b>REMK-025/2</b>	25.00 x 2.00 x 2.00
<b>REMK-046/2</b>	46.50 x 1.20 x 1.20
<b>REMK-069/1</b>	69.00 x 1.00 x 1.00
<b>REMK-079/1</b>	79.50 x 1.50 x 1.50

VIDEODECK: PAN - 019



**VP-0419**  
PINCH ROLLER VXL1220



**VP-0432**  
DRIVING GEAR VDG0016



**VP-0443**  
LOADING MOTOR VEM0135



**VSS0060**  
MODE SELECT SWITCH VSS0060



**VP-0424**  
TENSION BAND VXZ0129



**VP-0430**  
INTERMEDIATE GEAR VDG0017



**VP-0438**  
PHOTO TRANSISTOR PN150

**VS-0290**  
SET REMENA

šifra: dimenzije:

**REMT-101/1** 101.00 x 0.63 x 8.00

**REMK-107/1** 107.00 x 2.00 x 2.00

**REMK-025/2** 25.00 x 2.00 x 2.00

**REMK-026/2** 26.50 x 1.00 x 1.00

**REMK-035/4** 35.50 x 1.80 x 1.80

**REMK-056/1** 56.50 x 2.00 x 2.00

**REMK-060/2** 60.50 x 1.00 x 1.00



**VP-0431**  
CAM GEAR VDG0069



**VP-1147**  
LOADING MOTOR



**VP-1106**  
SENSOR/LED GL450

**VIDEODECK: PAN - 020**

 <p><b>VP-0463</b> LOADING GEAR UNIT VXP0325</p>	 <p><b>VP-0464</b> CAM GEAR VDG0035</p>	 <p><b>VP-0438</b> PHOTO TRANSISTOR PN150</p>	 <p><b>VSS0048</b> MODE SELECT SWITCH VSS0048</p>
 <p><b>VP-0418</b> PINCH ROLLER VXP0330</p>	 <p><b>VP-0443</b> LOADING MOTOR VEM0135</p>	 <p><b>VP-0433</b> REEL MOTOR VEM0127</p>	<p><b>VS-1200</b> SET REMENA</p> <p>{ifra: dimenzije:</p> <p><b>REMK-107/1</b> 107.00 x 2.00 x 2.00</p> <p><b>REMK-035/4</b> 35.50 x 1.80 x 1.80</p> <p><b>REMK-047/1</b> 47.00 x 1.00 x 1.00</p> <p><b>REMK-070/2</b> 70.50 x 1.00 x 1.00</p>
 <p><b>VP-0422</b> TENSION BAND VXZ0078</p>	 <p><b>VP-1147</b> LOADING MOTOR</p>	 <p><b>VP-1107</b> SENSOR / LED LN58</p>	

**VIDEODECK: PAN - 022**

 <p><b>VP-0463</b> CLITCH GEAR UNIT</p>	 <p><b>VP-1147</b> LOADING MOTOR</p>	 <p><b>VP-0438</b> PHOTO TRANSISTOR PN150</p>	<p><b>VS-0770</b> SET REMENA</p> <p>{ifra: dimenzije:</p> <p><b>REMK-107/1</b> 107.00 x 2.00 x 2.00</p> <p><b>REMK-027/5</b> 27.50 x 2.00 x 2.00</p> <p><b>REMK-035/4</b> 35.50 x 1.80 x 1.80</p> <p><b>REMK-056/1</b> 56.50 x 2.00 x 2.00</p>
 <p><b>VP-0418</b> PINCH ROLLER</p>	 <p><b>VP-0443</b> LOADING MOTOR VEM0135</p>	 <p><b>VP-1106</b> SENSOR/LED GL450</p>	

**VIDEODECK: PAN - 101**

 <p><b>VP-0413</b> FF IDLER VXPO245</p>	 <p><b>VP-0409</b> PLAY IDLER VXPO243</p>	 <p><b>VP-0437</b> PULLEY VXPO279</p>	<p><b>VS-0110</b> SET REMENA</p> <p>šifra:            dimenzije:</p> <p><b>REMT-102/1</b> 102.00 x 0.53 x 8.00</p> <p><b>REMT-102/2</b> 102.00 x 0.57 x 8.00</p> <p><b>REMT-102/3</b> 102.00 x 0.47 x 8.00</p> <p><b>REMK-120/2</b> 120.00 x 2.30 x 2.30</p> <p><b>REMO-024</b> 24.00 x 1.45 x 1.45</p> <p><b>REMK-025/2</b> 25.00 x 2.00 x 2.00</p> <p><b>REMK-060</b> 60.00 x 1.20 x 1.20</p> <p><b>REMK-079/1</b> 79.50 x 1.50 x 1.50</p>
 <p><b>VP-0412</b> IDLER TYRE VXPO0404</p>	 <p><b>VP-0414</b> REWIND ROLLER VXPO292</p>	 <p><b>VP-0420</b> SENSOR LAMP XAMV0019</p>	
 <p><b>VP-0418</b> PINCH ROLLER VXL1209</p>	 <p><b>VP-0410</b> RUBBER ROLLER</p>	 <p><b>VSS0042</b> SWITCH</p>	
 <p><b>VP-0418/3</b> PINCH ROLLER UNIT VXL1209</p>	 <p><b>VP-1147</b> LOADING MOTOR</p>	 <p><b>VSS0036</b> SWITCH</p>	

**VIDEODECK: PAN - 103**

<p><b>VS-0200</b> SET REMENA</p> <p>šifra:            dimenzije:</p> <p><b>REMK-107/1</b> 107.00 x 2.00 x 2.00</p> <p><b>REMK-027/1</b> 27.00 x 1.00 x 1.00</p> <p><b>REMK-033/2</b> 33.50 x 1.00 x 1.00</p> <p><b>REMK-035/4</b> 35.50 x 1.80 x 1.80</p> <p><b>REMK-051/1</b> 51.50 x 1.30 x 1.30</p> <p><b>REM-070/2</b> 70.50 x 1.00 x 1.00</p>	<p><b>VMD0104</b> OIL POOL VMD0104</p>
--	--

**VIDEODECK: PAN - 103**



**VP-0402**  
FF/REW. IDLER VXP0344



**VP-0414**  
REWIND ROLLER VXP0242



**VP-0430**  
INTERMEDIATE GEAR VDG0017



**VP-0433**  
REEL MOTOR VEM0127



**VP-1140**  
MAINTENANCE KIT



**VP-0422**  
TENSION BAND VXZ0078



**VP-0439**  
LED / SENSOR LN55



**VP-0420**  
SENSOR LAMP XAM0019



**VP-0418**  
PINCH ROLLER VXL0776



**VP-0464**  
CAM GEAR



**VP-0463**  
LOADING GEAR UNIT VXP0505



**VP-1107**  
SENSOR / LED LN58



**VP-0418/1**  
PINCH ROLLER UNIT VXL0776



**VP-0432**  
DRIVING GEAR VDG0016



**VP-0443**  
LOADING MOTOR VEM0135



**VP-0458**  
SUPPLY TABLE (L)



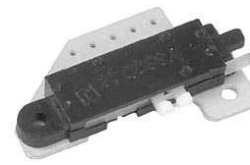
**VP-0408**  
PLAY IDLER VXP0343



**VP-0459**  
IMPEDANCE ROLLER VDP0908



**VP-0438**  
OPTO COUPLER PN150



**VSS0048**  
SWITCH VSS0048

**VIDEODECK: PAN - III**



**VP-0450**  
CENTER CLUTCH VXP0600



**VP-0425**  
TENSION BAND VXZ0165



**VP-0441**  
FRONT LOADING MOTOR VEM0243



**VP-0455**  
WORM WHEEL UNIT 8619312327



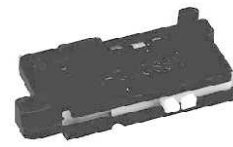
**VP-0407**  
IDLER ARM UNIT VXP0521



**VP-0461**  
A/C HEAD VBR0103A



**VP-0459**  
IMPEDANCE ROLLER VDP0908



**VSS0110**  
SWITCH



**VP-1120**  
MAINTENANCE KIT



**VP-0429**  
CAM GEAR VDG0200



**VP-0428**  
LOADING GEAR VXP0520

**VS-0310**  
SET REMENA

šifra: dimenzije:  
**REMK-017/2** 17.50 x 1.80 x 1.80  
**REMT-021/2** 21.00 x 0.90 x 6.00  
**REMK-048/2** 48.50 x 1.80 x 1.80  
**REMK-081/1** 81.00 x 2.00 x 2.00



**VP-0418**  
PINCH ROLLER 8619411130



**VP-1147**  
CASS. LOADING MOTOR



**VP-0438**  
OPTO COUPLER PN150



**VP-0418/4**  
PINCH ROLLER UNIT VXL1371



**VP-0453**  
CLUTCH GEAR UNIT VXP0599



**VP-1106**  
SENSOR/LED GL450

VIDEODECK: PAN - 201

 <p><b>VP-0413</b> FF IDLER VXPO245</p>	 <p><b>VP-0409</b> PLAY IDLER VXPO243</p>	 <p><b>VP-0437</b> PULLEY VXPO279</p>	<p><b>VS-0270</b> SET REMENA</p> <p>šifra:            dimenzije:</p> <p><b>REMT-102/1</b> 102.00 x 1.53 x 8.00</p> <p><b>REMT-102/2</b> 102.00 x 0.57 x 8.00</p> <p><b>REMT-102/3</b> 102.00 x 0.47 x 8.00</p> <p><b>REMK-120/2</b> 120.00 x 2.30 x 2.30</p> <p><b>REMK-023/2</b> 23.50 x 1.80 x 1.80</p> <p><b>REMO-024</b> 24.00 x 1.45 x 1.45</p> <p><b>REMO-052</b> 52.00 x 1.20 x 1.20</p> <p><b>REMK-060</b> 60.00 x 1.20 x 1.20</p> <p><b>REMK-075/1</b> 75.00 x 1.00 x 1.00</p> <p><b>REMK-079/1</b> 79.50 x 1.50 x 1.50</p>
 <p><b>VP-0412</b> IDLER TYRE VXPO0404</p>	 <p><b>VP-0414</b> REWIND ROLLER VXPO292</p>	 <p><b>VP-0420</b> SENSOR LAMP XAMV0019</p>	
 <p><b>VP-0418</b> PINCH ROLLER VXL1209</p>	 <p><b>VP-0410</b> RUBBER ROLLER</p>	 <p><b>VSS0042</b> SWITCH</p>	
 <p><b>VP-0418/3</b> PINCH ROLLER UNIT VXL1209</p>	 <p><b>VP-1147</b> LOADING MOTOR</p>	 <p><b>VSS0036</b> SWITCH</p>	

**VIDEODECK: PAN - 211**



**VP-0450**  
CENTER CLUTCH VXP0600



**VP-0461**  
A/C HEAD VBR0103A



**VP-0459**  
IMPEDANCE ROLLER VDP0908



**VP-0468**  
WORM WHEEL UNIT VXP0691



**VP-0407**  
IDLER ARM UNIT VXP0521



**VP-0429**  
CAM GEAR VDG0200



**VP-0428**  
LOADING GEAR VXP0520



**VSS0135**  
MODE SELECT SWITCH VSS0135



**VP-0418**  
PINCH ROLLER VXL1371



**VP-1147**  
CASS. LOADING MOTOR



**VP-0440**  
LOADING MOTOR 8619326402

**VS-1250**  
SET REMENA

šifra: dimenzije:  
**REMT-144** 144.00 x 0.70 x 7.00  
**REMK-048/2** 48.50 x 1.80 x 1.80  
**REMK-081/1** 81.00 x 2.00 x 2.00



**VP-0418/4**  
PINCH ROLLER UNIT VXL1371



**VP-0453**  
CLUTCH GEAR UNIT VXP0599



**VP-0438**  
OPTO COUPLER PN150



**VP-0425**  
TENSION BAND VXZ0165



**VP-0441**  
FRONT LOADING MOTOR VEM0243



**VP-1106**  
SENSOR/LED GL450



**VIDEODECK: PAN - 501**



**VP-0419**  
PINCH ROLLER



**VP-0438**  
PHOTO TRANSISTOR



**VP-1106**  
SENSOR / LED GL450



**VP-1107**  
SENSOR / LAMP LN58

**VIDEODECK: PAN - 503**



**VP-0418**  
PINCH ROLLER VXL0776



**VP-0463**  
LOADING GEAR UNIT VXP0325



**VP-1107**  
SENSOR PN150



**VP-0418/1**  
PINCH ROLLER UNIT VXL0776



**VP-0443**  
LOADING MOTOR VEM0135

**VIDEODECK: PAN - 504**



**VP-0407**  
IDLER ARM UNIT VXP0521



**VP-0418/2**  
PINCH ROLLER UNIT VXL1154



**VP-0438**  
OPTO COUPLER PN150



**VP-0466**  
TENSION BAND VXZ0245



**VP-0418**  
PINCH ROLLER VXL1154



**VP-0425**  
TENSION BAND VXZ0165



**VP-1106**  
SENSOR / LED GL450

**VS-0300**  
SET REMENA

šifra: dimenzije:  
**REMK-025/2** 25.00 x 2.00 x 2.00  
**REMK-052/1** 52.50 x 1.60 x 1.60  
**REMK-081/1** 81.00 x 2.00 x 2.00

**VIDEODECK: PAN - 506**



**VP-2460**  
CLEANER ARM UNIT VXL2251



**VP-2450**  
DIRECT LEVER UNIT VXL2230



**VP-2447**  
SUB CAM GEAR VDG0885



**VP-2459**  
TAKE UP LOADING ARM(R)VXL2300



**VP-2458**  
IDLER ARM UNIT VXL2229



**VP-2462**  
LOADING MOTOR VEM0427



**VP-2448**  
SUPPLY BRAKE ARM (L) VXZ0312



**VP-2454**  
TAKE UP REEL GEAR(R)VDG0957



**VP-2445/1**  
PINCH ROLLER UNIT VXL2246



**VP-2463**  
MAIN CAM GEAR VDG0913



**VP-2451**  
SUPPLY LOADING ARM (L) VXL2299



**VP-2455**  
TENSION ROLLER VXA4799



**VP-2461**  
TENSION BAND VXZ0310



**VP-2446**  
P5 ARM UNIT VXL2306



**VP-2453**  
SUPPLY REEL GEAR (L) VDG0956



**VP-2457**  
WORM WHEEL GEAR VDG0868



**VP-2452**  
CENTRE CLUTCH VXP1409



**VP-2456**  
SS CAPSTAN BRAKE BASE VXA5138



**VP-2449**  
TAKE UP BRAKE ARM (R) VXZ0313

**VSS0365**  
MODE SWITCH VSS0365

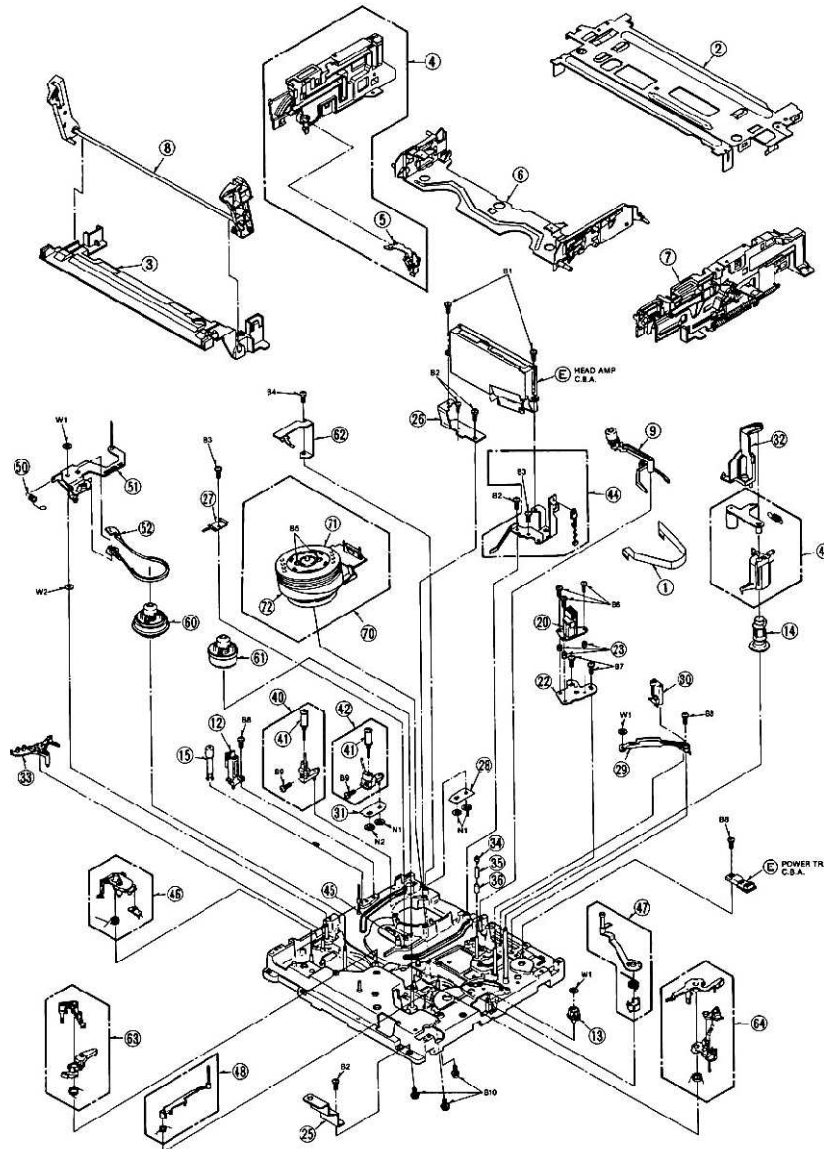
**VIDEODECK: PAN - 506**

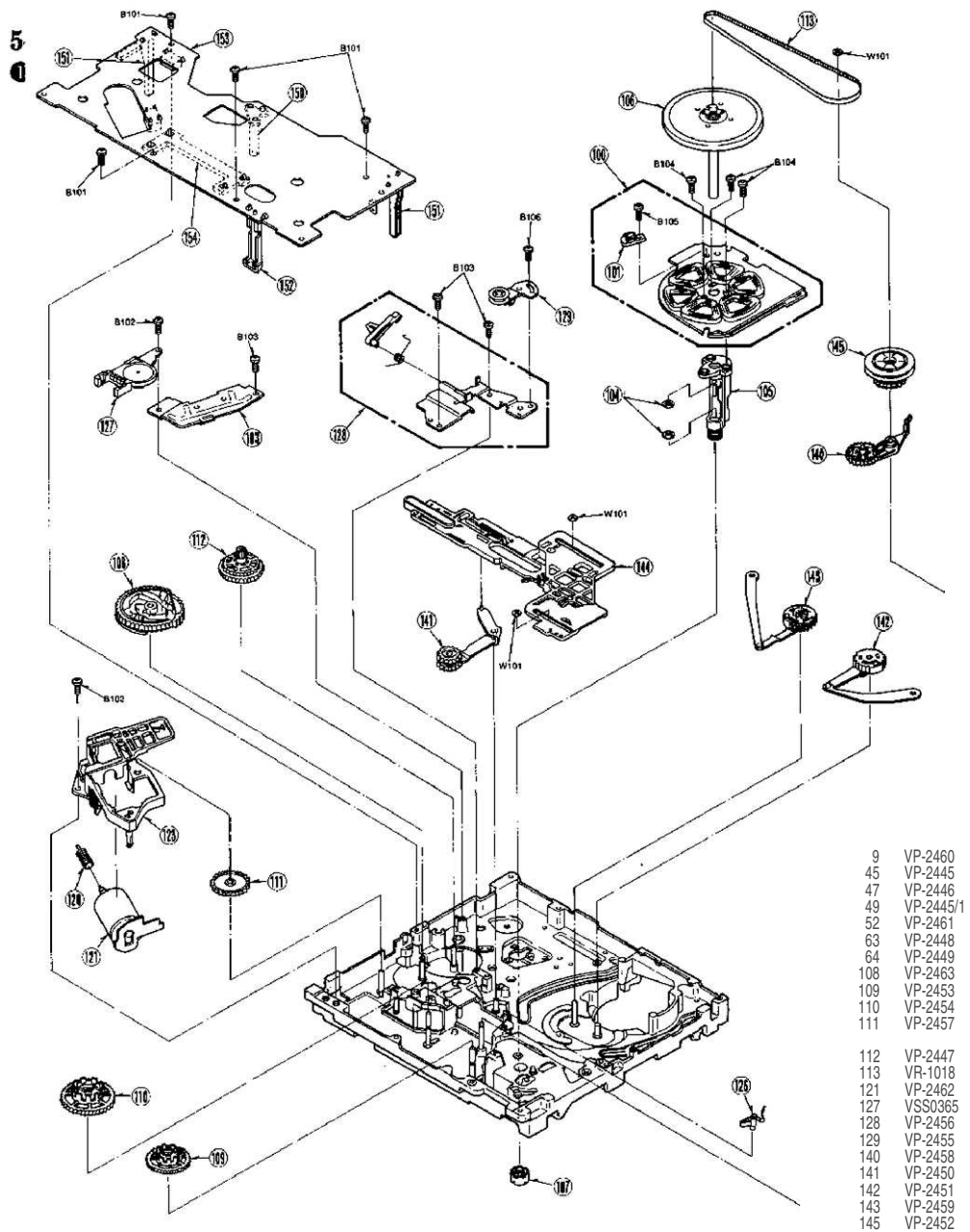
9	VP-2460	112	VP-2447
45	VP-2445	113	VR-1018
47	VP-2446	121	VP-2462
49	VP-2445/1	127	VSS0365
52	VP-2461	128	VP-2456
63	VP-2448	129	VP-2455
64	VP-2449	140	VP-2458
108	VP-2463	141	VP-2450
109	VP-2453	142	VP-2451
110	VP-2454	143	VP-2459
111	VP-2457	145	VP-2452

**VR-1018**  
VIDEO REMEN

**VP-2474**  
MAIN LEVER UNIT    VXL2307

**VP-2445**  
PINCH ROLLER    VXL2246





VIDEODECK: PAN -507



**VP-2420**  
CLEANER ARM UNIT VXL2086



**VP-0434**  
PINCH ROLLER VXL1743



**VP-0488**  
CAM FOLLOVER ARM VXL1632



**VP-0475**  
CLUTCH SPRING VMB1558



**VP-2419**  
CLEANER ROLLER VXP1269



**VP-0434/1**  
PINCH ROLLER UNIT VXL1858



**VP-2410**  
CASSETTE HOLDER VXA3840



**VP-2436**  
CONNECTION GEAR VDG0664



**VP-2437**  
CLUTCH DISK VDG0547



**VP-0481**  
PLAY ARM UNIT VXL1861



**VP-0473**  
CENTRE GEAR VDG0348



**VP-2413**  
CUT WASHER VMX1079



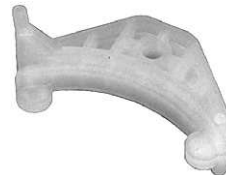
**VP-2466**  
MAINT.KIT(LOWER SIDE)VUA4116KIT



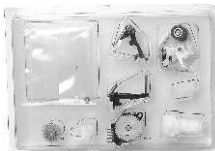
**VP-0482**  
SUB LOADING ARM VXL1857



**VP-2411**  
CENTRE PULLEY (IDLER) VXP1050



**VP-0489**  
DETENT ARM VML1861



**VP-2465**  
MAINT.KIT(UPPER SIDE) VUA4115KIT



**VP-0465**  
TENSION BAND VXZ0267



**VP-2424**  
CHANGE LEVER VML1859



**VP-0477**  
DRIVE DISK VDG0335

VIDEODECK: PAN - 507



**VP-0492**  
INTERMEDIATE GEAR VDG0546



**VP-2440**  
LOADING GEAR (T) VDG0564



**VP-0447**  
P5 UNIT VXL2027



**VP-2422**  
PLANET GEAR VDG0345



**VP-2433**  
LOADING ARM (S) UNIT VXL1487



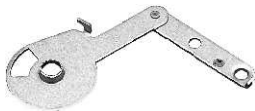
**VP-0476**  
LOCK SLIDE GEAR VDG0350



**VP-2406**  
PINCH CAM VDG0336



**VP-2409**  
RELEASE LEVER VML1860



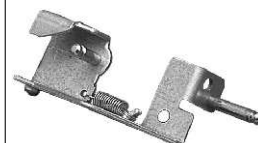
**VP-2431**  
LOADING ARM (T) UNIT VXL1489



**VP-0483**  
MAIN CAM GEAR VDG0574



**VP-2414**  
PINCH CAM CAP VMX1353



**VP-2425**  
RELEASE LEVER VXA2672



**VP-0491**  
LOADING CAM GEAR VDG0448



**VP-2423**  
MAIN SHAFT UNIT VXP0987



**VP-2434**  
PINCH CAM KIT VDG0421



**VP-0474**  
RETAINER GEAR VDG0422



**VP-2432**  
LOADING GEAR (S) VDG0419



**VP-0486**  
P5 PULL OUT GEAR VDG0597



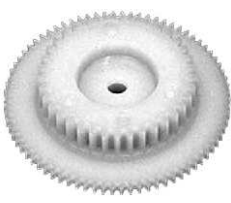








**VP-0487**  
PINCH SPEEDDOWN GEAR VDG0483




**VP-2427**  
RETURN LEVER (L) VML1857

VIDEODECK: PAN -507

 <p><b>VP-2426</b> RETURN LEVER (R) VML1858</p>	 <p><b>VP-2408</b> SPRING FOR VP-0482 VMB1566</p>	 <p><b>VP-0498</b> TAKE UP REEL GEAR VXP1002</p>	<p><b>VSS0175</b> MODE SWITCH VSS0175</p> <hr/> <p><b>VR-1007</b> VIDEO REMEN</p>
 <p><b>VP-0478</b> RING GEAR VDG0342</p>	 <p><b>VP-2402</b> SS BRAKE ARM VXL2088</p>	 <p><b>VP-2444</b> TENSION ROLLER VXA3516</p>	
 <p><b>VP-2435</b> SOLENOID UNIT VXA3735</p>	 <p><b>VP-0472</b> SUB CAM GEAR VDG0343</p>	 <p><b>VP-2414</b> PINCH CAM CAP VMX1353</p>	







VIDEODECK: PHI - 002

 <p><b>528.90321</b> PINCH ROLLER WD09 528.90321 &gt;</p>	<p><b>528.90307</b> PINCH ROLLER WD09 528.90307 &gt;</p>		
--	--	--	--

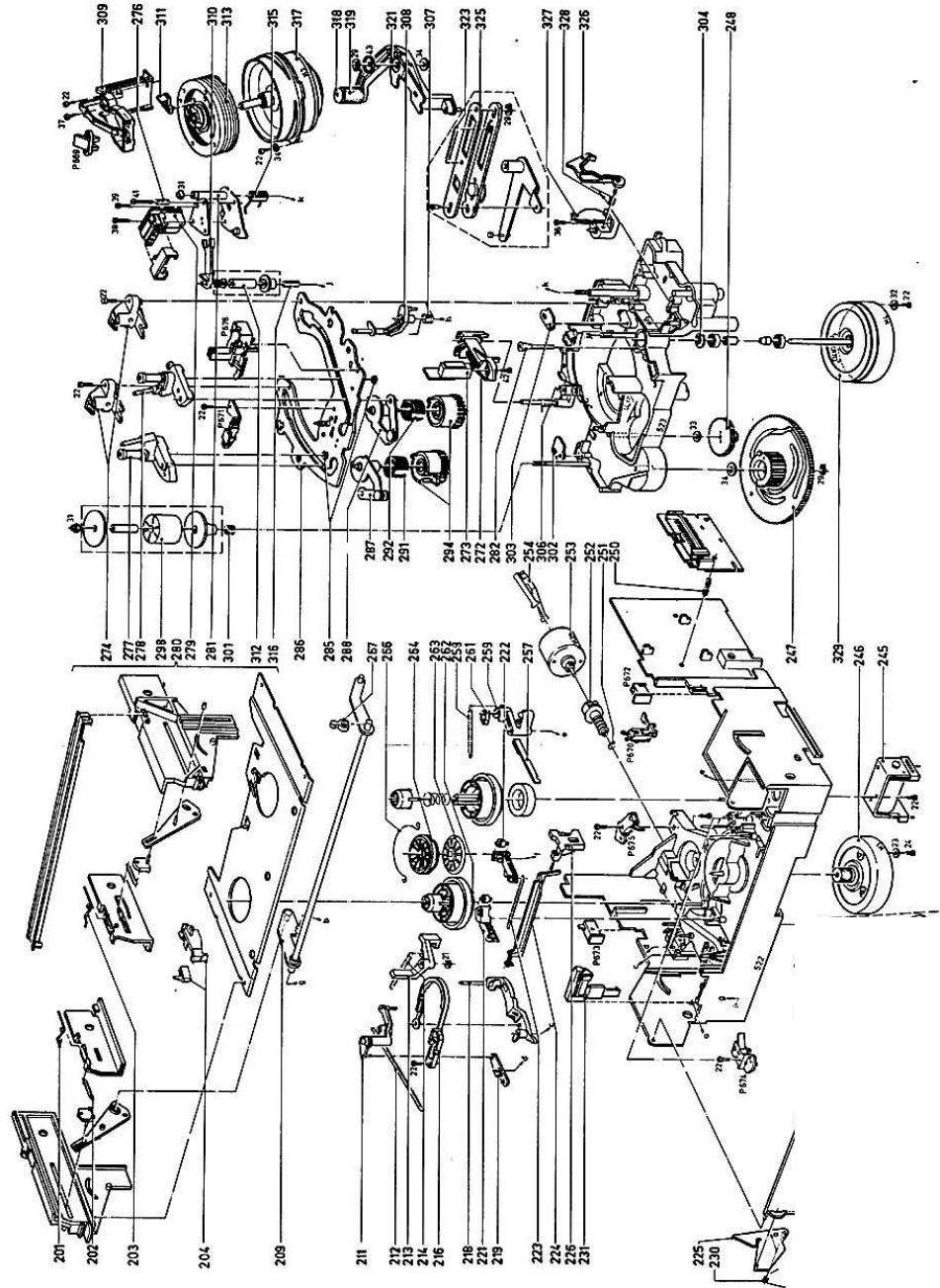
VIDEODECK: PHI - 003

<p><b>691.20168</b> CONTACT BRIDGE 691.20168</p>	<p><b>VP-0908</b> PINCH ROLLER 528.70393</p>		
--	--	--	--

**VIDEODECK: PHI - 004**

 <p><b>310.31901</b> IDLER+PINCH ROLL. KIT 522.20334</p>	 <p><b>691.20312</b> LIFT 691.20312</p>	<p><b>361.20499</b> COMMANDO MOTOR M2361.20499</p>	<p><b>492.32458</b> SPRING 492.32458</p>
 <p><b>321.30297</b> TENSION BAND 321.30297</p>	 <p><b>466.81365</b> SLIDE BLOCK 466.81365</p>	<p><b>361.20541</b> COMMANDO MOTOR M2361.20541</p>	<p><b>492.63196</b> SPRING 492.63196</p>
 <p><b>528.70638</b> BRAKE ROLLER 528.90472</p>	<p><b>532.11172</b> BEARINGRING 532.11172</p>	<p><b>691.20168</b> CONTACT BRIDGE 691.20168</p>	<p><b>492.41219</b> SPRING 492.41219</p>
 <p><b>403.52252</b> LEVER 403.52252</p>	<p><b>466.40167</b> BRAKE 466.40167</p>	<p><b>403.52097</b> DRIVE LEVER 403.52097</p>	<p><b>310.31901</b> SPRING (ONLY IN KIT)</p>
	<p><b>526.20113</b> BRAKE MAGNET 526.20113</p>	<p><b>522.31815</b> GEAR 522.31815</p>	<p><b>218.20425</b> TRANSMITTER 218.20425</p>
	<p><b>462.40721</b> CAP 462.40721</p>	<p><b>403.52092</b> LEVER 403.52092</p>	<p><b>466.21014</b> CAM GEAR 466.21014</p>
	<p><b>403.52247</b> CASS.LEVER 403.52247</p>	<p><b>443.61465</b> LIFT TOPPLATE 443.61465</p>	<p><b>403.52096</b> BACK TENSION ARM 403.52096</p>
	<p><b>249.10352</b> COMBI HEAD 249.10222</p>	<p><b>528.10503</b> REEL TABLE 528.10503</p>	
		<p><b>403.52197</b> REVERSE LEVER 403.52197</p>	
		<p><b>466.91539</b> SLIDERPLATE 466.91539</p>	
		<p><b>492.32423</b> SPRING 492.32423</p>	





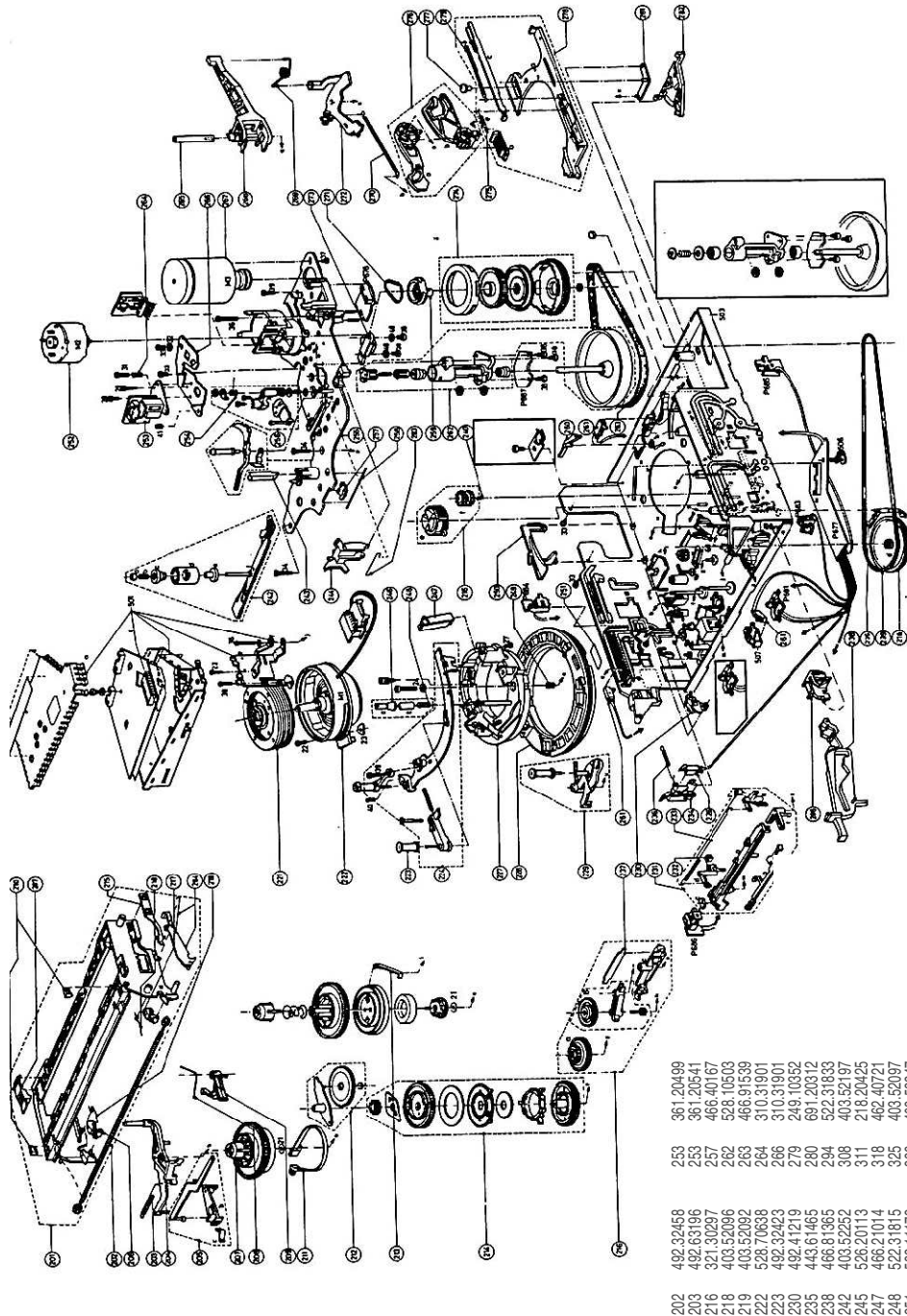
- 482.32458
- 202 482.63196
- 203 321.30297
- 216 403.52096
- 218 403.52092
- 219 403.52092
- 222 528.70638
- 223 492.32423
- 230 492.41219
- 235 443.61465
- 238 466.81365
- 242 403.52252
- 245 526.20113
- 247 466.21014
- 248 522.31815
- 251 532.11172
- 253 361.20489
- 253 361.20541
- 257 466.40167
- 262 528.10503
- 263 466.91539
- 264 310.31901
- 266 310.31901
- 279 249.10352
- 280 691.20312
- 284 522.31633
- 308 403.52197
- 311 218.20425
- 318 462.40721
- 325 403.52097
- 326 403.52247
- 202 492.32458
- 203 482.63196
- 216 321.30297
- 218 403.52096
- 219 403.52092
- 222 528.70638
- 223 492.32423
- 230 492.41219
- 235 443.61465
- 238 466.81365
- 242 403.52252
- 245 526.20113
- 247 466.21014
- 248 522.31815
- 251 532.11172
- 253 361.20489
- 253 361.20541
- 257 466.40167
- 262 528.10503
- 263 466.91539
- 264 310.31901
- 266 310.31901
- 279 249.10352
- 280 691.20312
- 284 522.31633
- 308 403.52197
- 311 218.20425
- 318 462.40721
- 325 403.52097
- 326 403.52247
- 202 492.32458
- 203 482.63196
- 216 321.30297
- 218 403.52096
- 219 403.52092
- 222 528.70638
- 223 492.32423
- 230 492.41219
- 235 443.61465
- 238 466.81365
- 242 403.52252
- 245 526.20113
- 247 466.21014
- 248 522.31815
- 251 532.11172
- 253 361.20489
- 253 361.20541
- 257 466.40167
- 262 528.10503
- 263 466.91539
- 264 310.31901
- 266 310.31901
- 279 249.10352
- 280 691.20312
- 284 522.31633
- 308 403.52197
- 311 218.20425
- 318 462.40721
- 325 403.52097
- 326 403.52247

VIDEODECK:PHI - 005

 <p><b>528.70458</b> IDLER WHEEL 528.70458</p>	 <p><b>528.70638</b> BRAKE ROLLER 528.90472</p>	 <p><b>528.20428</b> COUPLING (IDLER) 528.20428</p>	 <p><b>528.70642</b> TAPE ROLLER 528.81057</p>
 <p><b>403.40205</b> PINCH ROLLER UNIT 403.40205</p>	 <p><b>691.20366</b> CASSETTE HOUSE 691.20366</p>	 <p><b>528.20677</b> CRANK(NEW VERSION) 528.20677</p>	 <p><b>528.20431</b> CRANK (PULLEY) 528.20431</p>
 <p><b>403.20208</b> P.ROLLER CLAMP ARM 403.20208</p>	 <p><b>462.30559</b> CASSETTE SIDE PLATES 462.30559</p>	 <p><b>403.20206</b> LIFT LEVER 403.20206</p>	 <p><b>522.32427</b> DIFFERENTIAL GEAR 522.21072</p>
 <p><b>310.31803</b> SERVICE KIT (CHARLY) SBC7010</p>	 <p><b>403.53377</b> CHARLY RACKS LIDER KIT 403.53377</p>	 <p><b>403.20238</b> LIFT LEVER 403.20204</p>	<p><b>358.20244</b> DRIVING BELT 358.20244</p> <p><b>358.30496</b> DRIVING BELT 358.30496</p>
 <p><b>466.40179</b> TENSION BAND 466.40179</p>	 <p><b>403.30473</b> CONTROL LEVER 403.30473</p>	 <p><b>271.30441</b> MICRO SWITCH 271.30441</p>	<p><b>522.20372</b> PRESSURE UNIT 522.20372</p> <p><b>403.52496</b> 180gr ROLLER ASSY 528.70641</p> <p><b>466.81643</b> BLOCK 466.81643</p>

VIDEODECK:PHI - 005

<b>466.91705</b> BLOCK 466.91705	<b>522.31958</b> GEAR WHEEL SET 522.31958	<b>403.52474</b> REVERSE LEVER 403.52474	<b>492.32812</b> SPRING (OLD) 492.32812
<b>403.53556</b> BRACKET 403.53556	<b>403.52881</b> LEVER 403.52881	<b>691.20369</b> SCANNER RING 691.20369	<b>361.21241</b> THREADING MOTOR M2361.20602
<b>403.52949</b> BRACKET 403.52949	<b>522.31957</b> LEVER 522.31957	<b>492.63254</b> SPRING 492.63254	<b>532.21073</b> THREADING RING 532.21073
<b>403.52476</b> BRACKET 403.52476	<b>403.52473</b> LEVER 403.52473	<b>492.32811</b> SPRING 492.32811	<b>VS-0880</b> SET REMENA
<b>466.40181</b> BRAKE 466.40181	<b>403.20204</b> LEVER 403.20204	<b>403.53207</b> SPRING 403.53207	šifra: dimenzije: <b>REMK-128/1</b> 128.00 x 1.60 x 1.60 <b>REMK-019/3</b> 19.30 x 1.50 x 1.50 <b>REMT-088/1</b> 88.50 x 0.60 x 4.80
<b>403.10257</b> BRAKE ARM 403.10257	<b>403.52486</b> LEVER 403.52486	<b>492.63258</b> SPRING 492.63258	
<b>520.10559</b> CAPSTAN ASSY 520.10559	<b>403.53284</b> LOCKING BLOCK 403.53284	<b>492.41341</b> SPRING 492.41341	
<b>403.52476</b> CASSETTE OPENER 403.52476	<b>466.81642</b> PLATE 466.81642	<b>492.32538</b> SPRING 492.32538	
<b>249.10352</b> COMBI HEAD 249.10245	<b>403.53862</b> RACK SLIDER 403.53862	<b>492.32542</b> SPRING 492.32542	
<b>403.52488</b> COUNTERFORCE BRAKE 403.52488	<b>276.11561</b> RECORD SAFETY SWITCH 276.11561	<b>492.63261</b> SPRING BLADE 492.63261	
<b>462.40993</b> COVER 462.40993	<b>528.10523</b> REEL DISK 528.10523	<b>492.42019</b> SPRING (NEW) 492.42019	

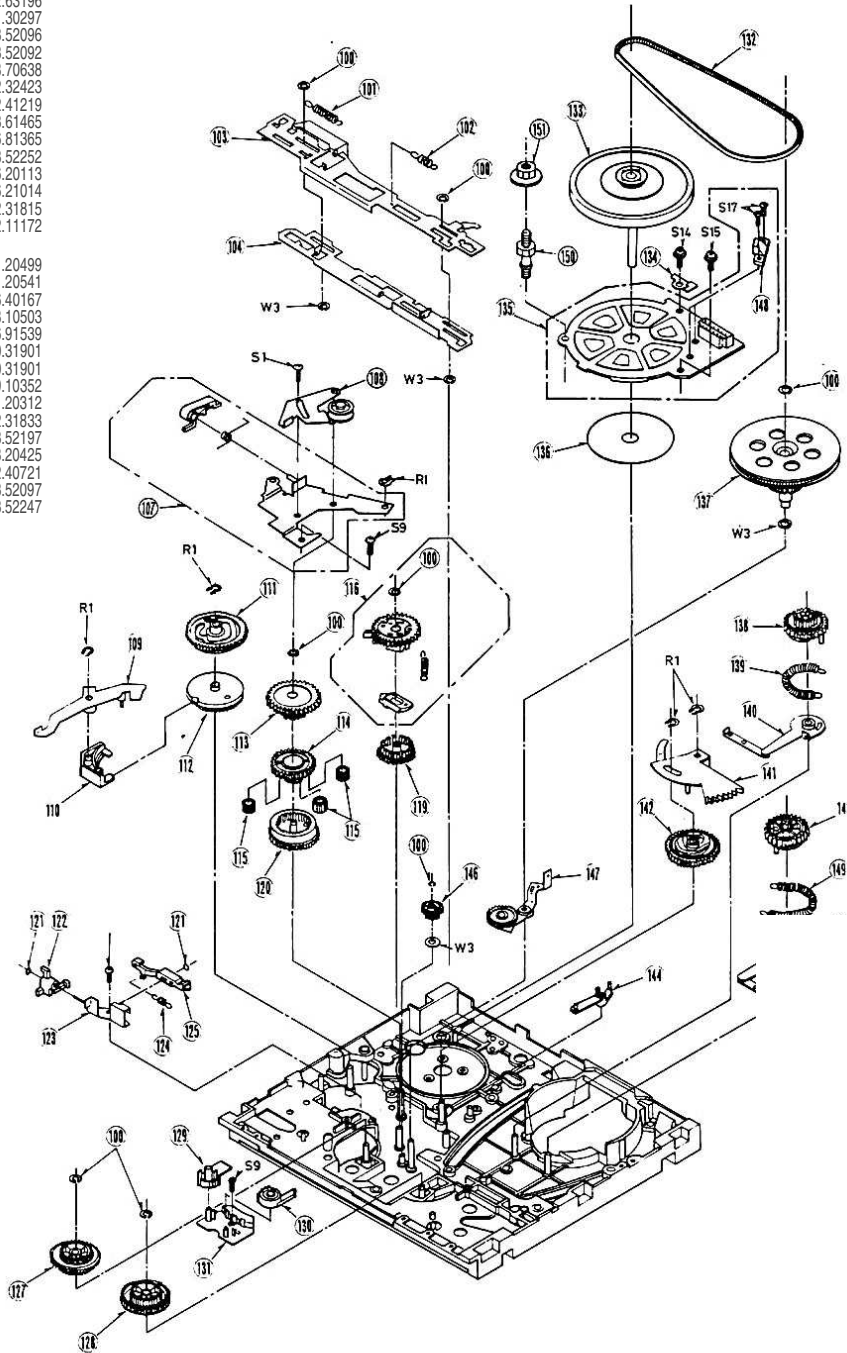


18000 Niš, Jovana Ristića 7, P.O.Box 135, Tel: 018 / 520-455, 522-814, 522-965, Fax: 522-660  
<http://www.MGelectronic.co.yu> e-mail: office@MGelectronic.co.yu

VIDEODECK: PHI - 005

- 202 492.32458
- 203 492.63196
- 216 321.30297
- 218 403.52096
- 219 403.52092
- 222 528.70638
- 223 492.32423
- 230 492.41219
- 235 443.61465
- 238 466.81365
- 242 403.52252
- 245 526.20113
- 247 466.21014
- 248 522.31815
- 251 532.11172

- 253 361.20499
- 253 361.20541
- 257 466.40167
- 262 528.10503
- 263 466.91539
- 264 310.31901
- 266 310.31901
- 279 249.10352
- 280 691.20312
- 294 522.31833
- 308 403.52197
- 311 218.20425
- 318 462.40721
- 325 403.52097
- 326 403.52247

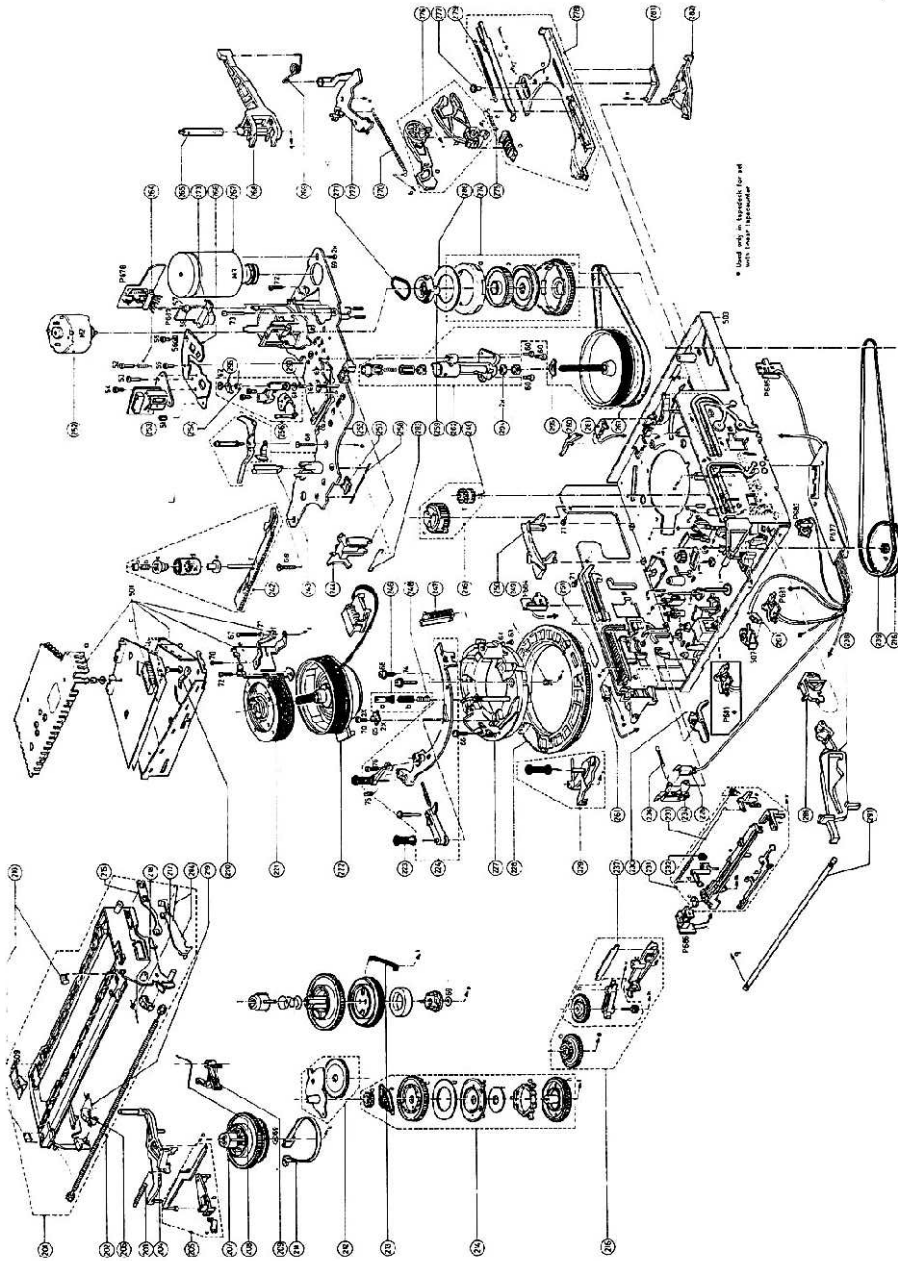


VIDEODECK:PHI - 006

			
<p><b>528.70746</b> CLEANING ROLLER ASSY 528.70746</p>	<p><b>310.31803</b> SERVICE KIT SBC7010</p>	<p><b>403.30473</b> CONTROL LEVER 403.30473</p>	<p><b>403.20206</b> LIFT LEVER 403.20206</p>
			
<p><b>528.70458</b> IDLER WHEEL 528.70458</p>	<p><b>528.70638</b> BRAKE ROLLER 528.70638</p>	<p><b>528.20428</b> COUPLING (IDLER) 528.20428</p>	<p><b>271.30441</b> MICRO SWITCH 271.30441</p>
			
<p><b>403.40205</b> PINCH ROLLER UNIT 403.40205</p>	<p><b>466.40179</b> TENSION BAND 466.40179</p>	<p><b>528.20677</b> CRANK (PULLEY) 528.20677</p>	<p><b>528.70642</b> TAPE ROLLER 528.70642</p>
			
<p><b>403.20208</b> P. ROLLER CLAMP ARM 403.20208</p>	<p><b>691.20479</b> CASSETTE HOUSE 691.20479</p>	<p><b>403.20238</b> LIFT ARM 403.20238</p>	<p><b>358.20244</b> DRIVING BELT 358.20244</p>
			
<p><b>403.53377</b> RACK SLIDER KIT 403.53377</p>	<p><b>462.30559</b> CASSETTE SIDE PLATES 462.30559</p>	<p><b>522.32427</b> DIFFERENTIAL GEAR 522.32427</p>	<p><b>358.20265</b> DRIVING BELT 358.20265</p> <p><b>403.53862</b> RACK SLIDER 403.53862</p>
			<p><b>403.53842</b> SUB LOADING UNIT 403.53842</p>

**VIDEODECK:PHI - 006**

<b>403.52496</b> 180gr ROLLER ASSY 528.70641	<b>520.10635</b> CAPST. WHEEL shape = I   LOOK FROM SIDE !	<b>403.53284</b> LOCKING BLOCK 403.53284	<b>492.32812</b> SPRING (OLD) 492.32812
<b>466.81643</b> BLOCK 466.81643	<b>249.10352</b> COMBI HEAD 249.10352	<b>276.11561</b> RECORD SAFETY SWITCH 276.11561	<b>361.21241</b> THREADING MOTOR M2361.21242
<b>403.53867</b> BRACKET 403.53867	<b>403.53841</b> CONTOL ARM 403.53841	<b>403.52474</b> REVERSE LEVER 403.52474	<b>532.21073</b> THREADING RING 532.21073
<b>403.53556</b> BRACKET 403.53556	<b>403.52488</b> COUNTERFORCE BRAKE 403.52488	<b>492.32542</b> SPRING 492.32542	<b>VS-0880</b> SET REMENA šifra: dimenzije: <b>REMK-128/1</b> 128.00 x 1.60 x 1.60 <b>REMK-019/3</b> 19.30 x 1.50 x 1.50 <b>REMT-088/1</b> 88.50 x 0.60 x 4.80
<b>403.52949</b> BRACKET 403.52949	<b>462.40993</b> COVER 462.40993	<b>492.63254</b> SPRING 492.63254	<b>528.70198</b> PINCH ROLLER 528.70198
<b>403.52476</b> BRACKET 403.52476	<b>249.40252</b> ERASE HEAD 249.40252	<b>492.41341</b> SPRING 492.41341	
<b>466.40181</b> BRAKE 466.40181	<b>522.31958</b> GEAR WHEEL SET 522.31958	<b>492.32538</b> SPRING 492.32538	
<b>403.10257</b> BRAKE ARM 403.10257	<b>403.53498</b> LEVER 403.53498	<b>492.32811</b> SPRING 492.32811	
<b>520.10559</b> CAPSTAN WHEEL READER ON BOTTOM !	<b>522.31957</b> LEVER 522.31957	<b>403.53207</b> SPRING 403.53207	
<b>535.92909</b> CAPST. WHEEL shape = I-I LOOK SIDE !	<b>522.32524</b> LOADING GEAR (T) 522.32524	<b>492.63258</b> SPRING 492.63258	

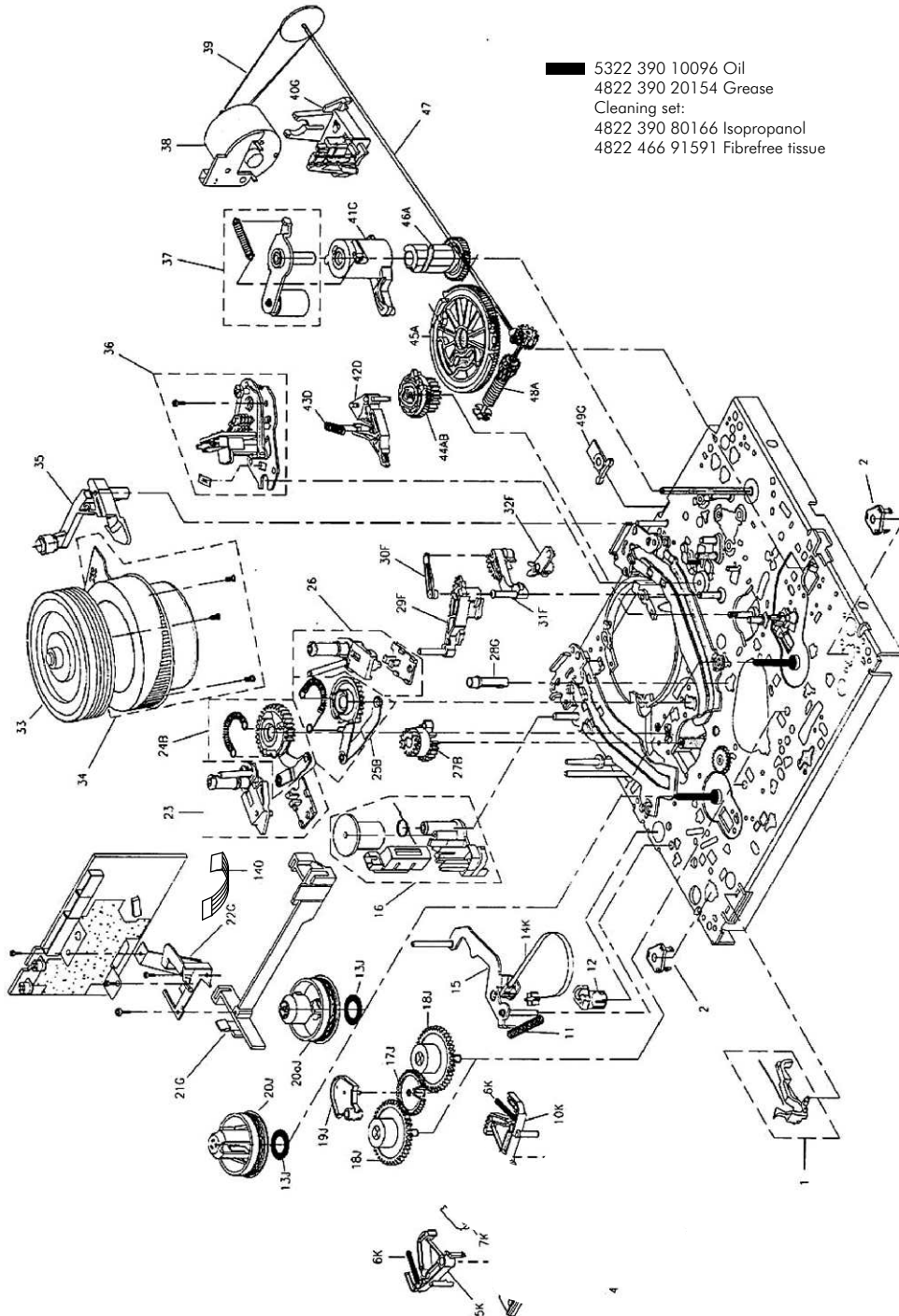


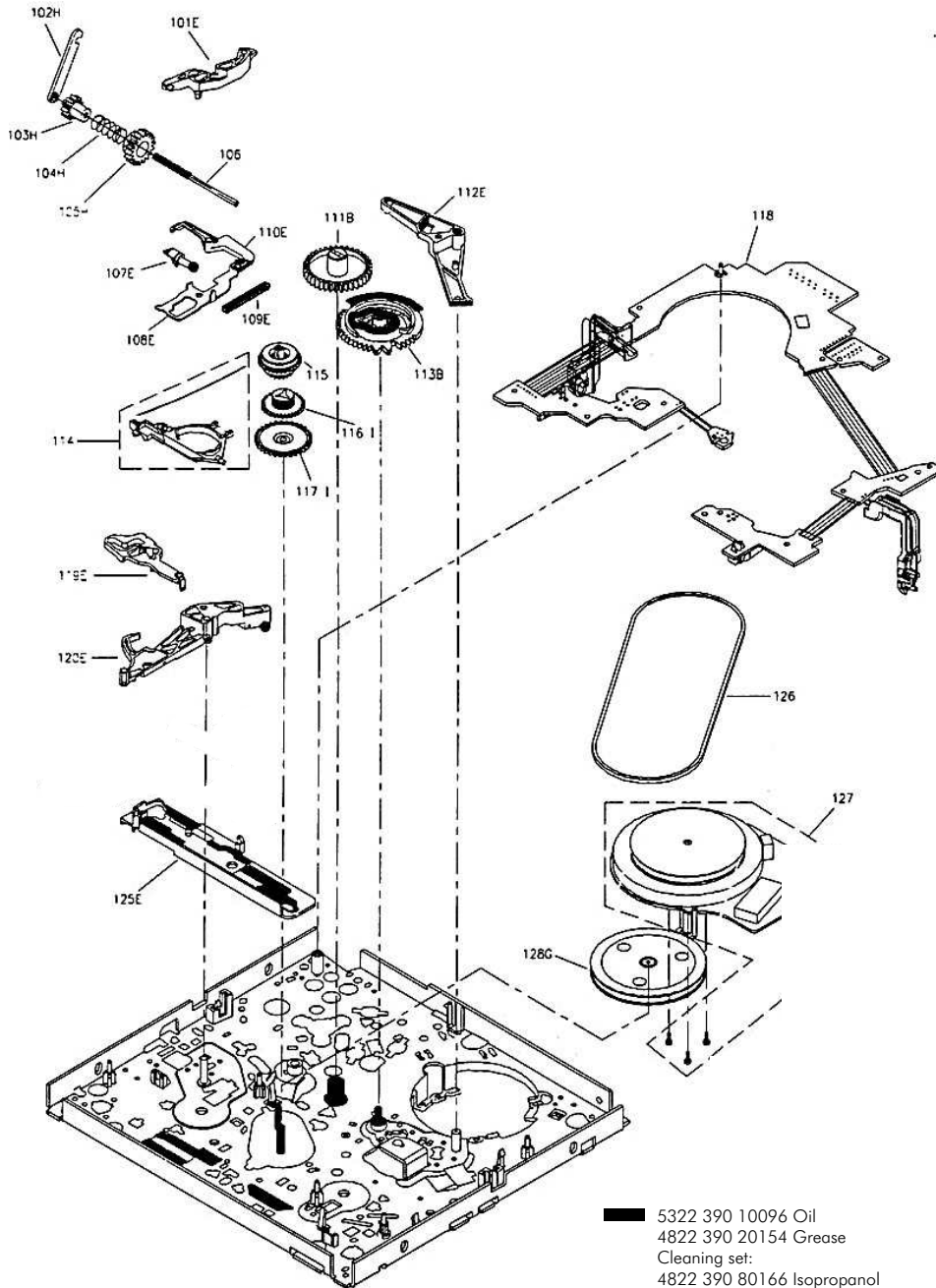
- 403.53041
- 691.20479
- 492.32538
- 403.53498
- 522.31957
- 492.32542
- 403.52488
- 466.40179
- 528.70458
- 403.10257
- 528.20428
- 322.31955
- 492.32812
- 528.70642
- 403.52496
- 276.11561
- 532.21073
- 403.53556
- 466.40181
- 528.70638
- 492.63268
- 358.20265
- 492.32811
- 403.40205
- 403.52476
- 249.40252
- 361.21241
- 249.10352
- 403.52474
- 466.81643
- 492.63264
- 528.20677
- 403.52949
- 271.30441
- 358.20244
- 403.20208
- 492.41341
- 358.30496
- 403.30473
- 522.32427
- 403.20206
- 278.403.53377
- 403.53862
- 403.53867
- 462.40383
- 403.53207

- 147
- 201
- 203
- 204
- 205
- 208
- 209
- 211
- 212
- 213
- 214
- 216
- 218
- 223
- 224
- 226
- 228
- 230
- 231
- 232
- 233
- 239
- 240
- 242
- 244
- 247
- 252
- 253
- 256
- 257
- 258
- 259
- 260
- 261
- 263
- 268
- 269
- 271
- 272
- 274
- 276
- 278
- 278
- 281
- 282
- 283



VIDEODECK: PHI - 503





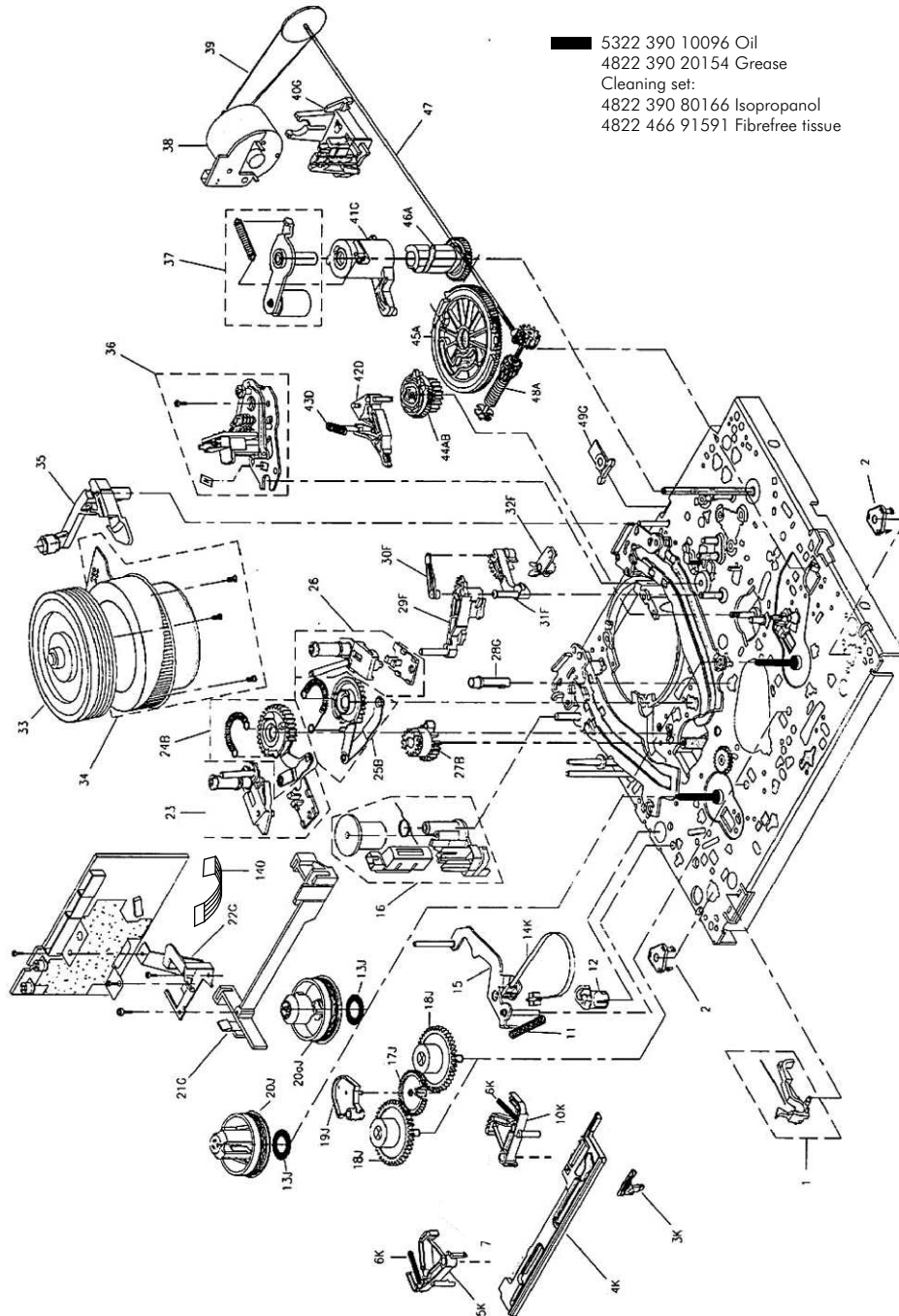
- 5322 390 10096 Oil
- 4822 390 20154 Grease
- Cleaning set:
- 4822 390 80166 Isopropanol
- 4822 466 91591 Fibrefree tissue

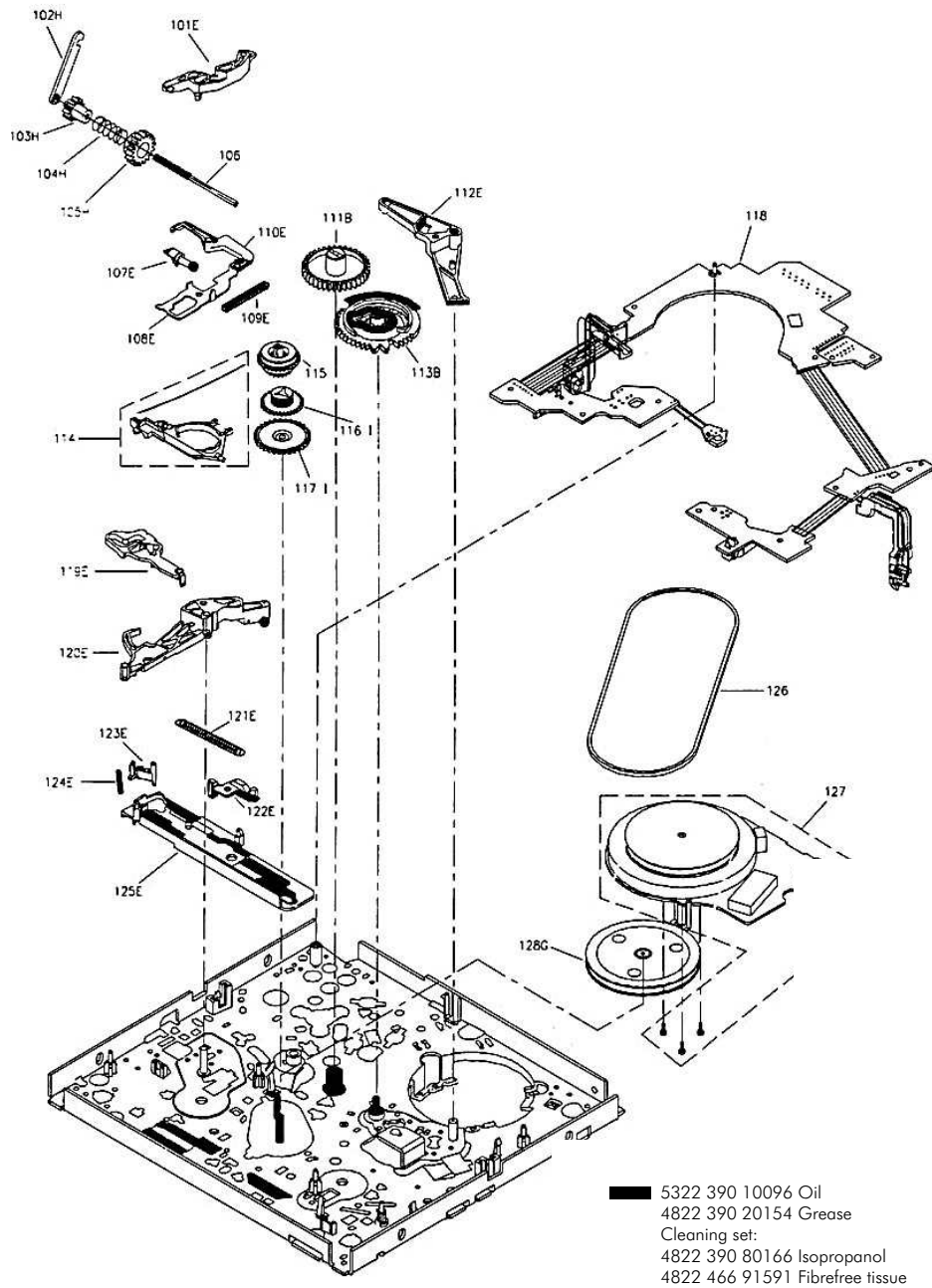
4.4 Partslist

Pos	Description	KIT's							Code number 4822
		B	F	I	J	L	M	N	
1.	Rec.protection lever (with spring)								403 70546
2.	Chassis mounting spring (2x)								492 71022
5.	Main brake left								P
6.	Main brake spring (2x)								P
10.	Main brake right								P
11.	Tension arm spring								492 33317
12.	Tension crank								403 70551
13.	Slip ring				J				
14.	Tension band								P
15.	Tension arm								403 70547
16.	Erase head								249 40293
17.	Swivelling gear				J				
18.	Brake gear (2x)				J				
19.	Swivelling plate				J				
20.	Reel table (S)				J				
20a.	Reel table (T)								
21.	Headamplifier holder						M		
22.	Bracket						M		
23.	Roller unit left								528 70771
24.	Loading arm left	B							
25.	Loading arm right	B							
26.	Roller unit right								528 70772
27.	Loading gear	B							
28.	Light prism						M		
29.	Index lever		F						
30.	Reverse clip		F						
31.	Reverse lever		F						
32.	Intermediate lever		F						
33.	Head disc 2/0								691 20926
33.	Head disc 2/0 - LP								691 20965
33.	Head disc 3/0								691 20937
33.	Head disc 4/0								691 21011
33.	Head disc 4/0 -secam								691 21012
34.	Scanner motor 2/0								361 21548
	Scanner motor 3/0								361 21549
	Scanner motor 4/0 (with screws)								361 21754
35.	Cleaning roller								528 70773
36.	A/C-Head with clip and screws								249 10468
37.	Pressure roller (with spring)								528 70774
38.	Threading motor								361 21486
39.	Threading belt								328 20421
40.	Motor holder						M		
41.	Pressure roller guide							N	
42.	Reverse brake								P
43.	Slider gear	B						N	

Pos	Description	KIT's							Code number 4822	
		B	F	I	J	L	M	N		P
45.	Cam wheel								N	P
46.	Cam shaft								N	
47.	Pulley shaft									528 81462
48.	Worm shaft								N	
49.	Chassis mounting clip						M			
101.	Cassette loader trigger						L			
102.	Clip						L			
103.	Cassette loader gear 1						L			
104.	Cassette loader spring						L			
105.	Cassette loader gear 2						L			
106.	Spindle									535 93277
111.	Cam wheel reverse	B								
112.	Tension lever							M		
113.	Cam wheel tension	B								
114.	Clutch lever (with spring)									503 70549
115.	Clutch									528 20736
116.	Changing gear			I						
117.	Double gear			I						
118.	Sensor print (with stud and rivet)									214 33758
120.	Cam wheel lever							M		
125.	Main slider							M		
126.	Driving belt									358 31166
127.	Capstan motor (with screws)									361 21484
128.	Gear pulley			I						
129.	Reverse kicker (with transmission gear *)									522 20451
140.	Flex cable									320 40287
150.	Lift									443 64112
	KIT B									310 31955
	KIT F									310 31959
	KIT I									310 31963
	KIT J									310 31996
	KIT L									310 32116
	KIT M									310 32188
	KIT N									310 32189
	KIT P									310 32191

VIDEODECK: PHI - 504

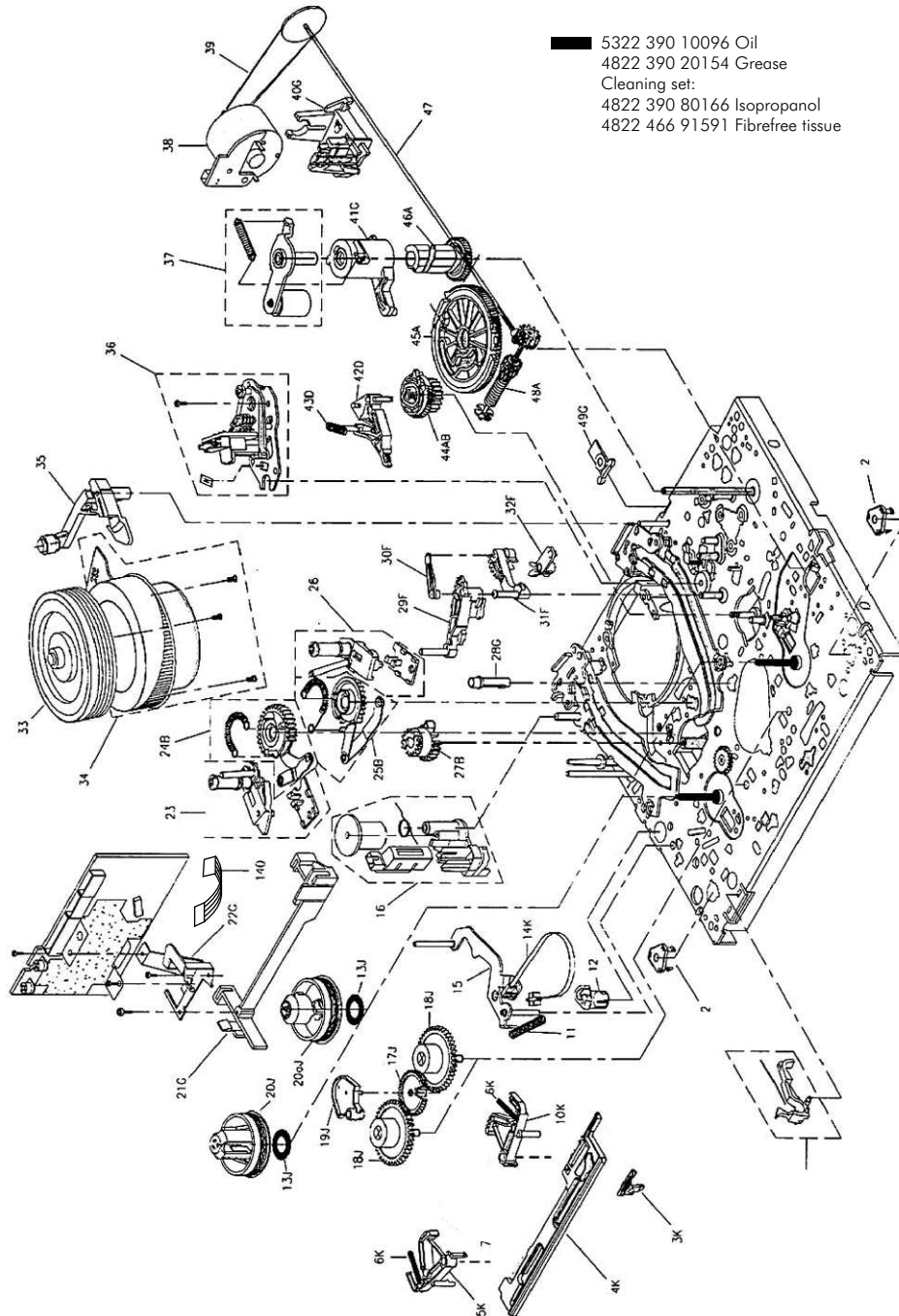




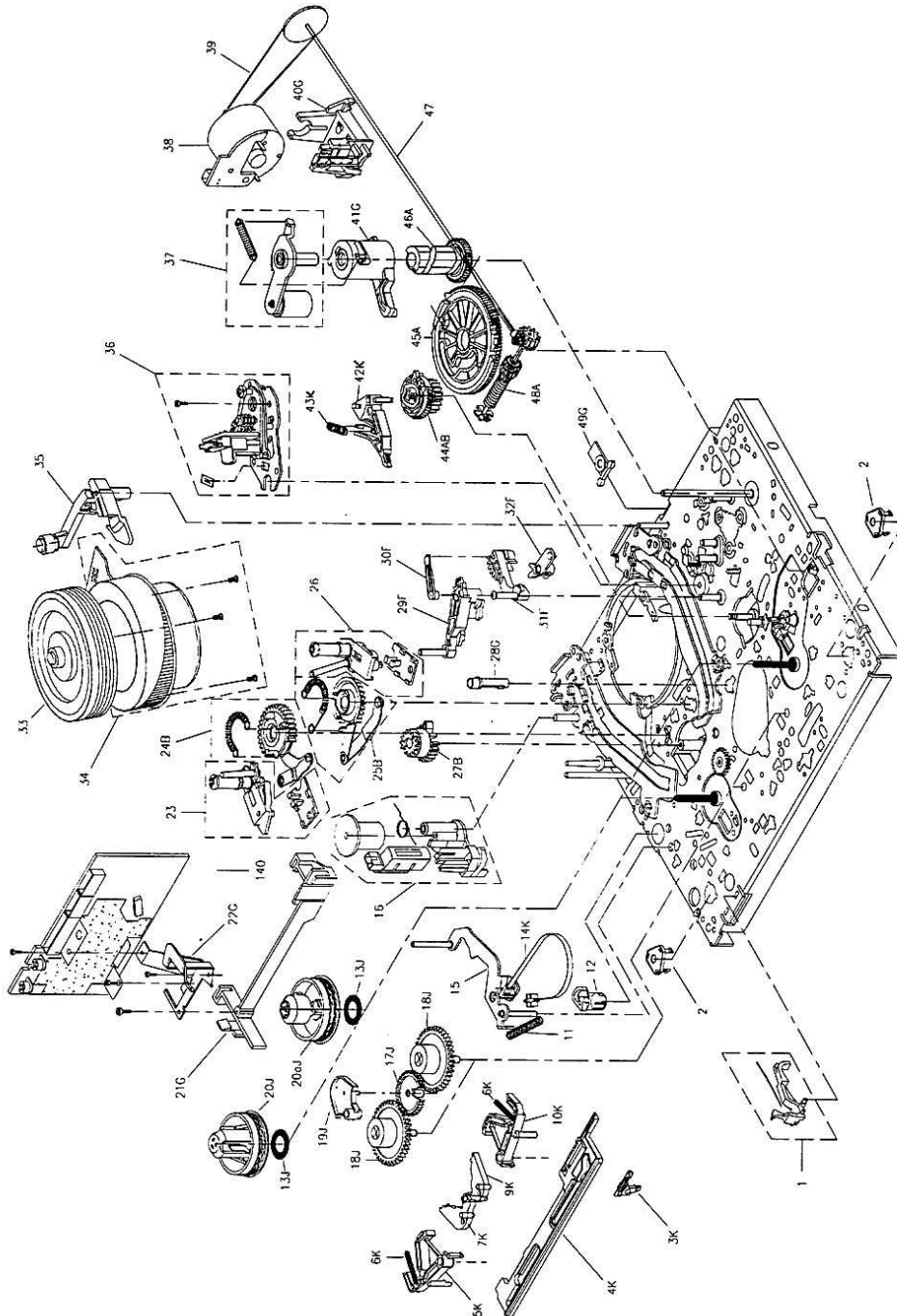
4.4 Partslist

Pos	Description	KIT's											Code number 4822
		A	B	E	F	G	I	J	K	L			
1.	Rec.protection lever (with spring)												403 70546
2.	Chassis mounting spring (2x)												492 71022
3.	Trigger lever											K	
4.	Trigger slider											K	
5.	Main brake left											K	
6.	Main brake spring (2x)											K	
10.	Main brake right											K	
11.	Tension arm spring												492 33317
12.	Tension crank												403 70551
13.	Slip ring										J		
14.	Tension band											K	
15.	Tension arm												403 70547
16.	Erase head												249 40293
17.	Swivelling gear										J		
18.	Brake gear (2x)										J		
19.	Swivelling plate										J		
20.	Reel table (S)										J		
20a.	Reel table (T)										J		
21.	Headamplifier holder					G							
22.	Bracket					G							
23.	Roller unit left												528 70771
24.	Loading arm left	B											
25.	Loading arm right	B											
26.	Roller unit right												528 70772
27.	Loading gear	B											
28.	Light prism					G							
29.	Index lever				F								
30.	Reverse clip				F								
31.	Reverse lever				F								
32.	Intermediate lever				F								
33.	Head disc 2/0												691 20926
33.	Head disc 3/0												691 20937
33.	Head disc 4/0												691 20938
34.	Scanner motor 2/0 (with screws)												361 21548
34.	Scanner motor 3/0 (with screws)												361 21549
34.	Scanner motor 4/0 (with screws)												361 10658
35.	Cleaning roller												528 70773
36.	A/C-Head with clip and screws												249 10468
37.	Pressure roller (with spring)												528 70774
38.	Threading motor												361 21486
39.	Threading belt												328 20421
40.	Motor holder					G							
41.	Pressure roller guide					G							
42.	Reverse brake											K	
44.	Slider gear	A	B										
45.	Cam wheel	A											
46.	Cam shaft	A											
47.	Pulley shaft												528 81462
48.	Worm shaft	A											
49.	Chassis mounting clip					G							
101.	Casette loader trigger											L	
102.	Clip											L	
103.	Casette loader gear 1											L	
104.	Casette loader spring											L	
105.	Casette loader gear 2											L	
106.	Spindle												535 93277
107.	Pulse roller				E								
108.	Pulse slider				E								
109.	Pulse slider spring				E								
110.	Pulse lever				E								
111.	Cam wheel reverse	B											
112.	Tension lever				E								
113.	Cam wheel tension	B											
114.	Clutch lever (with spring)												503 70549
115.	Clutch												528 20736
116.	Changing gear							I					
117.	Double gear							I					
118.	Sensor print S-VHS (with stud and rivet)												214 60155
119.	Main slider lever				E								
120.	Cam wheel lever				E								
121.	Slider spring				E								
122.	Clutch slider				E								
123.	Slider lever trigger				E								
124.	Slider lever spring				E								
125.	Main slider				E								
126.	Driving belt												358 31166
127.	Capstan motor (with screws)												361 21484
128.	Gear pulley							I					
129.	Reverse kicker (with transmission gears *)												522 20451
140.	Flex cable												320 40287
150.	Lift												443 64112
KIT	A												310 31954
KIT	B												310 31955
KIT	E												310 31958
KIT	F												310 31959
KIT	G												310 31961
KIT	I												310 31963
KIT	J												310 31996
KIT	K												310 31997
KIT	L												310 32116

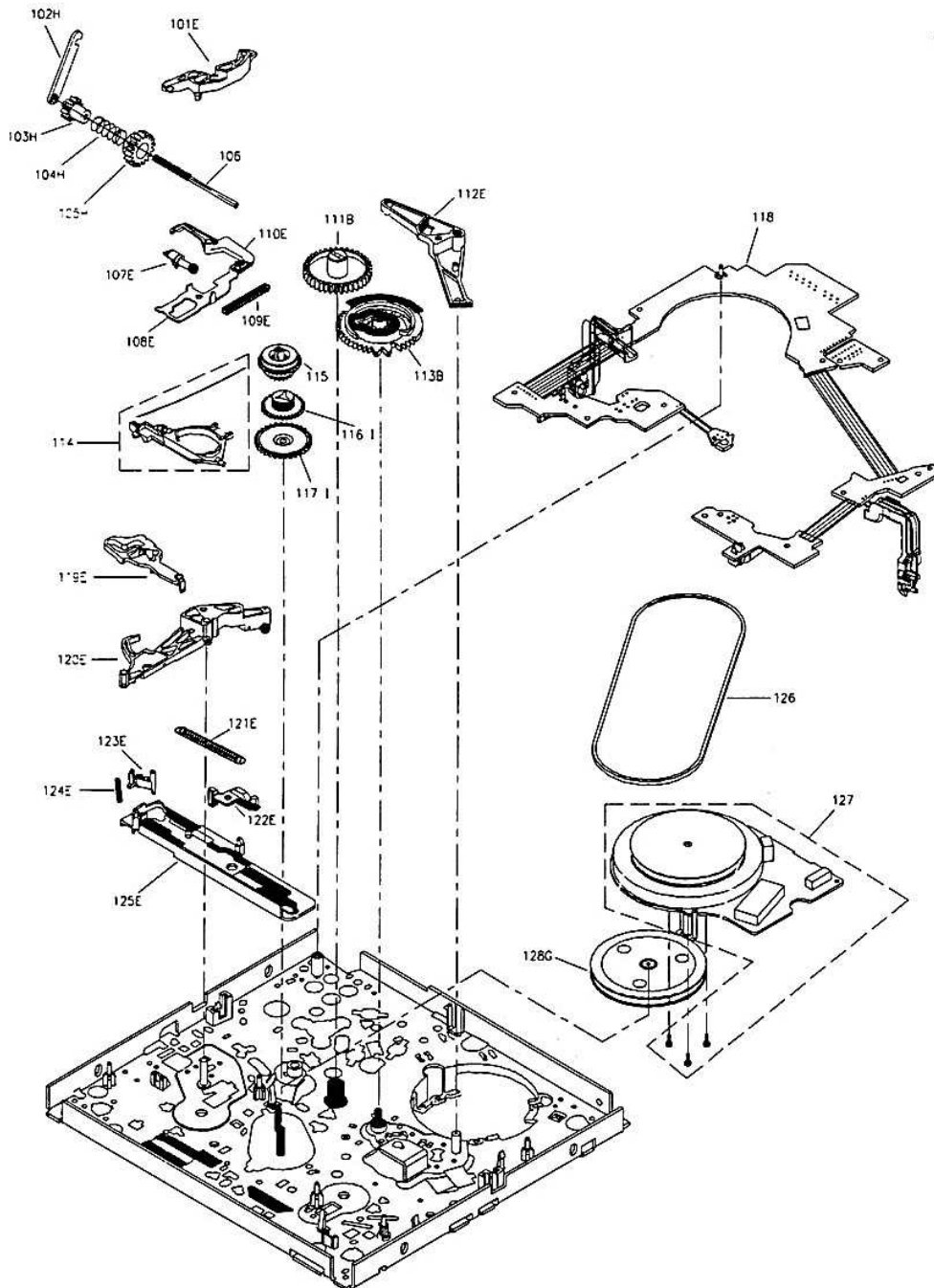
VIDEODECK: PHI - 504



VIDEODECK: PHI - 505

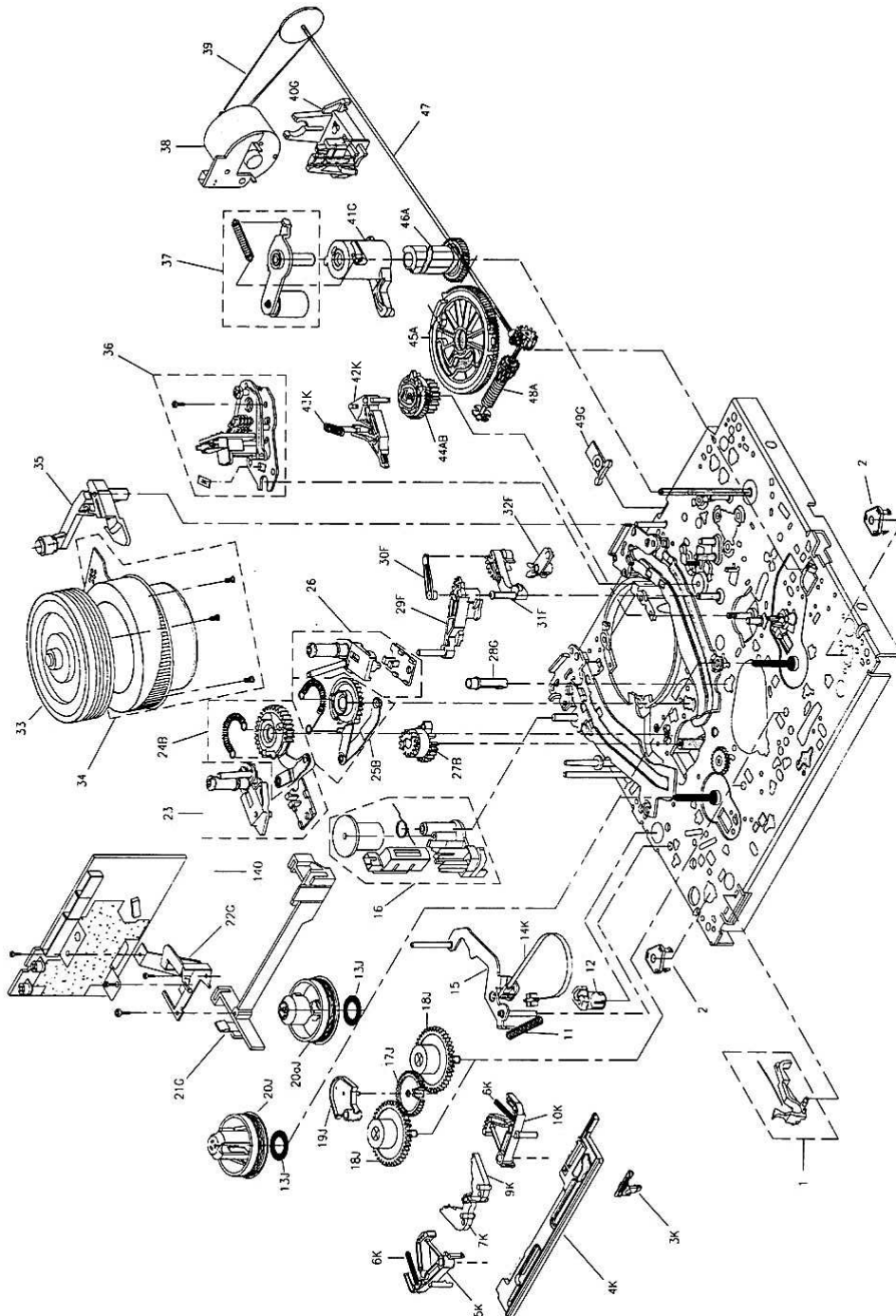


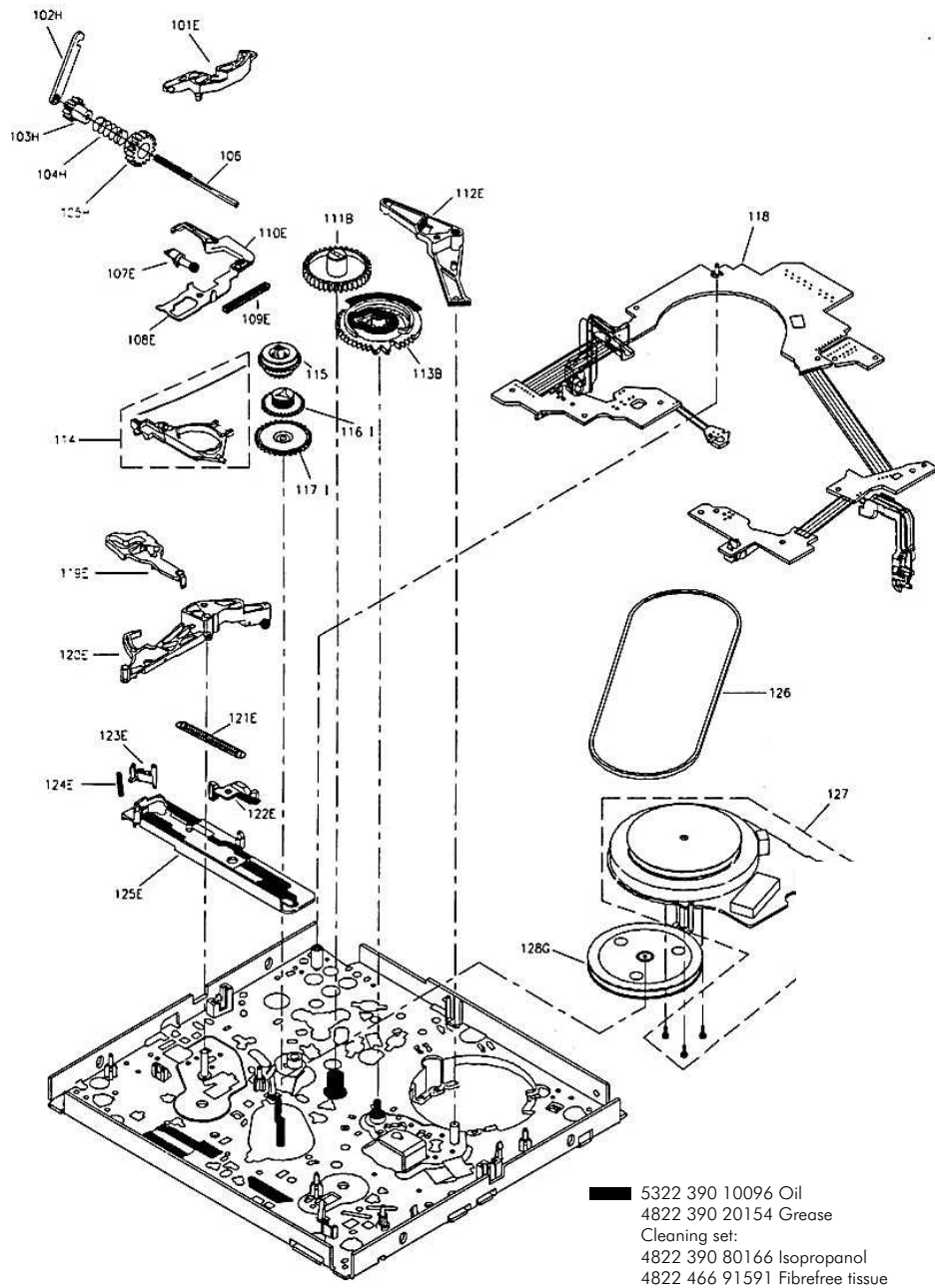




VIDEODECK: PHI - 505

Pos	Description	KIT's											Code number 4822
		A	B	E	F	G	H	I	J	K			
1.	Rec.protection lever (with spring)												403 70546
2.	Chassis mounting spring (2x)												492 71022
3.	Trigger lever											K	
4.	Trigger slider											K	
5.	Main brake left											K	
6.	Main brake spring (2x)											K	
10.	Main brake right											K	
11.	Tension arm spring												492 33317
12.	Tension crank												403 70551
13.	Slip ring									J			
14.	Tension band											K	
15.	Tension arm												403 70547
16.	Erase head												249 40293
17.	Swivelling gear									J			
18.	Brake gear (2x)									J			
19.	Swivelling plate									J			
20.	Reel table (S)									J			
20a.	Reel table (T)									J			
21.	Headamplifier holder					G							
22.	Bracket					G							
23.	Roller unit left												528 70771
24.	Loading arm left	B											
25.	Loading arm right	B											
26.	Roller unit right												528 70772
27.	Loading gear	B											
28.	Light prism					G							
29.	Index lever				F								
30.	Reverse clip				F								
31.	Reverse lever				F								
32.	Intermediate lever				F								
33.	Head disc 4/2												691 20528
34.	Scanner motor 4/2 (with screws)												361 21547
35.	Cleaning roller												528 70773
36.	A/C-Head with clip and screws												249 10468
37.	Pressure roller (with spring)												528 70774
38.	Threading motor												361 21486
39.	Threading belt												328 20421
40.	Motor holder					G							
41.	Pressure roller guide					G							
42.	Reverse brake											K	
43.	Reverse brake spring											K	
44.	Slider gear	A	B										
45.	Cam wheel	A											
46.	Cam shaft	A											
47.	Pulley shaft												328 81462
48.	Worm shaft	A											
49.	Chassis mounting clip					G							
101.	Casette loader trigger			E									
102.	Clip							H					
103.	Casette loader gear 1							H					
104.	Casette loader spring							H					
105.	Casette loader gear 2							H					
106.	Spindle												535 93277
107.	Pulse roller			E									
108.	Pulse slider			E									
109.	Pulse slider spring			E									
110.	Pulse lever			E									
111.	Cam wheel reverse	B											
112.	Tension lever			E									
113.	Cam wheel tension	B											
114.	Clutch lever (with spring)												503 70549
115.	Clutch												528 20736
116.	Changing gear							I					
117.	Double gear							I					
118.	Sensor print S-VHS (with stud and rivet)												214 60155
119.	Main slider lever			E									
120.	Cam wheel lever			E									
121.	Slider spring			E									
122.	Clutch slider			E									
123.	Slider lever trigger			E									
124.	Slider lever spring			E									
125.	Main slider			E									
126.	Driving belt												358 31166
127.	Capstan motor (with screws)												361 21484
128.	Gear pulley					G		I					
129.	Reverse kicker (with transmission gears *)												522 20451
140.	Flex cable												320 40287
150.	Lift												443 64112
KIT A	(SBC 710)												310 31954
KIT B	(SBC 711)												310 31955
KIT E	(SBC 714)												310 31958
KIT F	(SBC 715)												310 31959
KIT G	(SBC 716)												310 31961
KIT I	(SBC 717)												310 31963
KIT J	(SBC 718)												310 31996
KIT K	(SBC 719)												310 31997





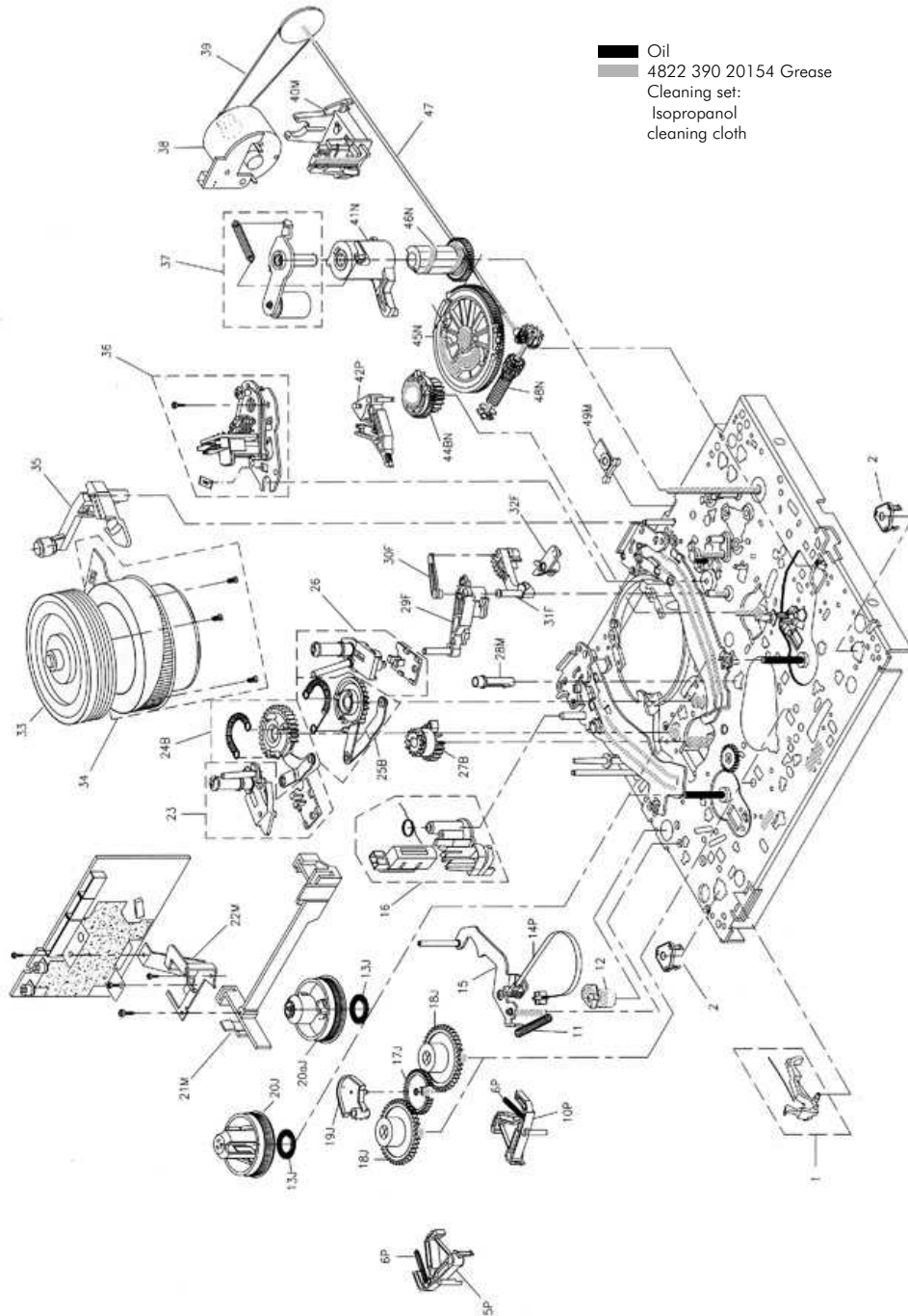
VIDEODECK: PHI - 506

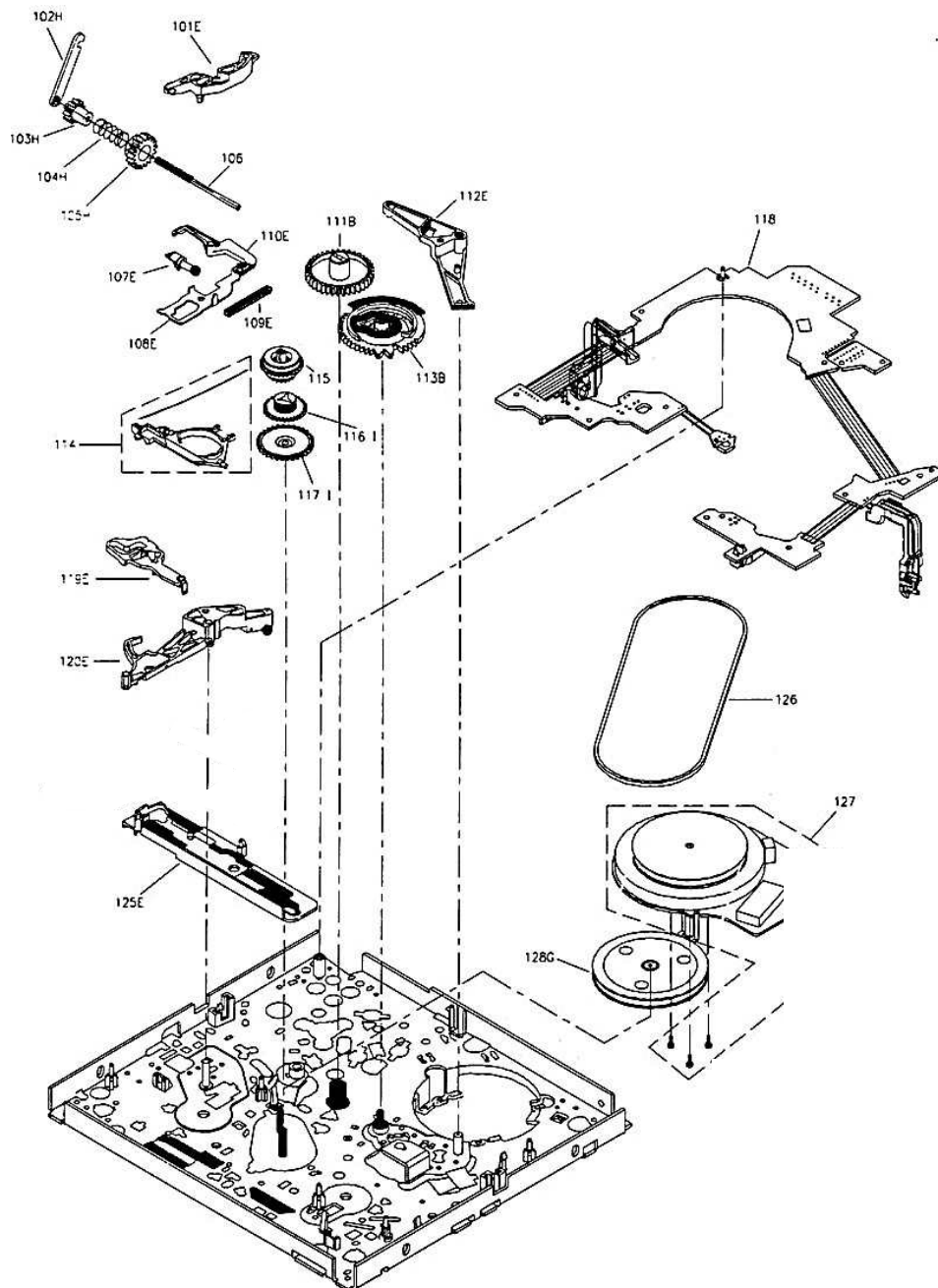
Pos	Description	KIT's									Code number 4822
		A	B	C	D	E	F	G	H	I	
1.	Rec.protection lever (with spring)										403 70546
2.	Chassis mounting spring (2x)										492 71022
3.	Trigger lever				D						
4.	Trigger slider				D						
5.	Main break left				D						
6.	Main break spring (2x)				D						
7.	Soft brake left				D						
8.	Soft brake spring				D						
9.	Soft brake right				D						
10.	Main break right				D						
11.	Tension arm spring										492 33317
12.	Tension crank										403 70551
13.	Slip ring										
14.	Tension band				D						
15.	Tension arm										403 70547
16.	Erase head										249 40293
17.	Swivelling gear				C						
18.	Brake gear (2x)				C						
19.	Swivelling plate				C						
20.	Reel table (S)				C						
21.	Headamplifier holder							G			
22.	Bracket							G			
23.	Roller unit left										528 70771
24.	Loading arm left		B								
25.	Loading arm right		B								
26.	Roller unit right										528 70772
27.	Loading gear		B								
28.	Light prism								G		
29.	Index lever						F				
30.	Reverse clip						F				
31.	Reverse lever						F				
32.	Intermediate lever						F				
33.	Head disc										691 20604
34.	Scanner motor (with screws)										361 21485
35.	Cleaning roller										528 70773
36.	A/C-Head with clip and screws										249 10453
37.	Pressure roller (with spring)										528 70774
38.	Threading motor										361 21486
39.	Threading belt										328 20421
40.	Motor holder							G			
41.	Pressure roller guide							G			
42.	Reverse brake					D					
43.	Reverse brake spring					D					
44.	Slider gear	A	B								
45.	Cam wheel	A									
46.	Cam shaft	A									
47.	Pulley shaft										328 81462

Pos	Description	KIT's									Code number 4822
		A	B	C	D	E	F	G	H	I	
48.	Worm shaft	A									
49.	Chassis mounting clip							G			
101.	Casette loader trigger					E					
102.	Clip							H			
103.	Casette loader gear 1							H			
104.	Casette loader spring							H			
105.	Casette loader gear 2							H			
106.	Spindle										535 93277
107.	Pulse roller					E					
108.	Pulse slider					E					
109.	Pulse slider spring					E					
110.	Pulse lever					E					
111.	Cam wheel reverse		B								
112.	Tension lever					E					
113.	Cam wheel tension		B								
114.	Clutch lever (with spring)										503 70549
115.	Clutch										528 20736
116.	Changing gear								I		
117.	Double gear								I		
118.	Sensor print S-VHS (with stud and rivet)										214 60155
119.	Main slider lever					E					
120.	Cam wheel lever					E					
121.	Slider spring					E					
122.	Clutch slider					E					
123.	Slider lever trigger					E					
124.	Slider lever spring					E					
125.	Main slider					E					
126.	Driving belt										358 31166
127.	Capstan motor (with screws)										361 21484
128.	Gear pulley							G	I		
150.	Lift										443 64112
KIT A	(SBC 710)										310 31954
KIT B	(SBC 711)										310 31955
KIT C	(SBC 712)										310 31958
KIT D	(SBC 713)										310 31959
KIT E	(SBC 714)										310 31961
KIT F	(SBC 715)										310 31963
KIT G	(SBC 716)										310 31996
KIT H	(SBC 717)										310 31997
KIT I	(SBC 718)										310 31997

U obezbedjenju visokog standarda popravke, sa izuzetkom od KIT-a E i KIT-a G u KIT-u su uvek sadr`ani svi delovi za zamenu.

VIDEODECK: PHI - 507



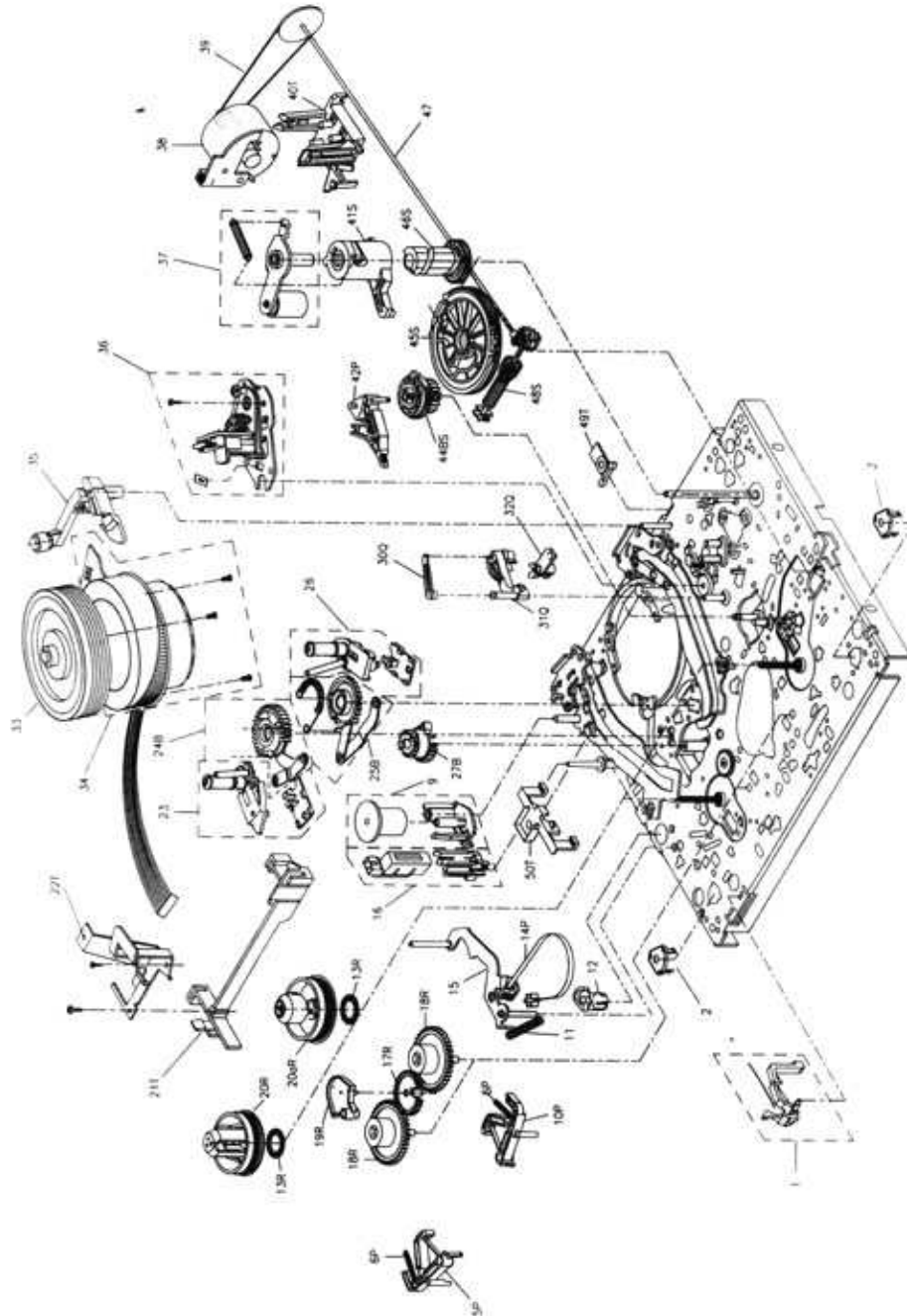


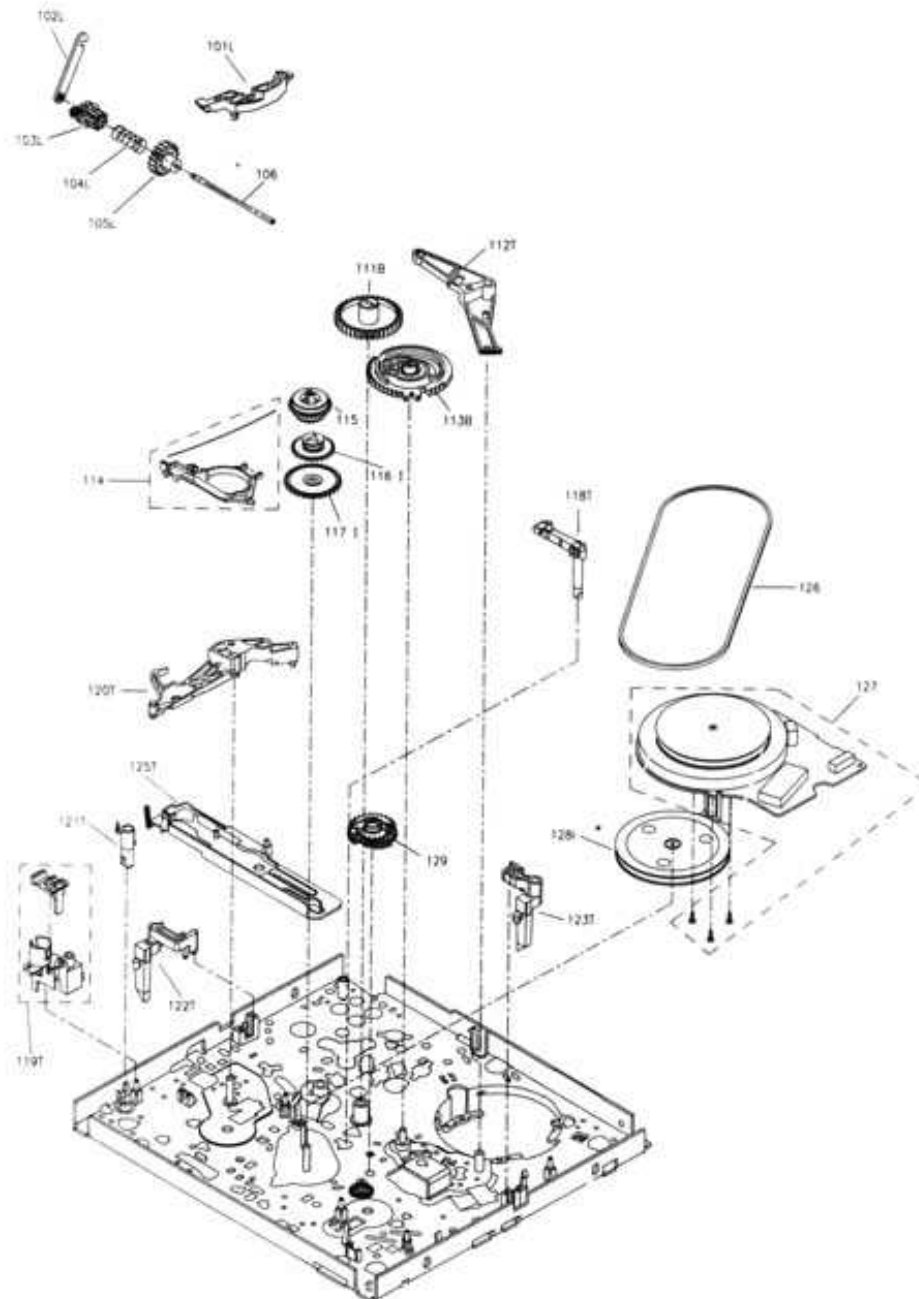
## VIDEODECK: PHI - 507

Pos	Description	KIT's							Code number 4822
		B	I	L	M	P	Q	R	
1.	Rec.protection lever (with spring)								403 70546
2.	Chassis mounting spring (2x)								492 71022
5.	Main break left					P			
6.	Main break spring (2x)					P			
9.	Damping roller *)								528 70782
10.	Main brake right					P			
11.	Tension arm spring								492 33317
12.	Tension crank								403 70551
13.	Slip ring						R		
14.	Tension band					P			
15.	Tension arm								403 70547
16.	Erase head								249 10552
17.	Swivelling gear						R		
18.	Brake gear (2x)						R		
19.	Swivelling plate						R		
20.	Reel table (S)						R		
20a.	Reel table (T)						R		
21.	Headamplifier holder				M				
22.	Bracket				M				
23.	Roller unit left								528 70771
24.	Loading arm left	B							
25.	Loading arm right	B							
26.	Roller unit right								528 70772
27.	Loading gear	B							
28.	Light prism				M				
30.	Reverse clip					Q			
31.	Reverse lever					Q			
32.	Intermediate lever					Q			
33.	Head disc 2/0								691 20926
33.	Head disc 2/0-LP								691 20965
34.	Scanner motor (with screws)								361 21548
35.	Cleaning roller								528 70773
36.	A/C-Head (with clip and screws)								249 10468
37.	Pressure roller (with spring)								528 70774
38.	Loading motor								361 10809
39.	Loading belt								358 20421
40.	Motor holder				M				
41.	Pressure roller guide						S		
42.	Reverse brake					P			
43.	Reverse brake spring								
44.	Slider gear	B					S		
45.	Cam wheel						S		
46.	Cam shaft						S		
47.	Pulley shaft								528 81462
48.	Worm shaft						S		
49.	Chassis mounting clip				M				

Pos	Description	KIT's							Code number 4822
		B	I	L	M	P	Q	R	
101.	Cassette loader trigger			L					
102.	Clip			L					
103.	Cassette loader gear 1			L					
104.	Cassette loader spring			L					
105.	Cassette loader gear 2			L					
106.	Spindle								535 93277
111.	Cam wheel reverse	B							
112.	Tension lever								
113.	Cam wheel tension	B							
114.	Clutch lever (with spring)								503 70549
115.	Clutch								528 20736
116.	Changing gear		I						
117.	Double gear		I						
118.	Sensor print								214 60205
118.	Sensor print *)								212 10601
120.	Cam wheel lever				M				
125.	Main slider				M				
126.	Driving belt								358 31166
127.	Capstan motor (with screws)								361 30442
128.	Gear pulley								
140.	Flex cable								320 40287
150.	Lift								443 64112
KIT B									310 31955
KIT I									310 31963
KIT L									310 32116
KIT M									310 32188
KIT P									310 32191
KIT Q									310 10658
KIT R									310 10659
KIT S									310 10661







## VIDEODECK: PHI - 508

Pos	Description	KIT's								Code number 4822
		B	I	L	P	Q	R	S	T	
1.	Rec.protection lever (with spring)									403 70546
2.	Chassis mounting spring (2x)									492 71022
5.	Main break left				P					
6.	Main break spring (2x)				P					
9.	Damping roller *)									528 70782
10.	Main brake right				P					
11.	Tension arm spring									492 33317
12.	Tension crank									403 70551
13.	Slip ring						R			
14.	Tension band				P					
15.	Tension arm									403 70547
16.	Erase head									249 10552
17.	Swivelling gear						R			
18.	Brake gear (2x)						R			
19.	Swivelling plate						R			
20.	Reel table (S)						R			
20a.	Reel table (T)						R			
21.	Headamplifier holder							T		
22.	Bracket							T		
23.	Roller unit left									528 70771
24.	Loading arm left	B								
25.	Loading arm right	B								
26.	Roller unit right									528 70772
27.	Loading gear	B								
30.	Reverse clip					Q				
31.	Reverse lever					Q				
32.	Intermediate lever					Q				
33.	Head disc 2/0									691 10583
33.	Head disc 2/0-LP									691 10585
33.	Head disc 4/0									691 21011
33.	Head disc 4/0 Secam									691 21012
33.	Head disc 4/2									691 10548
33.	Head disc 4/2 Secam									691 10551
34.	Scanner motor 2/0 (with screws)									361 10963
34.	Scanner motor 4/0 (with screws)									361 10819
34.	Scanner motor 4/2 (with screws)									361 10901
35.	Cleaning roller									528 70773
36.	A/C-Head (with clip and screws)									249 10468
37.	Pressure roller (with spring)									528 70774
38.	Loading motor									361 10809
39.	Loading belt									358 20421
40.	Motor holder								T	
41.	Pressure roller guide							S		
42.	Reverse brake				P					
44.	Slider gear	B						S		
45.	Cam wheel							S		
46.	Cam shaft							S		
47.	Pulley shaft									528 81462
48.	Worm shaft							S		
49.	Chassis mounting clip								T	
50.	WD-holder								T	

Pos	Description	KIT's								Code number 4822
		B	I	L	P	Q	R	S	T	
101.	Casette loader trigger			L						
102.	Clip			L						
103.	Casette loader gear 1			L						
104.	Casette loader spring			L						
105.	Casette loader gear 2			L						
106.	Spindle									535 93277
111.	Cam wheel reverse	B								
112.	Tension lever								T	
113.	Cam wheel tension	B								
114.	Clutch lever (with spring)									503 70549
115.	Clutch									528 20736
116.	Changing gear		I							
117.	Double gear		I							
118.	Sensor print								T	
118.	Sensor print *)								T	
120.	Cam wheel lever								T	
121.	S-VHS lever								T	
122.	Prism rihtg								T	
123.	Prism left								T	
125.	Main slider								T	
126.	Driving belt									358 31166
127.	Capstan motor (with screws)									361 10805
128.	Gear pulley		I							
129.	Reverse kicker with transmission gears *)									522 20451
150.	Lift									443 64112
KIT	B									310 31955
KIT	I									310 31963
KIT	L									310 32116
KIT	P									310 32191
KIT	Q									310 10658
KIT	R									310 10659
KIT	S									310 10661
KIT	T									310 10662