

# FSP-1

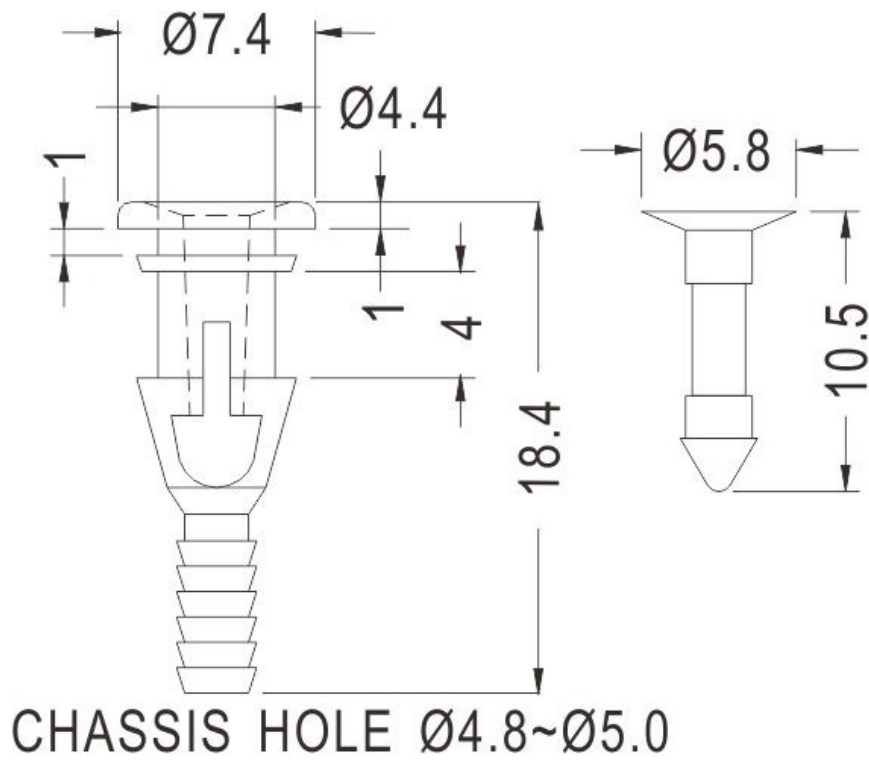


◆PIN MATERIAL:NYLON 66 (UL) 94V-2

◆BODY MATERIAL:TPE

◆COLOR:BLACK

◆UNIT:mm



PART NO	PACKAGE
FSP-1	1000