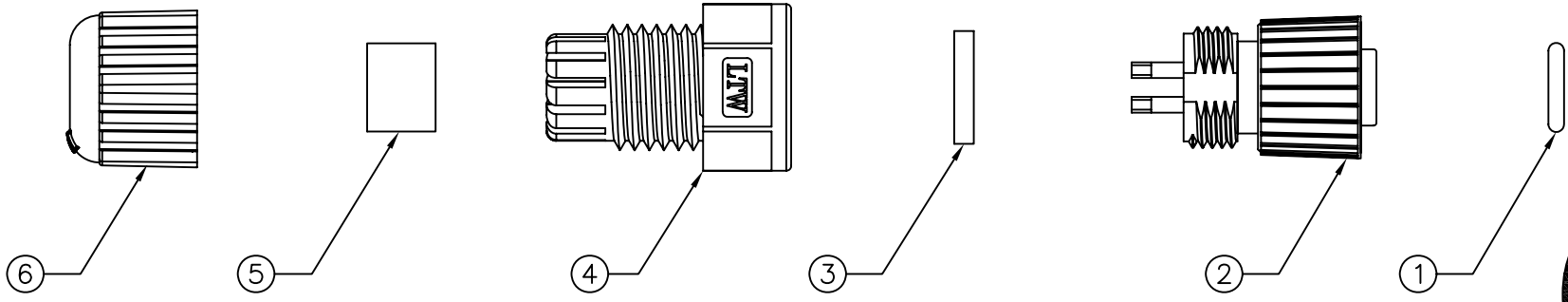
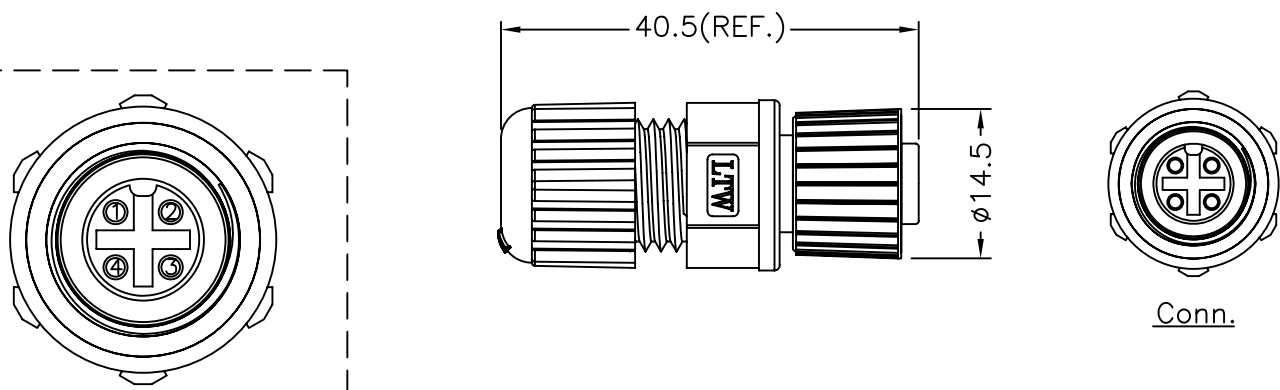


THIS INFORMATION IS CONFIDENTIAL AND IS DISCLOSED TO YOU ON CONDITION THAT NO FURTHER DISCLOSURE IS MADE BY YOU TO OTHER THAN LTW PERSONNEL WITHOUT AUTHORIZATION FROM LTW CORP.

5		6		7		8	
REV.	ECN NO.	DATE	SIGN	DESCRIPTION			



- Note:
- * @C Important Dimension To Check.
 - * Waterproof Rate: IP68
 - * Housing: Black, Nylon+GF
 - * Pin: Copper Alloy, Gold Plated
 - * Nut: Zinc Alloy, Nickel Plated
 - * Ring: Green, Viton
 - * Gasket: Black, EPDM
 - * Clamp Ring: Black, Nylon
 - * Sealing Nut: Black, Nylon
 - * Seal: Black, EPDM
 - * Seal For Cable OD: $\phi 4.5\text{mm} \sim \phi 6.5\text{mm}$



Pin Assignments
Front View

UNIT:mm		TITLE M12 Conn, Assy Screw 4Pin F Conn. F Pin	
TOLERANCE $\pm 0.5 \text{ mm}$	SCALE Free	SHEET 1 OF 1	
REV. A	SIZE A4	QC : Inspection Item	

LTW
亮泰企業股份有限公司

ITEM NO LTW12-04BFFA-SL8001	DRAWN BY Patrick Ian Magat	DATE 2006/12/21
DWG NO LTW12-04BFFA-SL8001	CHECKED BY Alan MJ Sundo	DATE 2006/12/22
CUSTOMER	APPROVED BY Max Hung	DATE 2006/12/22

A B C D E F