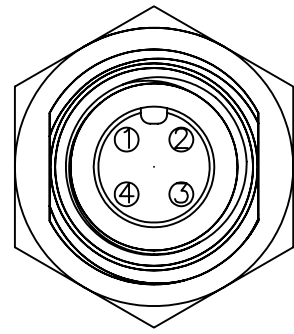
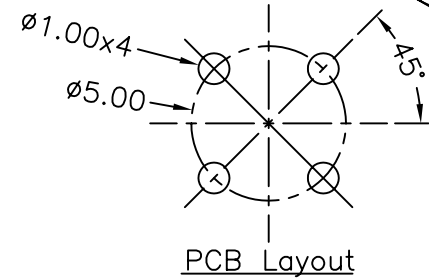
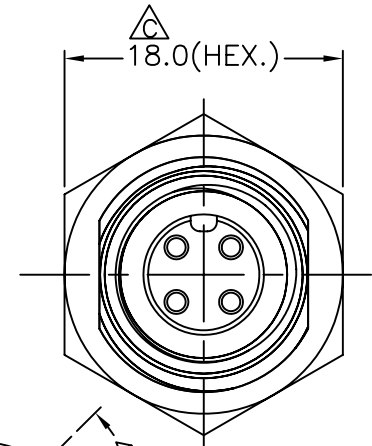
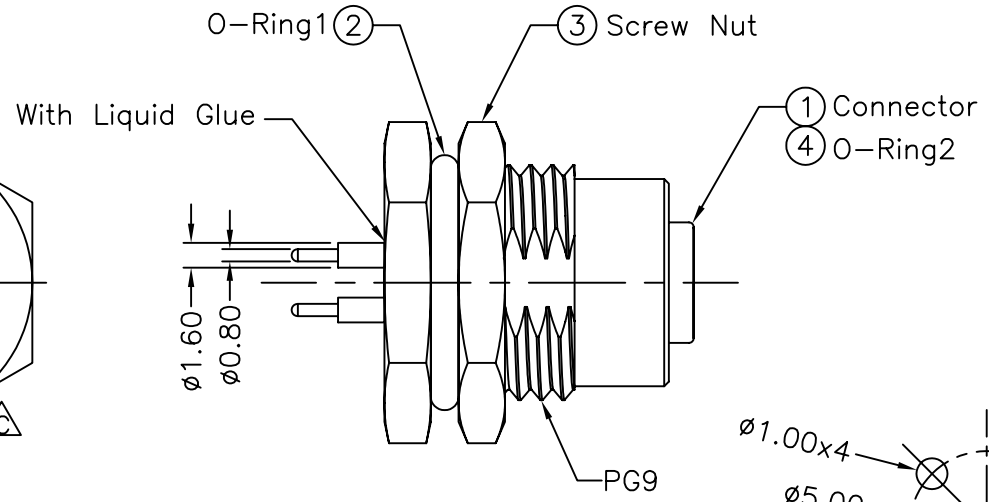
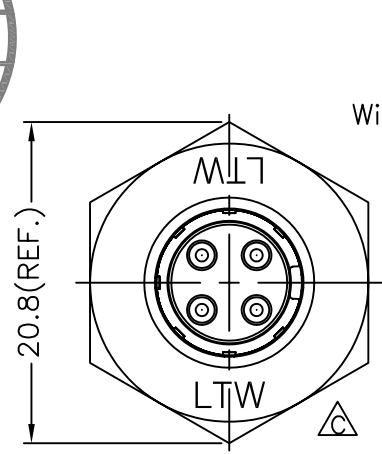


REV.	ECN NO.	DATE	SIGN	DESCRIPTION
B	LEN-7A0015	2007/09/29	Myrdal	Added Note
C	LEN-040043	2010/03/30	Vicky	REF. TO ECR/N.NOTE.

LTW
DCC. DEPT.
CONFIDENTIAL
2010.04.12
ISSUED

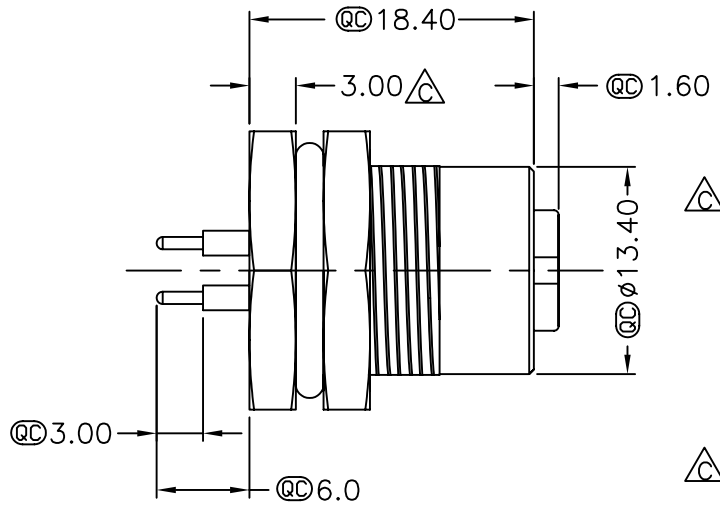
LTW
CONFIDENTIAL
2010.03.30
R&D DEPT.



Pin Assignment
Front View



Recommended Panel Cut-Out



- Note:
- * @C Important Dimension.
 - △* Waterproof Rate: IP68.
IP68: 1M Depth Of Water In 24hours.
 - * Housing: Nylon+GF, Black.
 - * Female Pin: Copper Alloy, Gold Plated.
 - * Shield: Zinc Alloy, Nickel Plated.
 - * Nut: Zinc Alloy, Nickel Plated.
 - * O-Ring1: EPDM, Black.
 - △* O-Ring2: Viton, Green.
 - * For Panel Thickness Max 4.5mm.
 - △* Nut Torque: 4-6 Kgf.cm

UNIT:mm	
TOLERANCE	
.X	±0.25
.XX	±0.1
.XXX	±0.05
ANGLES	±1°

TITLE	M12 Conn	
	Panel Screw 4Pin F Conn F Pin	
SCALE	Free	SHEET 1 OF 1
REV. C	SIZE A4	@C : Inspection Item

LTW
亮泰企業股份有限公司

ITEM NO	LTW12-04PFFP-SF8001
DWG NO	LTW12-04PFFP-SF8001
CUSTOMER	

DRAWN BY	Vicky
CHECKED BY	Simon
APPROVED BY	Lion

DATE	2010/03/30
DATE	2010/03/30
DATE	2010/03/30

THIS INFORMATION IS CONFIDENTIAL AND IS DISCLOSED TO YOU ON CONDITION THAT NO FURTHER DISCLOSURE IS MADE BY YOU TO OTHER THAN LITW PERSONNEL WITHOUT AUTHORIZATION FROM LITW CORP.