

OPERATING INSTRUCTION

CP-09

Smaller sized, convenient-to-use AC Current Clamp-on Adaptor

Introducing

This is 200A AC Clamp-on Adaptor with voltage output via a standard banana inputs to be connected to Multimeter, Power Harmonics, Analyzer, Oscilloscope, or other voltage measurement device

Using the Current Clamp Safely

Warning

To prevent electric shock or fire and personal injury, carefully read all safety information before attempting to operate the Current Clamp and follow these

Procedures:

- Do not use the clamp on circuits rated higher than 600V in Installation Category II. Use caution when clamping around uninsulated conductors or bus bars.
- Do not use a clamp that is cracked, damaged, or has a defective cable. Such clamps should be made inoperative by taping the clamp shut to prevent operation.
- Check the magnetic mating surfaces of the clamp jaws; these should be free of dust, dirt, rust, and other foreign matter.
- Keep your fingers off the clamp jaws.
- Keep your fingers behind the safety barrier as shown in

Safety Information



This symbol, adjacent to another symbol or terminal, indicates the user must refer to the manual for further information.



This symbol, adjacent to a terminal, indicates that, under normal use, hazardous voltages may be present




Double insulation

Specifications

● General Specifications

Output Impedance	<1k Ω
AC Bandwidth	40 to 400Hz
Jaw opening	16 mm
Operating conditions	32°F to 86°F (0°C to 30°C) 90%RH; 86°F to 104°F (30°C to 40°C) 75%RH; 104°F to 122°F (40°C to 50°C) 45%RH

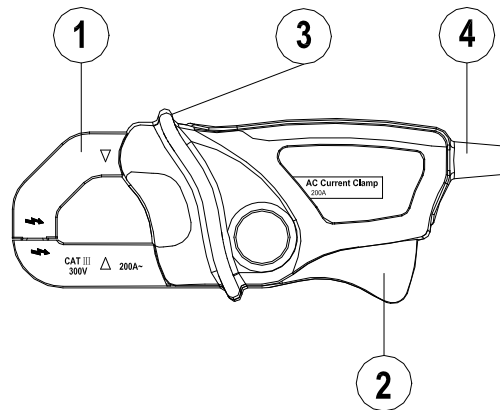
Storage conditions	- 22°F to 140°F (-30°C to 60°C); < 90% Relative Humidity
Altitude	Operate at less than 3000 meters
Weight	129g
Dimensions	111 x 50 x 33mm (HXWXD)
Standards	IEC1010-1 (1995); EN61010-1 (2001) Category II 600V, Category III 300V 

● **Range Specifications**

Function	Range	Output	Sensitivity	Accuracy (of reading)
AC Current (50/60Hz)	0~200A	1mV/A	1A/mV AC	±2.0%±0.5A

Adaptor Description

- 1, Current sense jaw
- 2, Clamp trigger
- 3, Safety barrier
- 4, Voltage output lead



Using the Current Clamp

To use the Current Clamp, follow these instructions:

- 1, Connect the test leads to the output shock of the clamp probe and input shock of the DMM (or other voltage measurement device).
- 2, Turns on the DMM and set it at ACV 200mV or 400mV
- 3, Position the Current Clamp perpendicular to and centered around the conductor.
- 4, Read the measured value from the DMM LCD display.

Example with multimeter for the AC Current Clamp-on Adaptor

Current Clamp sensitivity = 1mV/A. Multimeter displays 100.0mV.

Actual current = display value / sensitivity Current Clamp=100.0mV/1mV/A=100.0A