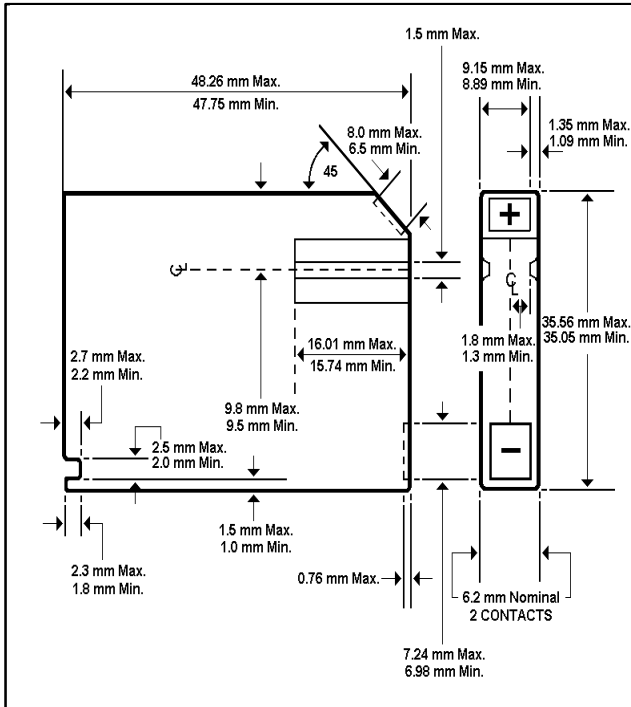


## Alkaline Manganese Dioxide Battery

## 4LR61



### SPECIFICATIONS

<b>Minimum No Load Voltage:</b>	6.2 V
<b>Minimum On Load Voltage:</b>	5.6V on 40Ohms at 1000

<b>Minimum Life</b>	25 H 250 Ohms Hr/Day 3.2 V
---------------------	-------------------------------

<b>Rated Capacity</b>	500 mAh on 1kOhms to 3.2V
-----------------------	------------------------------

<b>Volume</b>	15 cm <sup>3</sup>
---------------	--------------------

<b>Weight</b>	34g
---------------	-----

Physical Size in mm	Max	Min
Height/Length	48.26	47.75
Width/Diameter	35.56	35.06
Depth	9.15	8.89

### Typical Discharge Characteristics

